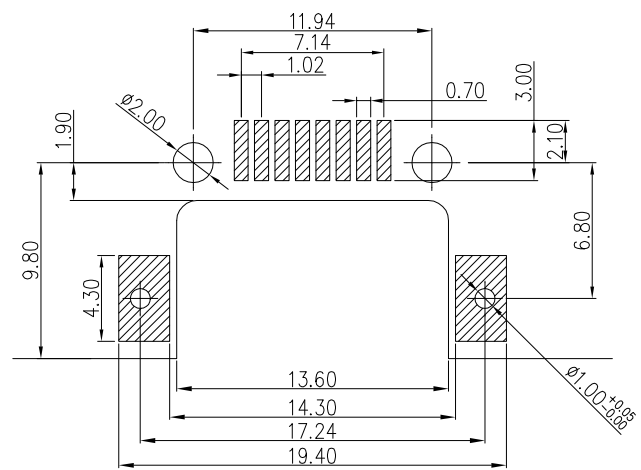
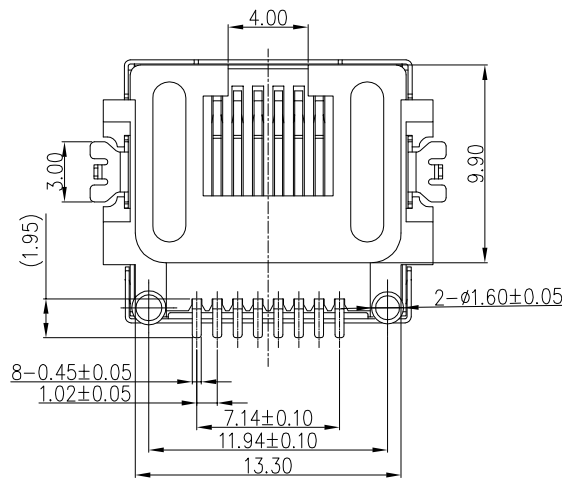
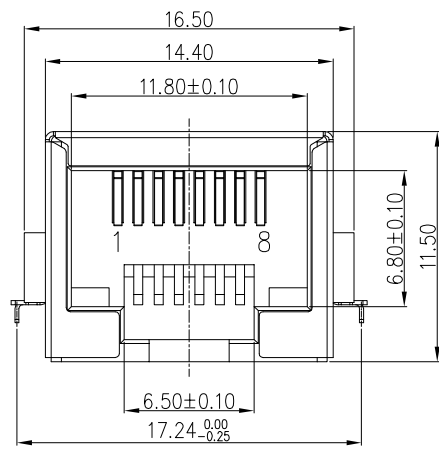
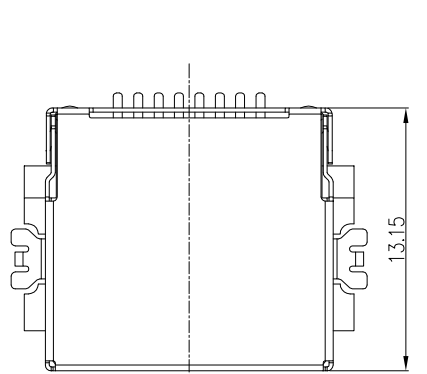
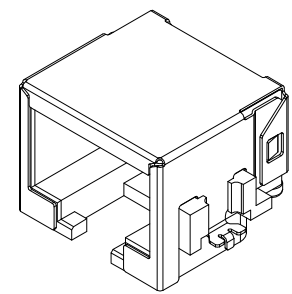
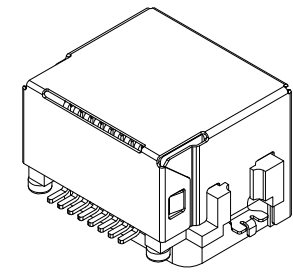


E		F	
修 订	标 记	修 改 描 要	签 名
REV	MARK	REVISION DESCRIPTION	SIGNATURE
NO		NEW DRG	
			日期
			DATE
			2016-03-12

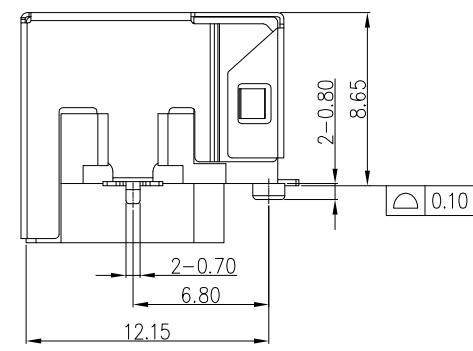
NOTE:

- 1.MATERIAL SPECIFICATION:
 - 1.1 HOUSING:HIGH TEMPERATURE RESISTANT PLASTIC,UL94 V-0.
 - 1.2 CONTACTS:COPPER ALLOY
 - 1.3 SHELL: COPPER ALLOY
- 2.PLATING SPECIFICATION:
 - 2.1 CONTACTS:
 - Ni 50u" MIN. UNDER PLATED OVER ALL.
 - GOLD FLASH PLATING ON CONTACT AREA
 - TIN PLATING ON SOLDER AREA
 - 2.2 SHELL:
 - Ni 30u" MIN. UNDER PLATED OVER ALL.
- 3.MECHANICAL PERFORMANCE,
 - 3.1 INSERTION FORCE: 25N Max.
 - 3.2 DURABILITY: 750 CYCLES.
- 4.ELECTRICAL PERFORMANCE,
 - 4.1 CURRENT RATING:1.5A
VOLTAGE RATING:150 V AC RMS.
 - 4.2 INSULATION RESISTANCE: 1000MΩ MIN
 - 4.3 DIELECTRIC WITHSTAND VOLTAGE,AC 1000V FOR 1 MINUTE.
5. ENVIRONMENTAL PERFORMANCE:
 - OPERATING TEMPERATURE: -40°C~+80°C.
- 6.IR REFLOW:
 - THE PEAK TEMPERATURE ON THE BOARD SHALL BE MAINTAINED FOR 10 SECONDS AT 260°C.

PIN	Name	Description
1	TX+	Trancelive Data+(发信号+)
2	TX-	Trancelive Data-(发信号-)
3	RX+	Receive Data+(收信号+)
4	N/C	Not connected(空脚)
5	N/C	Not connected(空脚)
6	RX-	Receive Data-(收信号-)
7	N/C	Not connected(空脚)
8	N/C	Not connected(空脚)



RECOMMENDED P.C.B. LAYOUT
GENERAL TOLERANCE:±0.05

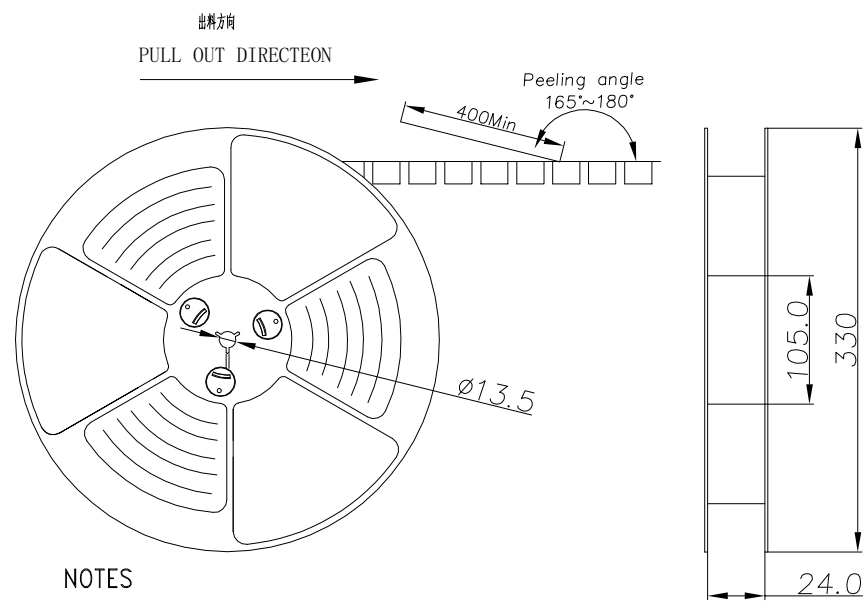




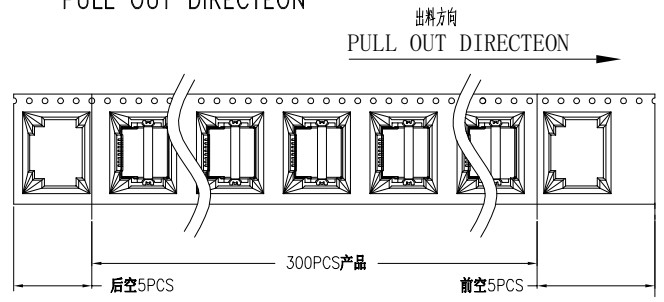
深圳市华德共创科技有限公司
Shenzhen Huade co-create Technology Co.,LTD
电话：0755-27111216 传真：0755-29940187

-TOLERANCES- UNLESS OTHERWISE SPECIFIED 公差参数表		TITLE: 产品名称: RJ45沉板8.6全包 SMT	
X.X ±0.30	X.X* ±3°	APPD: 核准:	PART NO: 产品编号: RJ45-DB-101PWB
X.XX ±0.20	X.XX* ±2°	CHECK: 校对: 王建业	DATE
X.XXX ±0.10	X.XXX* ±1°	DRAW: 绘图: 黄艳兰	SCALE
			UNIT
			CODE NUMBER
			2018-03-12
			1:1
			mm
			A001

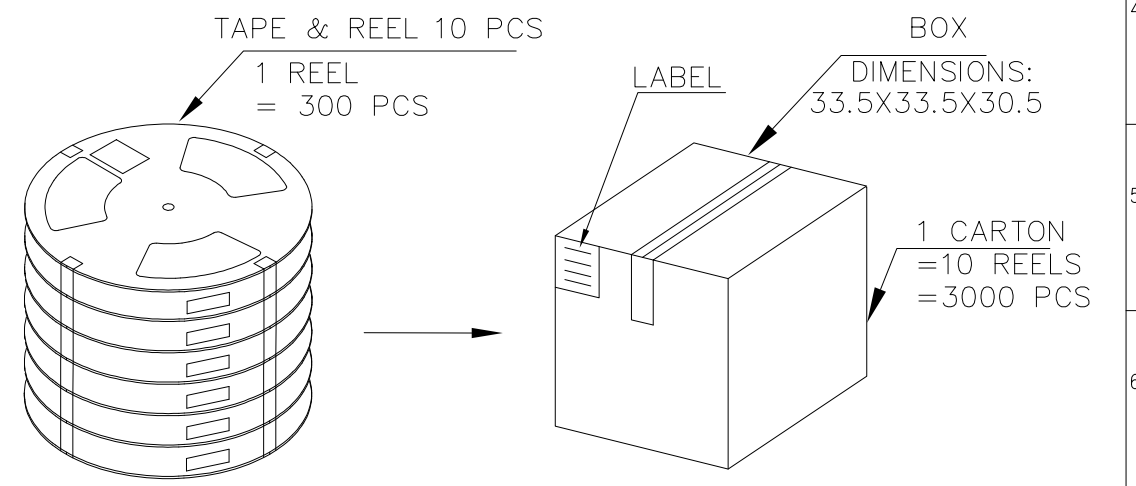
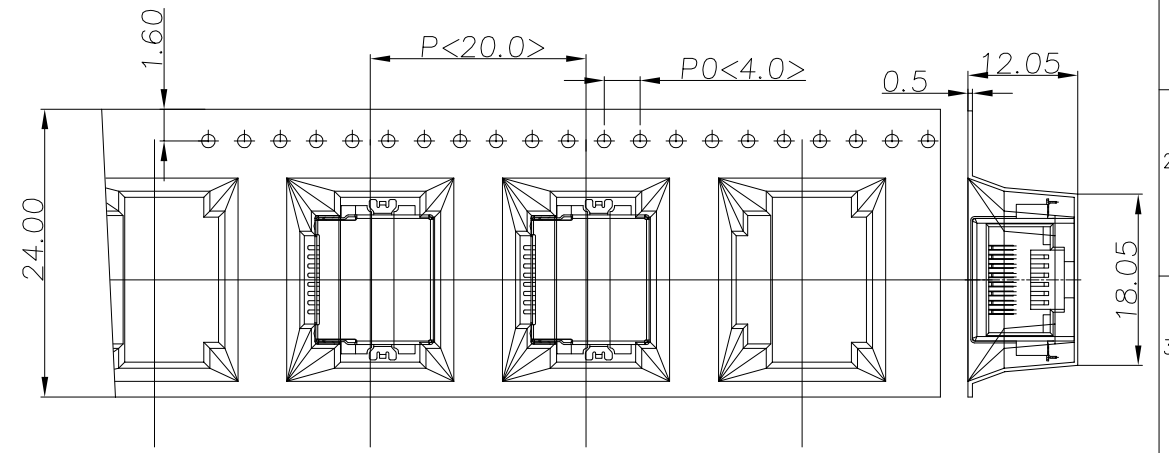
修订	标记	修改摘要	签名	日期
REV	MARK	REVISION DESCRIPTION	SIGNATURE	DATE
AO		NEW DRG		2016-03-12



1. 帶子引導長度
LEAD TAPE LENGTH
出料方向
PULL OUT DIRECTEON



2. 上帶 剝力力為: 0.1~1.3N(10.2gf~130gf)
PEELING OFF FORCE OF TOP TAPE: 0.1~1.3N(10.2gf~130gf)
出貨 運輸過程中一定注意:
THIS REQUIREMENT SHOULD BE APPLIED AT SHIPMENT:
卷帶在運輸過程中不能散開
PEELING OFF SHOULD NOT BE ALLOWED DURING TRANSPORTATION



深圳市华德共创科技有限公司
Shenzhen Huade co-create Technology Co., LTD
电话: 0755-27111216 传真: 0755-29940187

-TOLERANCES- UNLESS OTHERWISE SPECIFIED 公差参数表		TITLE: 产品名称: RJ45沉板8.6全包 SMT	
X.X ±0.30	X.X* ±3°	APPD: 核准:	PART NO: 产品编号: RJ45-DB-101PWB
X.XX ±0.20	X.XX* ±2°	CHECK: 校对: 王建业	DATE SCALE UNIT CODE NUMBER
X.XXX ±0.10	X.XXX* ±1°	DRAW: 绘图: 黄艳兰	2018-03-12 1:1 mm A001