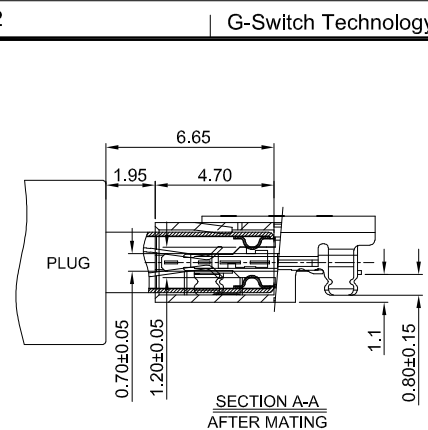
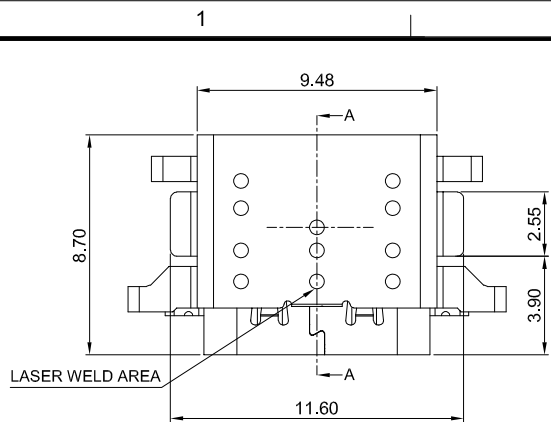


A

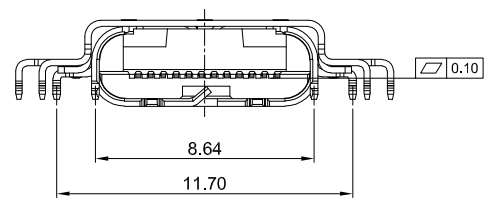
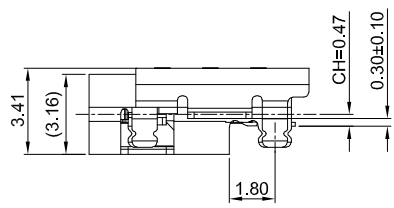
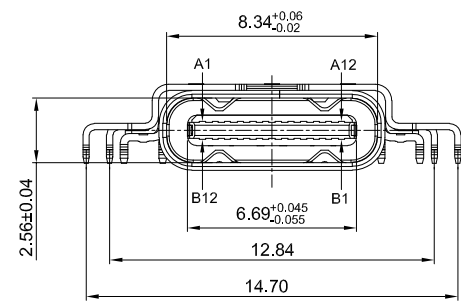


CONTACT AREA	MOLDE CODE
Au1u"	GT-USB-9088C-01
Au3u"	GT-USB-9088C-03
Au5u"	GT-USB-9088C-05
Au15u"	GT-USB-9088C-15
Au30u"	GT-USB-9088C-30



A

B



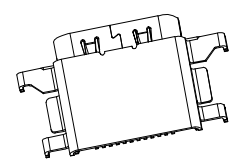
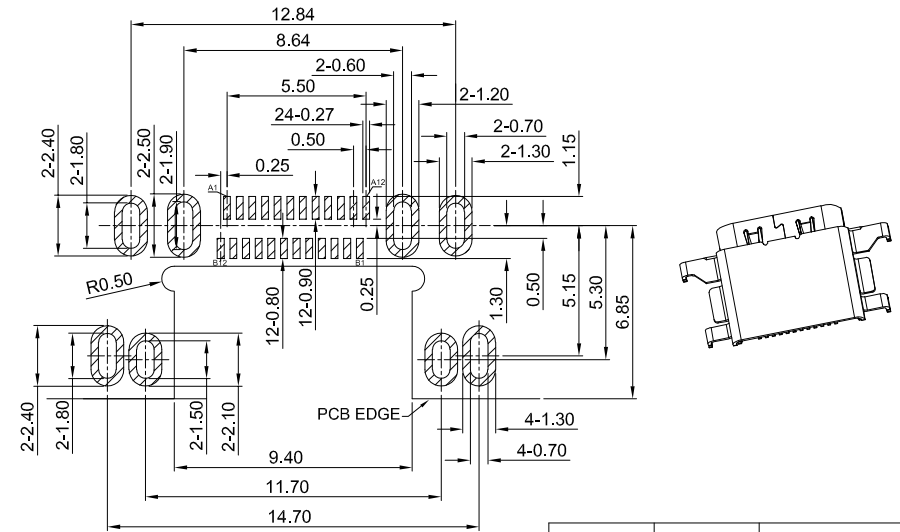
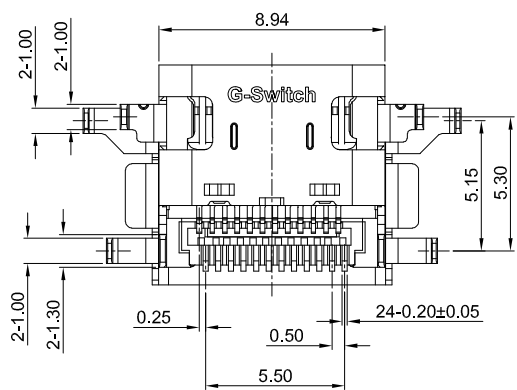
G-Switch USB-C Specification:

- Current rated: 10A on vbus/1.25A on vconn/0.25A on other
- Voltage rating: 48V AC
- Withstanding voltage: 100V AC/minute
- Contact resistance: 40mΩ Max
- Insulation resistance: 100MΩ Min
- Operating temperature: -40°C ~ +85°C
- Mating force: 5N~20N
- Unmating force: 8N~20N, after durability test: 6N~20N
- Durability cycle: 10,000 cycles
- Data transmission rate up to 40Gbps
- Compliant with: IEC62680-1-3

B

品赞电子 (东莞) 有限公司

D



A1	A2	A3	A4	A5	A6	A7	A8	A9	A10	A11	A12
GND	TX1+	TX1-	VBUS	CC1	D+	D-	SBU1	VBUS	RX2-	RX2+	GND
First	Second	Second	First	Second	Second	Second	Second	First	Second	Second	First

B12	B11	B10	B9	B8	B7	B6	B5	B4	B3	B2	B1
GND	RX1+	RX1-	VBUS	SBU2	D-	D+	CC2	VBUS	TX2-	TX2+	GND
First	Second	Second	First	Second	Second	Second	Second	First	Second	Second	First

D

E

NO.	PARTS	MATERIAL	REMARKS
1	SHELL	STAINLESS STEEL 304	Ni30u"MIN PLATED
2	MID PLATE	STAINLESS STEEL 301	--
3	HOUSING	PA9T	BLACK UL 94V-0
4	TERMINALS	COPPER ALLOY C18140	Au PLATED ON CONTACT AREA G/F PLATED ON SOLDER AREA
5	OUT SHELL	STAINLESS STEEL 304	Ni30u"MIN PLATED

PCB REFERENCE DIAGRAM
TOLERANCE:±0.05



SCALE: 1:1 UNIT: mm
SIZE: A4

Unless otherwise General Tolerance:
X. ±0.40
X.x ±0.30
X.xx ±0.20
X.xxx ±0.10
X" ±5°

Title: Horizontal Type-C 24P Female SMT
Mid-Mount 1.1 CH=0.47 L=8.7mm

Molde Code: GT-USB-9088C-03			
DRAWN	CHECKED	APPROVED	DATE
Wu	Xia	Chen	2025.02.07

品赞科技
b-Switch
www.dg-switch.com

REV: A0 SHEET: 1/1

E