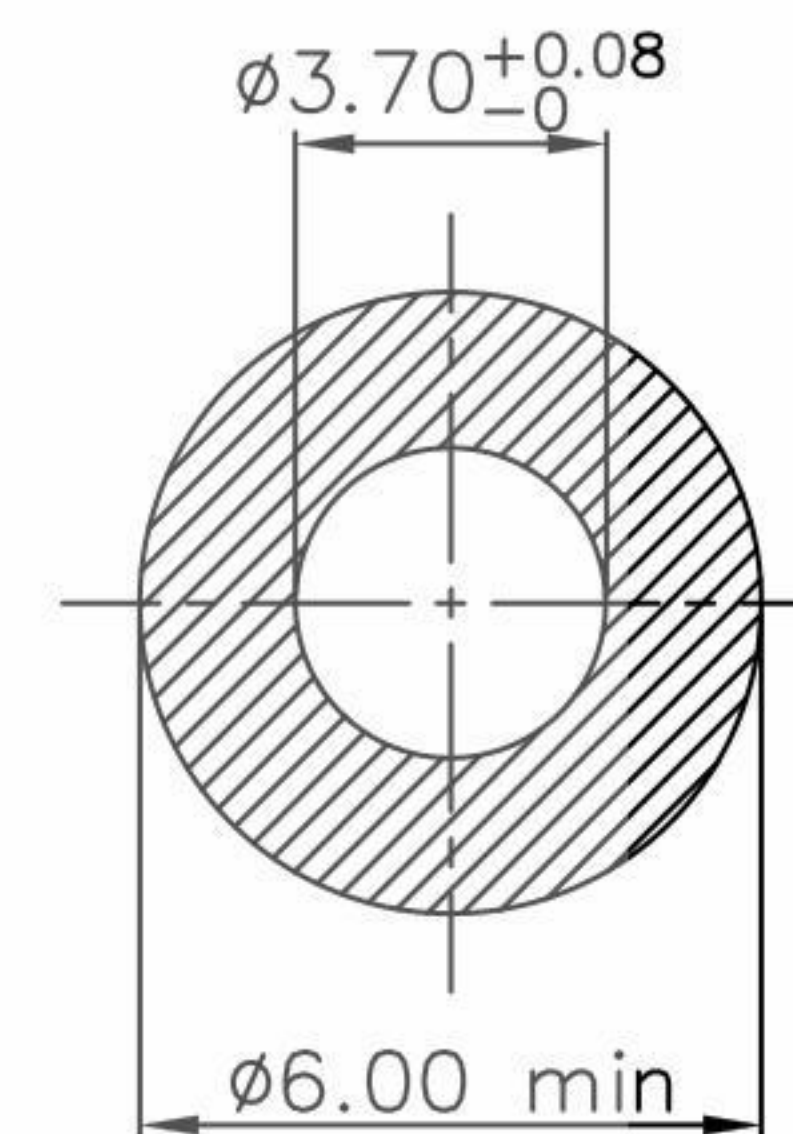
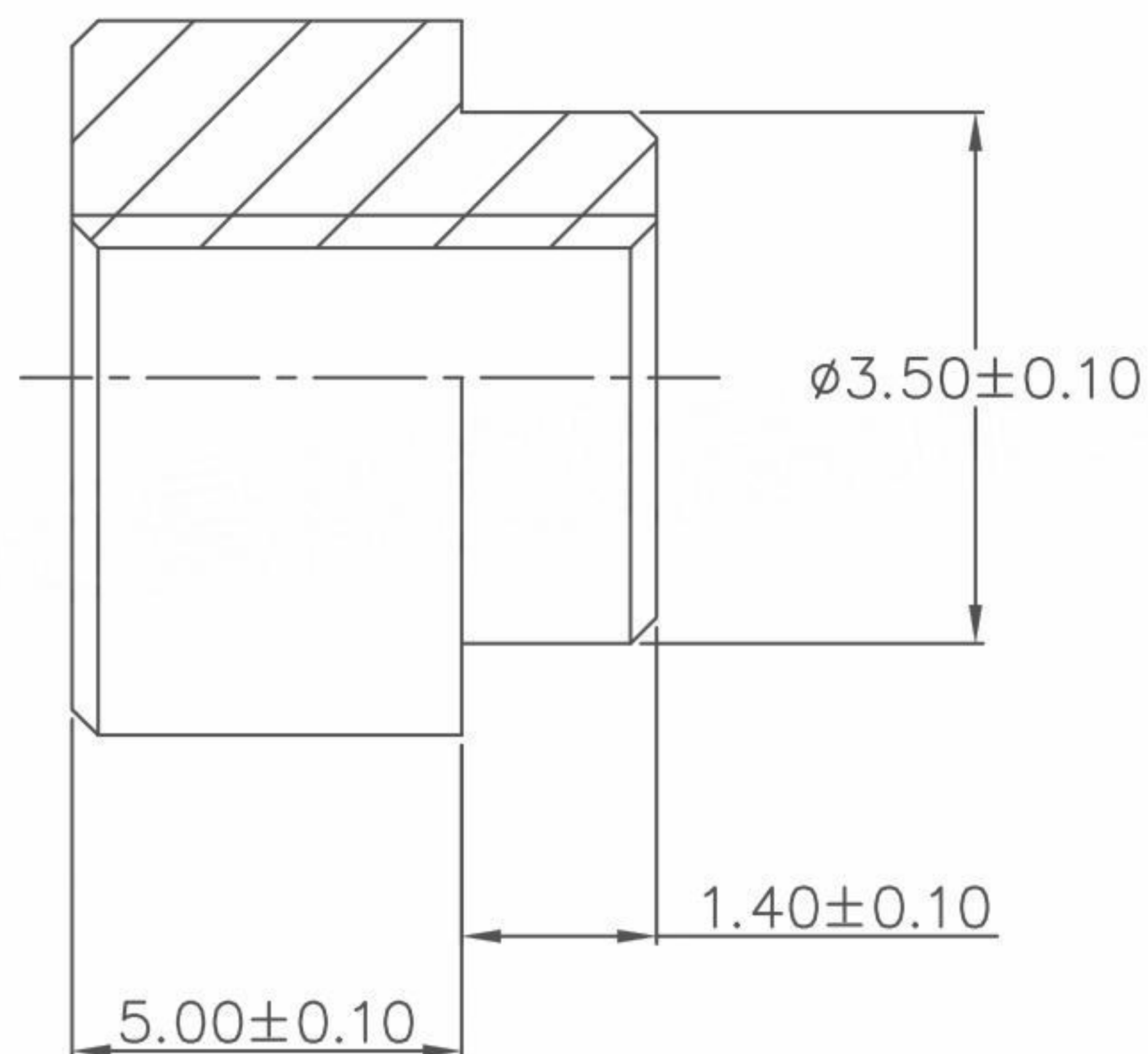
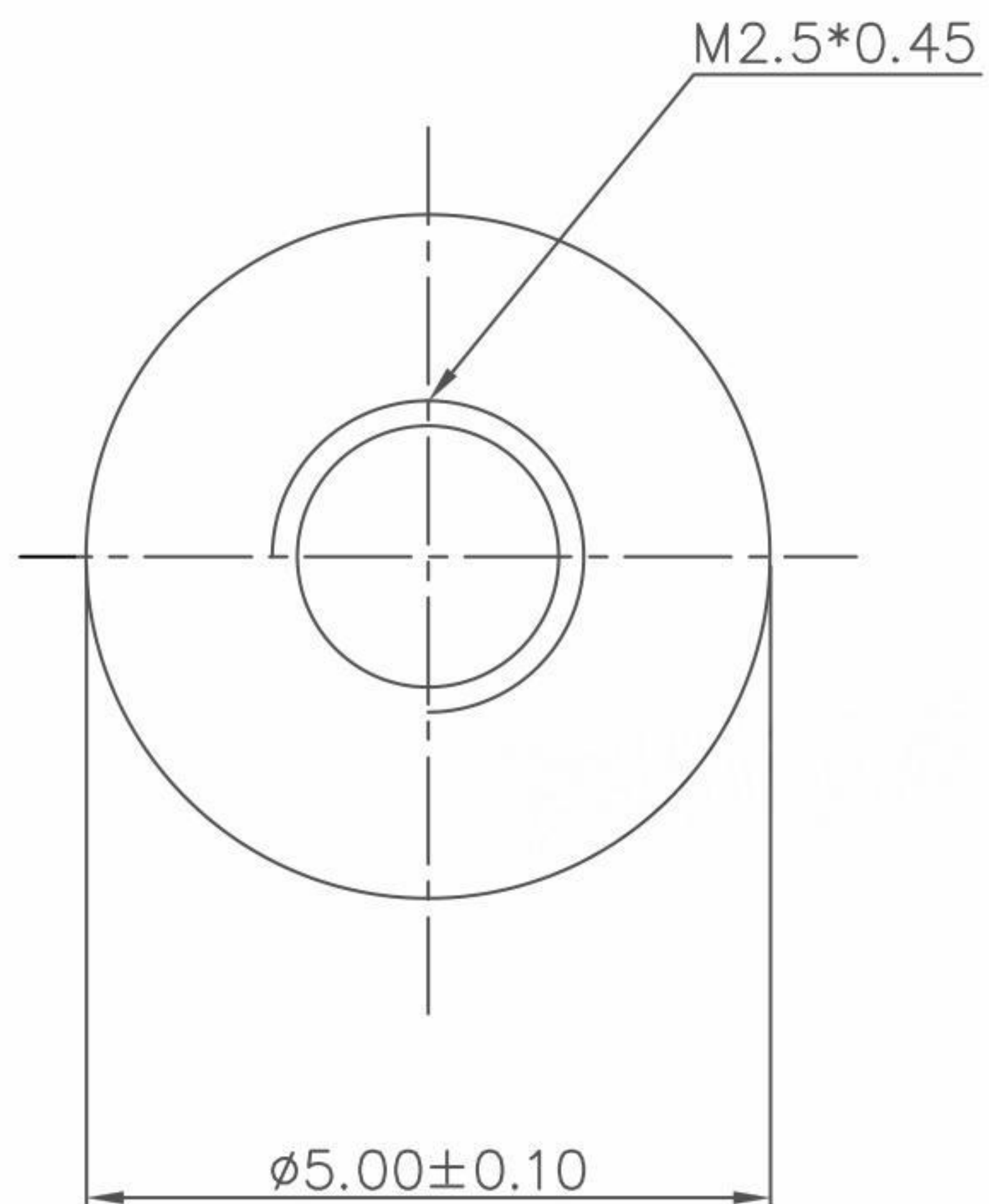


本图纸由深圳市雄和远景科技发展有限公司发布，版权归深圳市雄和远景科技发展有限公司所有，未经深圳市雄和远景科技发展有限公司同意，不得复制或转载或披露任何内容给任何第三方。

SMTWE®

RoHS
Compliant



PCB LAYOUT

REVISION RECORD				SCOPE		Sinhoo 深圳市雄和远景科技发展有限公司 Shenzhen Sinhoo Science Technology Development Co.,LTD	
DATE	NEW REVISION	REVISION PERSON	REVISION DETAILED	X.	±0.20	X.*	±4°
/	/	/	/	.X	±0.10	.X*	±2°
				.XX	±0.05	.XX*	±1°
				Package Type:		Steel 1215	Unit: mm
				Reel package		Finish:	Material:
				Quantity/reel: pcs		Tin	Steel 1215
						Custom Confirm:	
						DATE:	
						APPD: Alan Wu	
						DATE: 2018/06/08	
						DRAMN: Leon Wang	
						DATE: 2018/06/08	
						BASED ON: SMTWE®	
						STANDARD REFER: CUSTOM DWG	
						SCALE: /	
						SHEEER:1 OF 1	

REVISION

REVISION

A

A

REVISION

REVISION

REVISION

REVISION

REVISION

A

A

A

A

A

A

A

A

A

A

A

A

A

A

A

A

A

A

A

A

A

A

A

A

A

A

A

A

A

A

A

A

A

A

A

A

A

A

A

A

A

A

A

A

A

A

A

A

A

A

A

A

A

A

A

A

A

A

A

A

A

A

A

A

A

A

A

A

A

A

A

A

A

A

A

A

A

A

A

A

A

A

A

A

A

A

A

A

A

A

A

A

A

A

A

A

A

A

A

A

A

A

A

A

A

A

A

A

A

A

A

A

A

A

A

A

A

A

A

A

A

A

A

A

A

A

A

A

A

A

A

A

A

A

A

A

A

A

A

A

A

A

A

A

A

A

A

A

A

A

A

A

A

A

A

A

A

A

A

A

A

A

A

A

A

A

A

A

A

A

A

A

A

A

A

A

A

A

A

A

A

A

A

A

A

A

A

A

A

A

A

A

A

A

A

A

A

A

A

A

A

A

A

A

A

A

A

A

A

A

A

A

A

A

A

A

A

A

A

A

A

A

A

A

A

A

A

A

A

A

A

A

A

A

A

A

A

A

A

A

A

A

A

A

A

A

A

A

A

A

A

A

A

A

A

A

A

A

A

A

A

A

A

A

A

A

A

A

A

A

A

A

A

A

A

A

A

A

A

A

A

A

A

A

A

A

A

A