

3-520117-2 ✓ ACTIVE

Ultra-Fast | Ultra-Fast 250

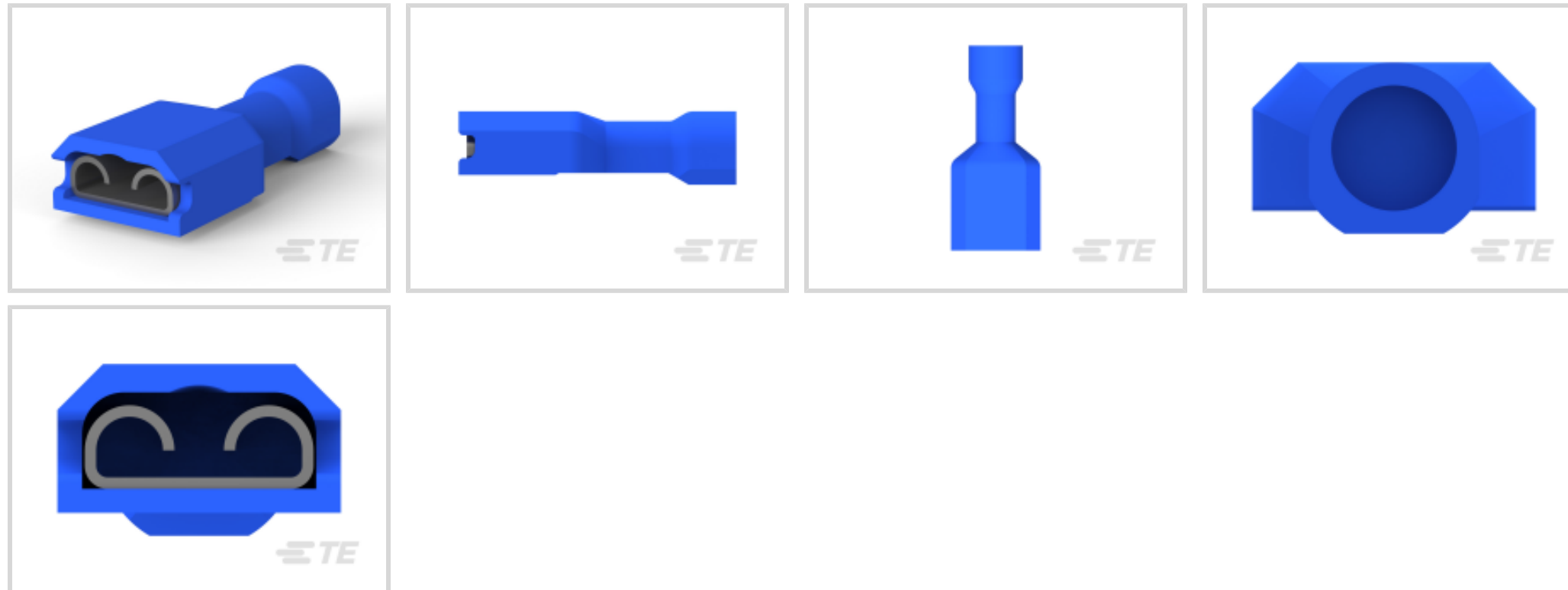
TE Internal #: 3-520117-2

Quick Disconnect Receptacle, 16 – 14 AWG, 1.31 – 2.08 mm² Wire, 6.35 mm [.25 in] Tab Width, Straight, Phosphor Bronze, Tin Plating, Ultra-Fast 250

[View on TE.com >](#)



Terminals & Splices > Quick Disconnects



Quick Disconnect Terminal Type: **Receptacle**

Wire Size: 1.31 – 2.08 mm²

Mating Tab Width: 6.35 mm [.25 in]

Mating Tab Thickness: .81 mm [.032 in]

Features

Industry Standards

Compatible With Agency/Standards Products	UL
UL Flammability Rating	UL 94V-2

Termination Features

Product Terminates To	Wire & Cable
-----------------------	--------------

Configuration Features

Compatible With Wire & Cable Type	Discrete Wire
Connection Capacity	Single

Electrical Characteristics

Voltage Rating	600 V
----------------	-------

Body Features

Insulation Material	Nylon
---------------------	-------

Mechanical Attachment

Wire Insulation Support	With
Mating Retention Type	Dimple



Other

Barrel Color	Blue
EU RoHS Compliance	Compliant
EU ELV Compliance	Compliant

Product Type Features

Terminal Features	Wire Stop
Insertion Force	Normal

Packaging Features

Packaging Quantity	1000
Packaging Method	Loose Piece/Carton

Dimensions

Product Length	21.75 mm[.855 in]
Compatible Insulation Diameter Range	4.06 mm[.16 in]
Terminal Material Thickness	.41 mm[.016 in]
Wire Size	1.31 – 2.08 mm ²

Contact Features

Quick Disconnect Terminal Type	Receptacle
Mating Tab Width	6.35 mm[.25 in]
Mating Tab Thickness	.81 mm[.032 in]
Terminal Orientation	Straight
Contact Base Material	Phosphor Bronze
Terminal Plating Material	Tin
Crimp Type	F-Crimp
Barrel Type	Closed

Usage Conditions

Insulation Option	Fully Insulated
Operating Temperature Range	-40 – 110 °C[-40 – 230 °F]

Product Compliance

For compliance documentation, visit the product page on [TE.com](https://www.te.com)>

EU RoHS Directive 2011/65/EU	Compliant
EU ELV Directive 2000/53/EC	Compliant



China RoHS 2 Directive MIIT Order No 32, 2016	No Restricted Materials Above Threshold
EU REACH Regulation (EC) No. 1907/2006	Current ECHA Candidate List: JUNE 2024 (241) Candidate List Declared Against: JUNE 2024 (241) Does not contain REACH SVHC
Halogen Content	Low Halogen - Br, Cl, F, I < 900 ppm per homogenous material. Also BFR/CFR/PVC Free
Solder Process Capability	Not applicable for solder process capability

Product Compliance Disclaimer

This information is provided based on reasonable inquiry of our suppliers and represents our current actual knowledge based on the information they provided. This information is subject to change. The part numbers that TE has identified as EU RoHS compliant have a maximum concentration of 0.1% by weight in homogenous materials for lead, hexavalent chromium, mercury, PBB, PBDE, DBP, BBP, DEHP, DIBP, and 0.01% for cadmium, or qualify for an exemption to these limits as defined in the Annexes of Directive 2011/65/EU (RoHS2). Finished electrical and electronic equipment products will be CE marked as required by Directive 2011/65/EU. Components may not be CE marked. Additionally, the part numbers that TE has identified as EU ELV compliant have a maximum concentration of 0.1% by weight in homogenous materials for lead, hexavalent chromium, and mercury, and 0.01% for cadmium, or qualify for an exemption to these limits as defined in the Annexes of Directive 2000/53/EC (ELV). Regarding the REACH Regulation, the information TE provides on SVHC in articles for this part number is based on the latest European Chemicals Agency (ECHA) 'Guidance on requirements for substances in articles' posted at this URL: <https://echa.europa.eu/guidance-documents/guidance-on-reach>

Compatible Parts

TE Part # 58628-1
PROCRIMP T&D 26-14 ULTRAFast

TE Part # 90391-3
DIES ULTRA-FAST FASTON 16-14 DIE SET

TE Part # 2217481-2
KIT, BTLI, SDE CLOSED HEAD

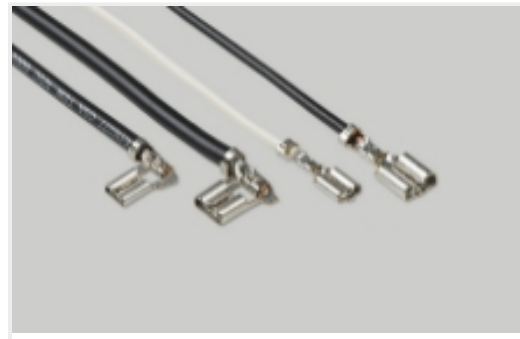
TE Part # 2217481-1
KIT, BTLI, SDE CLOSED HEAD

TE Part # 58628-2
PROCRIMP DIESET 26-14 ULTRAFast

Also in the Series | **Ultra-Fast 250**



Automotive Housings(3)



Quick Disconnects(49)

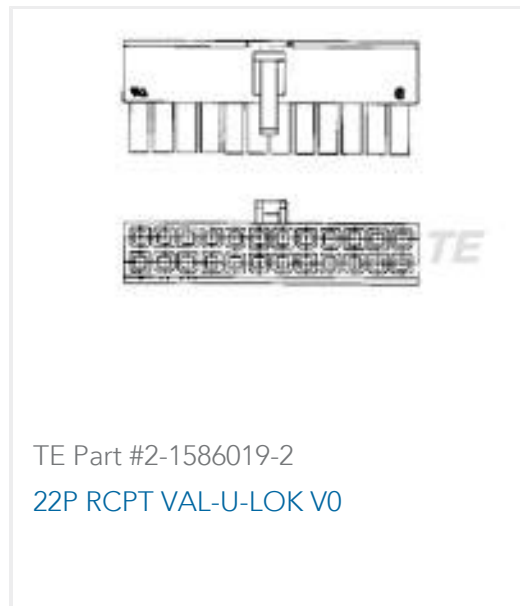
Customers Also Bought



TE Part #1879217-7
CPF 0603 240K 0.1% 25PPM 1K RL



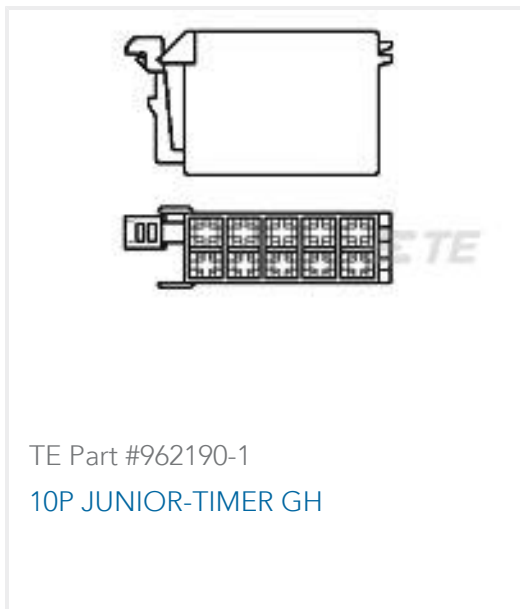
TE Part #1-111504-5
014 UNIV I/O 30DP NO EARS LTCH



TE Part #2-1586019-2
22P RCPT VAL-U-LOK V0



TE Part #2-1903131-0
DYNAMIC 1200D TAB HSG 20P P/M BLACK Y



TE Part #962190-1
10P JUNIOR-TIMER GH



TE Part #3-178136-5
DYNAMIC D-3200 V-HDR ASSY 3P Z



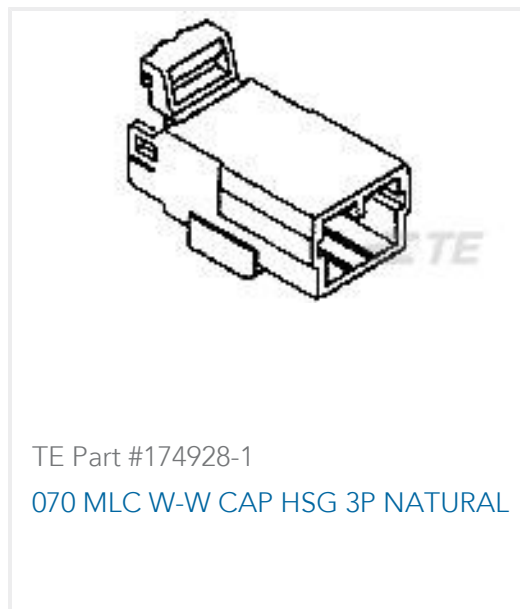
TE Part #1011-030-0205
CLIP, PA66, BLK, T-STUD, ST



TE Part #4367790003
ES-CAP-NO.2-B9-0-35MM



TE Part #5677642003
RNF-3000-6/2-2-STK



TE Part #174928-1
070 MLC W-W CAP HSG 3P NATURAL

Documents

Product Drawings

[ULTRAFast 250 ASSY REC 16-14 TPBR LP](#)

English

CAD Files

[3D PDF](#)

3D

[Customer View Model](#)

[ENG_CVM_CVM_3-520117-2_F.2d_dxf.zip](#)



English

Customer View Model

[ENG_CVM_CVM_3-520117-2_F.3d_igs.zip](#)

English

Customer View Model

[ENG_CVM_CVM_3-520117-2_F.3d_stp.zip](#)

English

By downloading the CAD file I accept and agree to the [Terms and Conditions](#) of use.

Datasheets & Catalog Pages

[Ultra-Fast and Ultra Fast Plus](#)

English

Product Specifications

[Application Specification](#)

English

Agency Approvals

[UL](#)

English