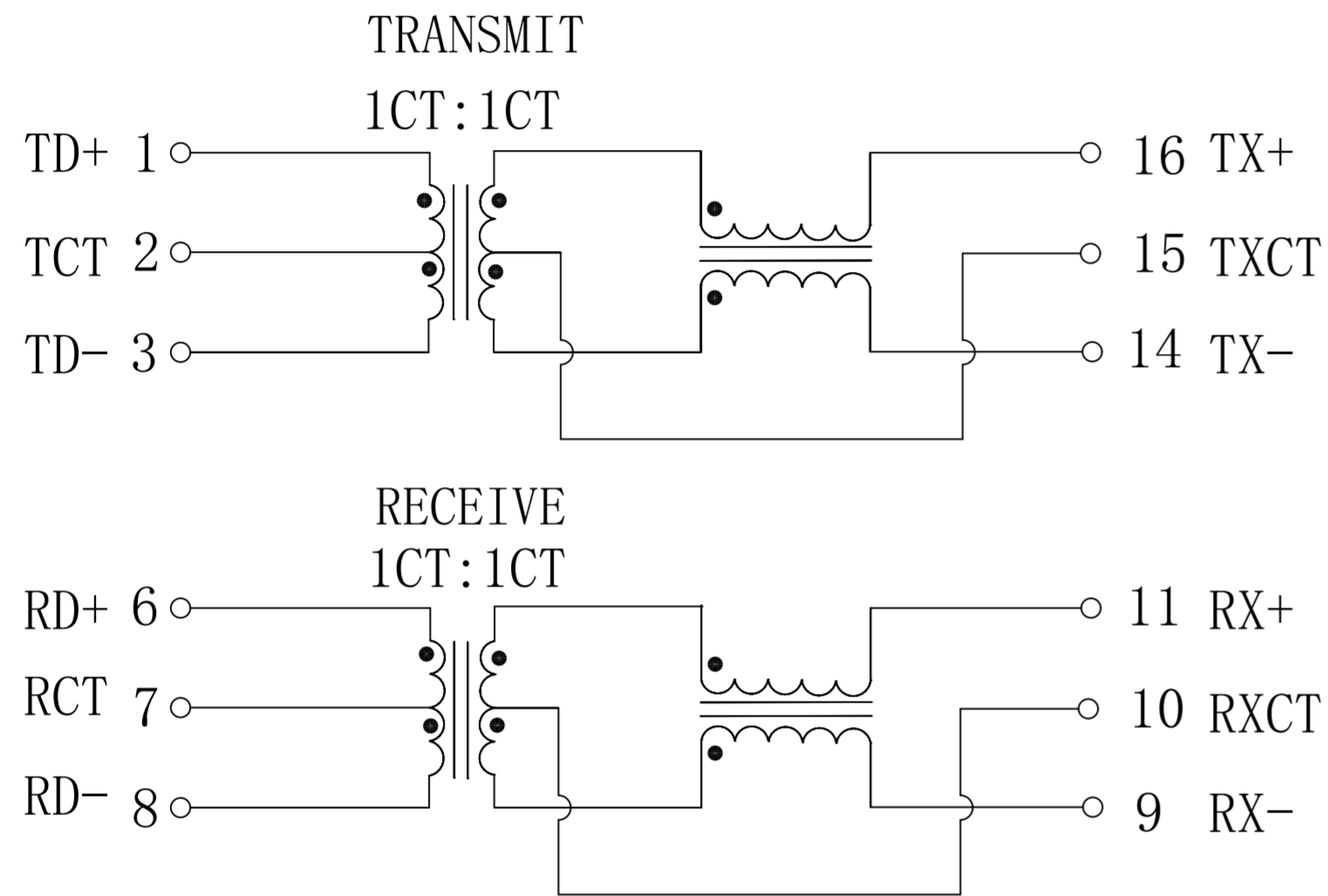


Schematic:



REV.	ECN NO.	DESCRIPTION	DATE	APPD
A	REL	H5.10	2019-01-19	
B6	REL	H5.70	2023-02-19	

Electrical Specifications @25°C

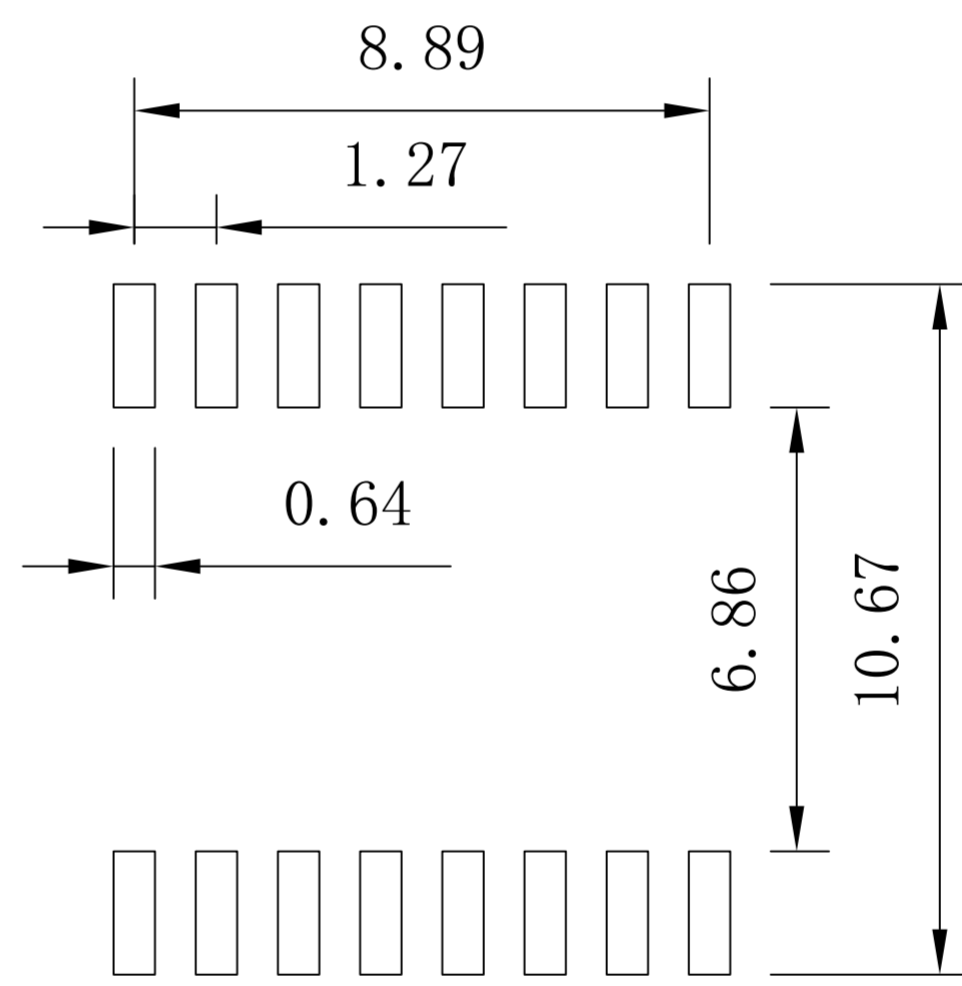
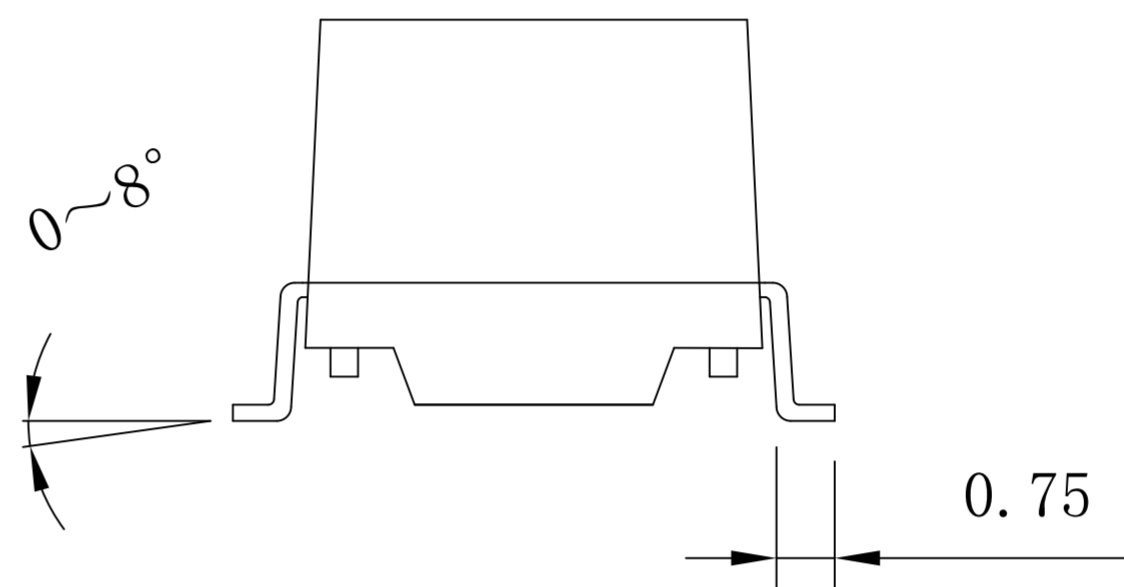
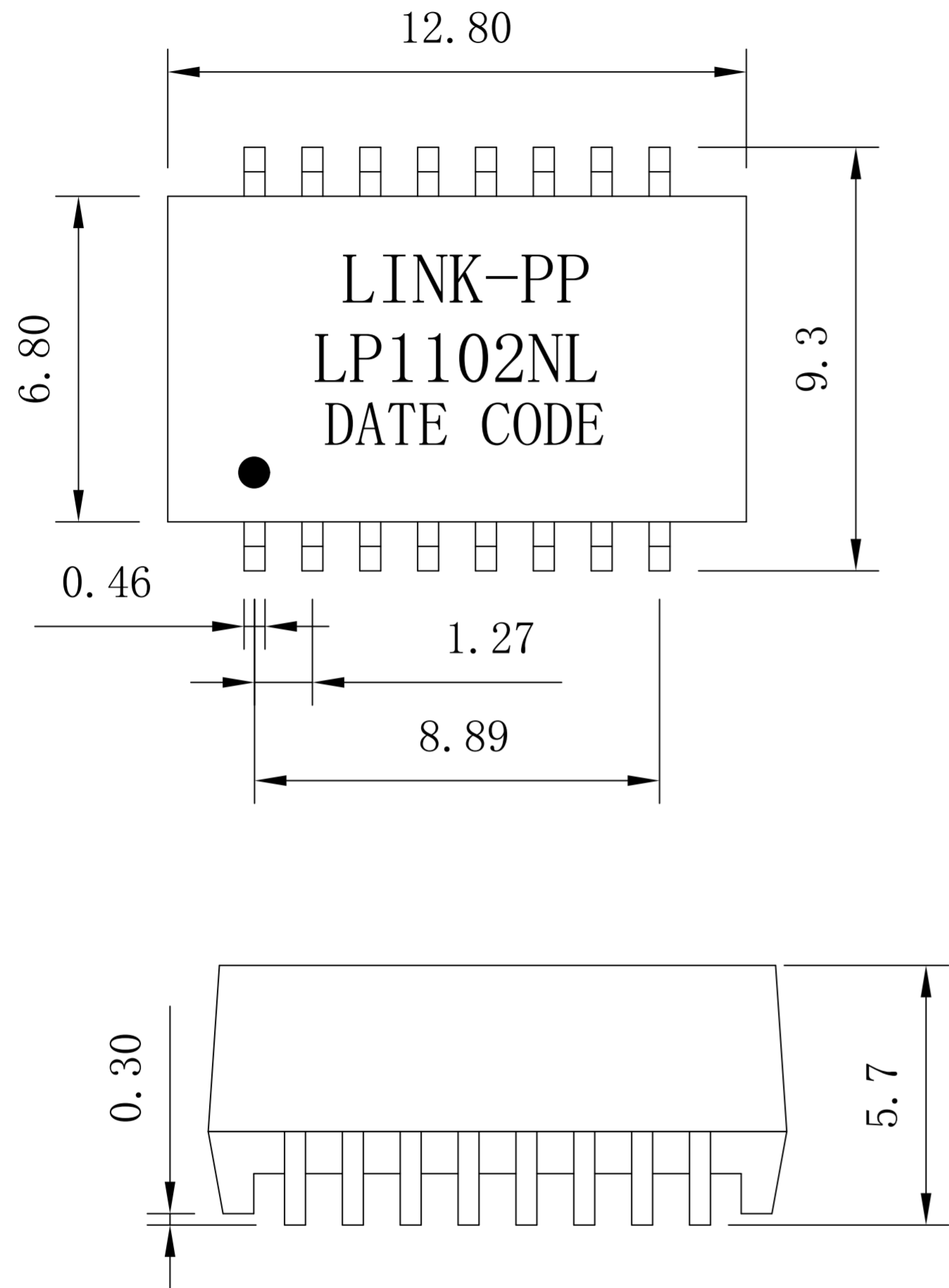
- Turns Ratio ($\pm 3\%$):
TX=1CT : 1CT RX=1CT : 1CT
- OCL: 350uH Min
@100KHz, 0.1Vrms, 8mADC Bias
- LK: 0.5uH Max @100KHz 0.1V.
- Cww: 28pF Max @100KHz 0.1V.
- DCR: 1.2 Ω Max
- Insertion Loss:
0.1-100MHz: -1.1dB Max
- Return Loss (dB Typ):
30MHz: -20 60MHz: -14
80MHz: -11.5
- Crosstalk (dB Typ):
30MHz: -45 60MHz: -40
100MHz: -35
- DCMR (dB Typ):
30MHz: -42 50MHz: -37
100MHz: -33
- CMRR (dB Typ):
1-100MHz: -30
- Hipot: 1500Vrms Min
- Operating Temperature: 0°C ~ 70°C.



X:X	APPD: TOM	LINK-PP INT'L TECHNOLOGY CO., LIMITED
X:XX ± 0.25	CHKD: JAMES	
X:XXX	DR: LEO	TITLE: 10/100 Base-T Single Port Transformer Modules
ANGLES $\pm 1^\circ$	UNIT: mm	PART NO.: LP1102NL
	SCALE: 2/1	SHEET: 1/2
	REV: B6	DWG NO.: LP23021910

Mechanical :

REV.	ECN NO.	DESCRIPTION	DATE	APPD
A	REL	H5.10	2019-01-19	
B6	REL	H5.70	2023-02-19	



SUGGESTED PAD LAYOUT

NOTES:

1. Designed to support application, such as SOHO (ADSL modems), LAN-on-Motherboard (LOM), hub and Switches.
2. Meets IEEE 802.3 specification.
3. Maximum reflow temperature is 250°C, 5 Sec.
4. UL certification: file number E484635.



X:X	APPD: TOM	LINK-PP INT'L TECHNOLOGY CO., LIMITED
X:XX ±0.25	CHKD: JAMES	
X:XXX	DR: LEO	TITLE: 10/100 Base-T Single Port Transformer Modules
ANGLES ±1°	UNIT: mm	PART NO.: LP1102NL
	SCALE: 2/1	SHEET: 2/2
	REV: B6	DWG NO.: LP23021910