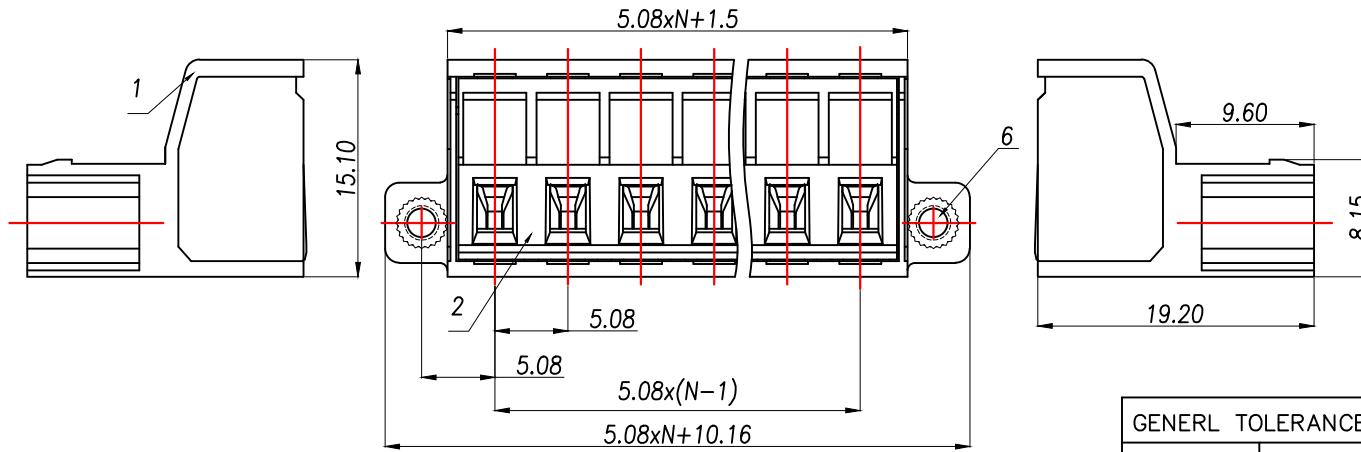
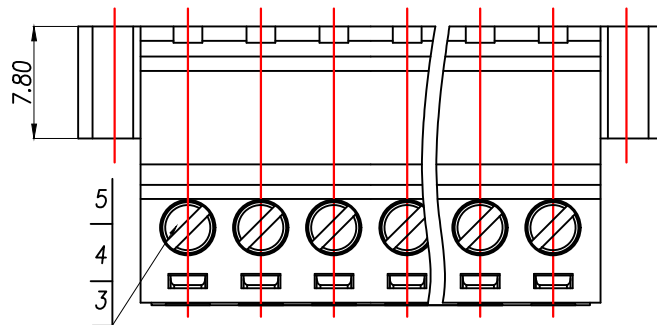


General tolerances(mm)													0.1/10	
0 ~ 3	>3 ~ 6	>6 ~ 10	>10 ~ 18	>18 ~ 30	>30 ~ 50	>50 ~ 80	>80 ~ 120	>120 ~ 180	>180 ~ 250	>250 ~ 315	>315 ~ 400	>400 ~ 500		>500
±0.12	±0.18	±0.22	±0.26	±0.31	±0.37	±0.57	±0.80	±0.93	±1.05	±1.15	±1.60	±2.20	±2.50	±2°



Product model	PIN	A	B	C
ZX-DGRKP-5.08-2P	2	11.66	5.08	20.32
ZX-DGRKP-5.08-3P	3	16.74	10.16	25.40
ZX-DGRKP-5.08-4P	4	21.82	15.24	30.48
ZX-DGRKP-5.08-5P	5	26.90	20.32	35.56
ZX-DGRKP-5.08-6P	6	31.98	25.40	40.64
ZX-DGRKP-5.08-7P	7	37.06	30.48	45.72
.....
ZX-DGRKP-5.08-22P	22	5.08xN+1.5	5.08x(N-1)	5.08xN+10.16

UL Standard	B	C	D
Rated Voltage(V)/Current(A)	300/15	/	300/10
IEC Standard			
Overvoltage Category/Pollution Degree	Ⅲ/3	Ⅲ/2	Ⅱ/2
Rated Voltage(V)/Current(A)	/	320/20	/
Rate Impulse Voltage(KV)	4		
Torque Tightening(N·m/Lb.in)	M2.5, 0.4/3.54		
Wire Range(rigid and flexible)(mm ² /AWG)	0.2~2.5/28~12		
Pitch(mm)/Poles	5.08/N=02~22P		
Stripping length(mm)	7-8		
Operating temperature(°C)	-40~+105		
Conform to RoHS	Yes		

6	Nut	Copper alloy	M2.5/Zn Plated
5	Screws	Steel	M2.5/Zn Plated
4	Cage	Copper alloy	Ni plated
3	Pin	Copper	Sn plated
2	Cover	PA66	UL94V-0
1	Housing	PA66	UL94V-0
ITEM	NAME OF PART	MATERIAL	NOTES

GENEAL TOLERANCE		制图 DRAWING	Yu	料号 PART NO.	ZX-DGRKP-5.08-NP	版次 REV.	A
X.±0.25	X.±2°						
.X±0.20	.X*±1°	核准 APPROVAL	RUAN	客户料号 CUTM.NO.			
.XX±0.15	.XX*±0.5°					单位 UNITS	MM
.XXX±0.10	.XXX*±0.5°						