

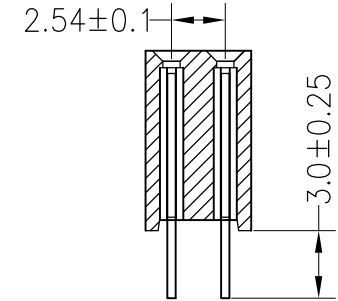
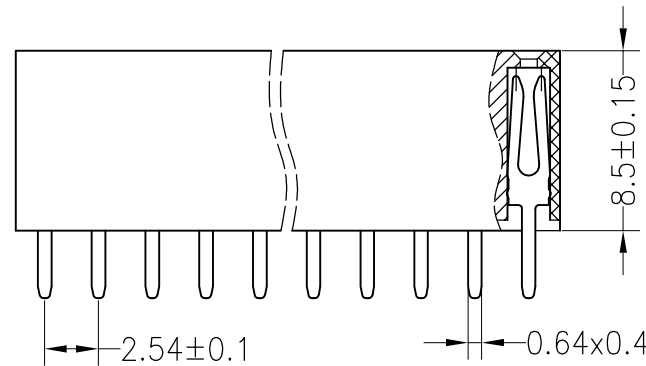
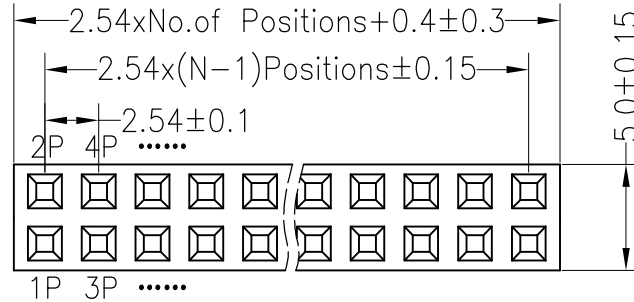
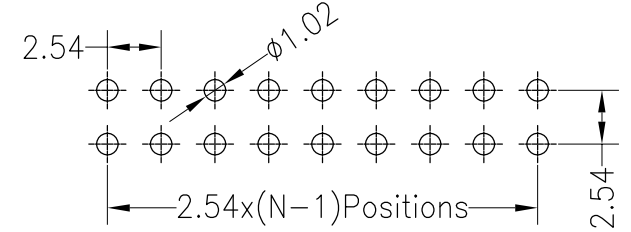


SPECIFICATIONS

Rated Current:3.0AMP
 Contact Resistance:20mΩ Max
 Withstand Voltage:1000V AC/DC
 Insulation Resistance:1000MΩ Min
 Operation Temperature:-40°C to +105°C

Contact Material:Brass
 Contact Plating:Au Or Sn Over Ni
 Insulator Material:Polyester(UL94V-0)
 Standard: PA6T
 Max.Processing Temp: 230°C for 30-60 seconds
 (260°C for 10 seconds)

Recommended P.C.B Layout(Top Side)
 (PCB BOARD TOLERANCE±0.05)



				OPERATION		DRAW	卢能	2016.9.12	SCALE	FIT	深圳市连盛精密连接器有限公司		
				X.X	±0.30				UNIT	mm			
				X.XX	±0.20	CHECK		SIZE	A4	PART NO.			1020300364
				X.XXX	±0.10	APPROVE		SHEET	1/1	TITLE:			2.54FH H=8.5 W=5.0 2*6P DIP PC3.0 Y型 AU1U 青铜 PA6T
REV	DATE	MODIFICATION DESCRIPTION	CHANGE	DIM	TOL			PROJ.					
1	2	3	4	5	6	7	8	9					