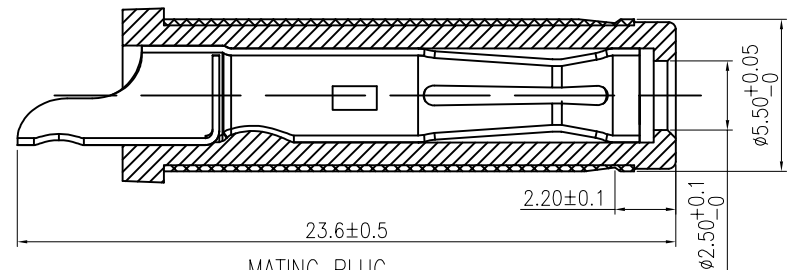
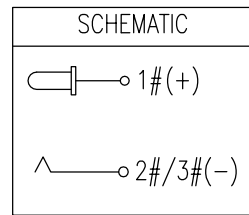
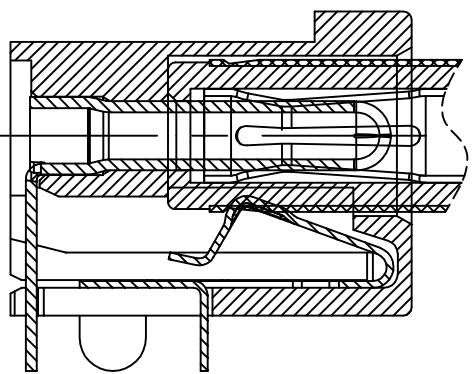
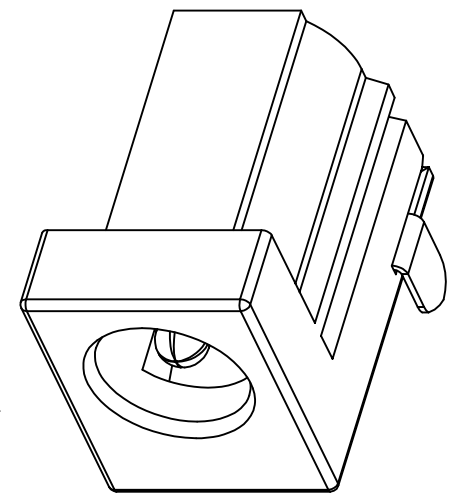
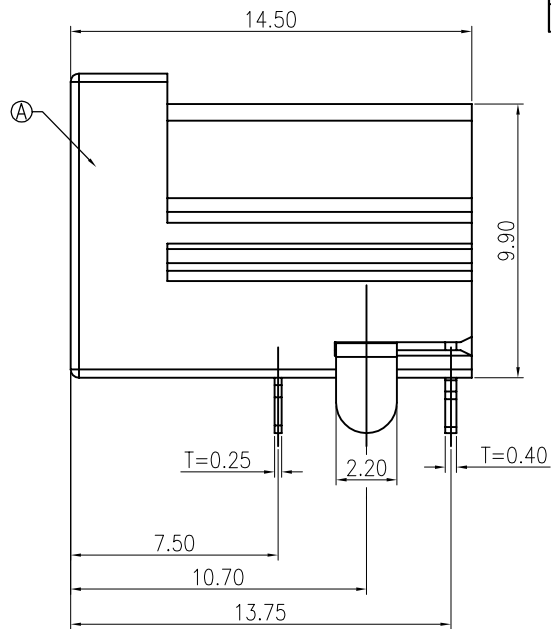
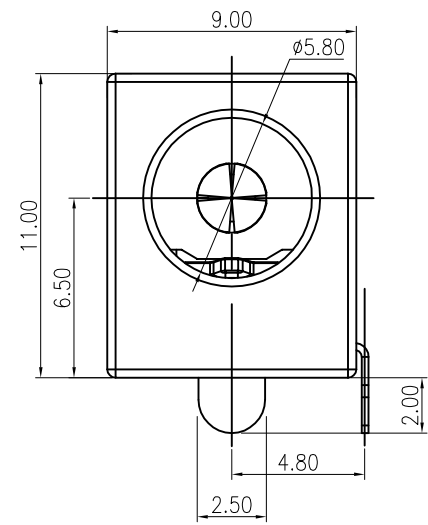
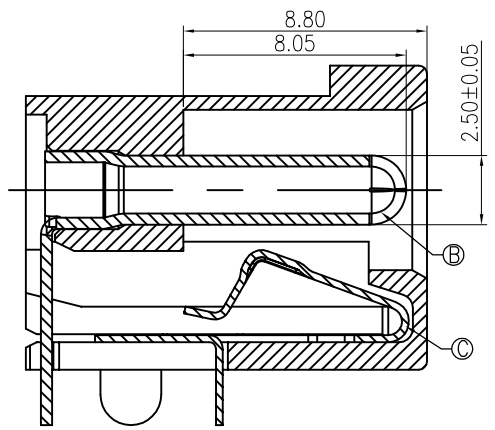


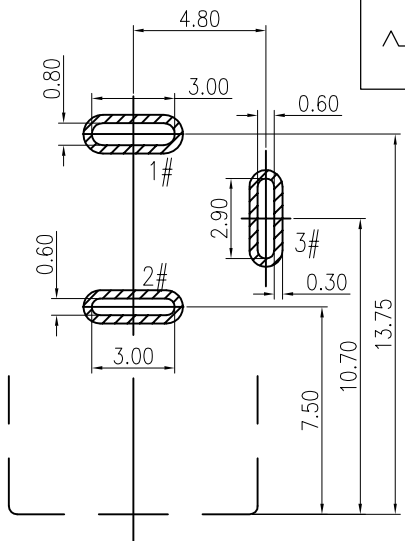
修 订	标 记	修 改 描 要	签 名	日 期
REV	AO	NEW DWG		2016-03-12



MATING PLUG
P/N.: DP550250-0063-6H

NO.	DESCRIPTION	MATERIAL	REMARKS	QTY
C	SPRING	COPPER ALLOY	Sn80u" MIN./Ni 40u".	1
B	CENTER PIN	BRASS	Sn80u" MIN./Ni 40u".	1
A	HOUSING	PA10T	BLACK	1

- SPECIFICATION:
1. RATING: DC 20V 7A
 2. CONTACT RESISTANCE: 30mΩ MAX.
 3. INSULATION RESISTANCE: 100 MΩ MIN.
 4. WITHSTAND VOLTAGE: 500 VAC
 5. INSERTION FORCE: 40N MAX.
 6. EXTRACTION FORCE: 3N MIN.
 7. DURABILITY: 5,000 CYCLES



RECOMMENDED PCB LAYOUT
TOP VIEW TOLERANCE: ±0.05



深圳市华德共创科技有限公司
Shenzhen Huade co-create Technology Co., LTD
电话: 0755-27111216 传真: 0755-29940187

-TOLERANCES- UNLESS OTHERWISE SPECIFIED 公差参数表				TITLE: DC Power Jack 5525 大电流8A, 卧式, 产品名称: 高可靠, 全铜2.5短脚高温料				
X.X	±0.30	X.X*	±3°	APPD: 核准:	PART NO: 产品编号: DC550250-0366-2H			
X.XX	±0.20	X.XX*	±2°	CHECK: 校对: 王建业	DATE	SCALE	UNIT	CODE NUMBER
X.XXX	±0.10	X.XXX*	±1°	DRAW: 绘图: 黄艳兰	2016-03-12	1:1	mm	A001