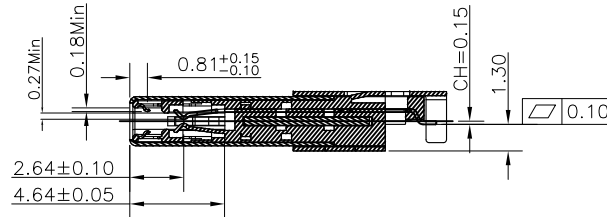
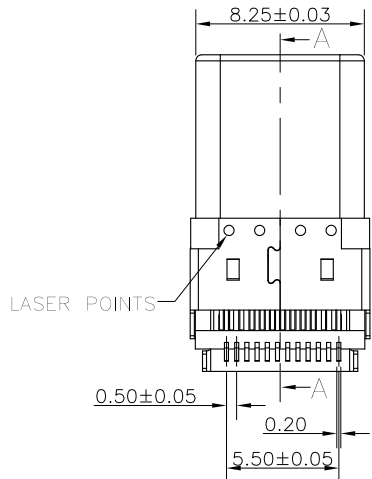
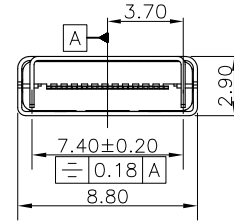
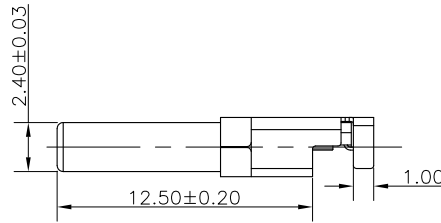
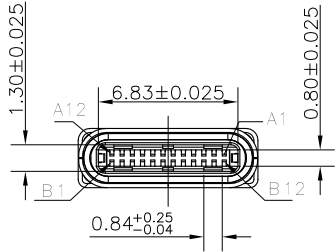
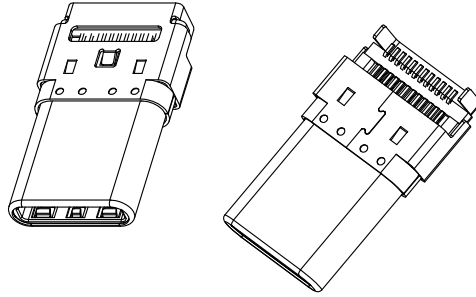
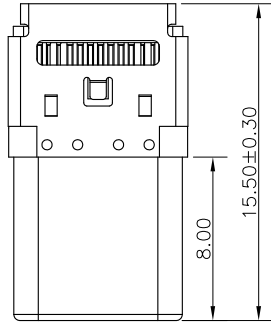


REV. (版本号)	DESCRIPTION (变更说明)	DATE (日期)	APPD (核准)
A0	新订图面	2021.03.11	ZHUANG
A1	增加壳脚正位度管控	2022.02.22	ZHUANG


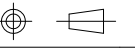
NOTES:

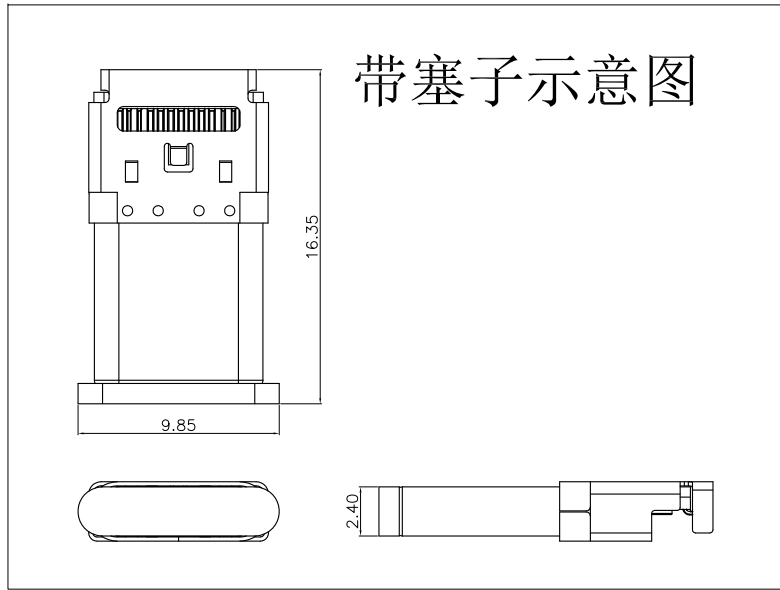
- MECHANICAL: (机械性能)
 - MATING FORCE: 5-20N .
插入力: 5-20N .
 - UNMATING FORCE: 8-20N
拔出力: 8-20N .
 - DURABILITY: 10000 CYCLES
耐久: 10000次
- ELECTRICAL: (电气性能)
 - CONTACT CURRENT RATING: 1.25A/PIN FOR VBUS AND GND,
0.25A/PIN FOR ALL OTHER CONTACT.
电流: 对VBUS和GND为1.25A/PIN, 其它为0.25A/PIN.
 - DIELECTRIC WITHSTANDING VOLTAGE: 100V AC AT SEA LEVEL.
耐压: 100V AC AT SEA LEVEL.
 - LOW LEVEL CONTACT RESISTANCE: 40mΩ MAX FOR VBUS AND GND,
50mΩ MAX FOR OTHER CONTACTS.
接触阻抗: VBUS和GND, 40mΩ 最大; 其它为50mΩ.
 - INSULATION RESISTANCE: 100MΩ MIN AT 250VDC.
绝缘阻抗: 在电压250VDC, 100MΩ 最小.
 - OPERATING TEMPRATUR: -55°~85°. E
- COMPLANARITY OF SMT TERMIALS IS 0.10MAX.
焊接端子平面度最大不超过0.10MM。



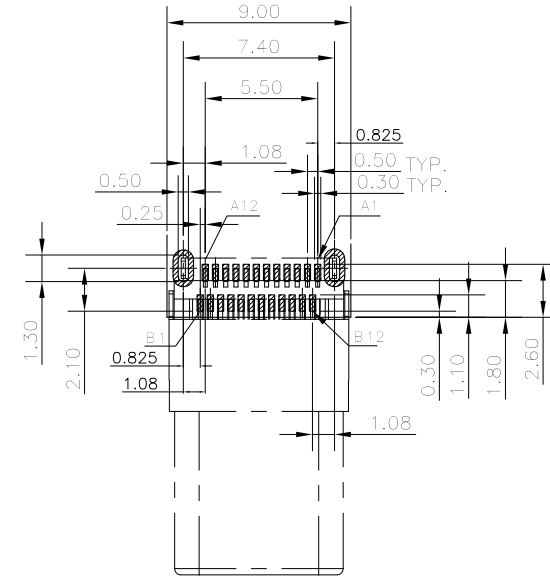
SECTION: A-A

⑥	Shield	1	Stainless Steel	Bright Nickel Plating
⑤	Housing	4	LCP	Color: Black
④	Latch	1	Stainless Steel	
③	Contact	24	Copper Alloy	3u" gold plated on Contact area, Matte Tin plated on Solderails, Nickel underplating over all
②	Emc Spring	2	Stainless Steel	
①	Shell	1	Stainless Steel	Bright Nickel Plating
ITEM	NAME	QTY	MATERIAL	DESCRIPTION

 深圳市宇文发电子科技有限公司 Shen Zhen Yu Wen Fa Electronics Technology Co., Ltd TEL: 0755-27711235 FAX: 0755-27712683		页码 (SHEET)	1/2	单位(UNIT): MM
		版本 (REV)	A1	比例(SCALE) 1:1
品名 (ITEM NO)	TYPE C 公头24Pin SMT 双贴款-成品	日期 (DATE)	2021.03.11	 未注公差 TOLERANCE UNSPECIFIED X.X ±0.30 X.XX ±0.20 X.XXX ±0.10 X° ±5° X.X° ±2°
料号 (PART NO)	PTCMW-H16B-001	设计 (DESIGN)	ZHUANG	
图号 (DWG NO)	P-TCF-055	审核 (CHECKED)		
		核准 (APPROVED)		



带塞子示意图



RECOMMENDED P.C.B. LAYOUT
T=0.80 OR 1.00mm

TOLERANCE UNSPECIFIED $\pm 0.05\text{mm}$

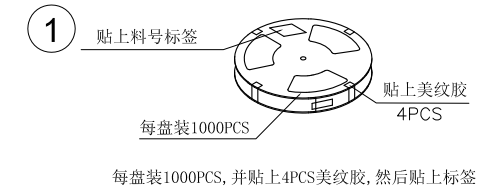
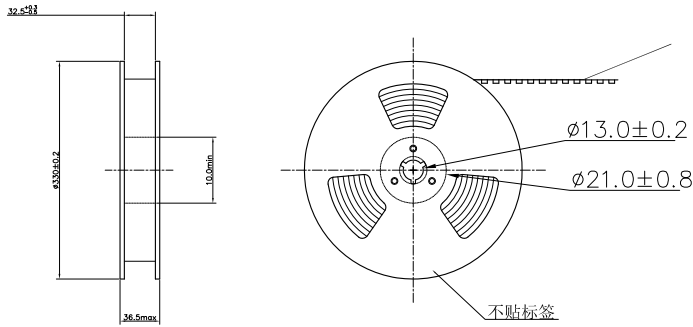
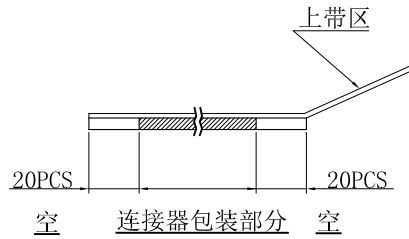
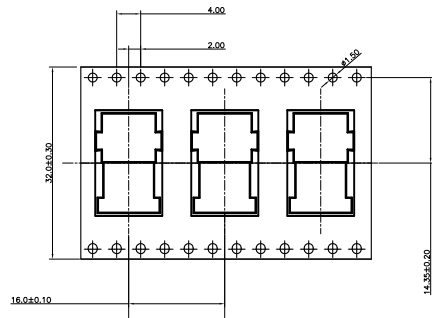
USB TYPE-C FULL-FEATURED RECEPTACLE INTERFACE PIN ASSIGNMENTS

PIN	Signal Name	Description	PIN	Signal Name	Description
A1	GND	Ground return	B12	GND	Ground return
A2	SSTXp1	Positive half of first SuperSpeed TX differential pair	B11	SSRXp1	Positive half of first SuperSpeed RX differential pair
A3	SSTXn1	Negative half of first SuperSpeed TX differential pair	B10	SSRXn1	Negative half of first SuperSpeed RX differential pair
A4	VBUS	Bus Power	B9	VBUS	Bus Power
A5	CC1	Configuration Channel	B8	SBU2	Sideband Use(SBU)
A6	Dp1	Positive half of the USB 2.0 differential pair-Position 1	B7	Dn2	Negative half of the USB 2.0 differential pair-Position 2
A7	Dn1	Negative half of the USB 2.0 differential pair-Position 1	B6	Dp2	Positive half of the USB 2.0 differential pair-Position 2
A8	SBU1	Sideband Use(SBU)	B5	CC2	Configuration Channel
A9	VBUS	Bus Power	B4	VBUS	Bus Power
A10	SSRXn2	Negative half of second SuperSpeed RX differential pair	B3	SSTXn2	Negative half of second SuperSpeed TX differential pair
A11	SSRXp2	Positive half of second SuperSpeed RX differential pair	B2	SSTXp2	Positive half of second SuperSpeed TX differential pair
A12	GND	Ground return	B1	GND	Ground return

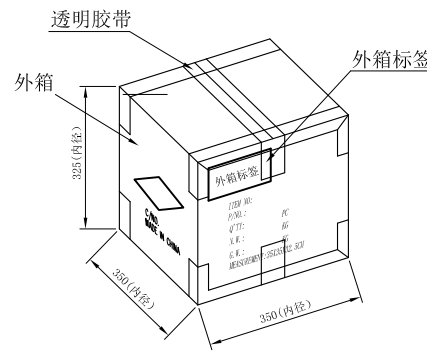
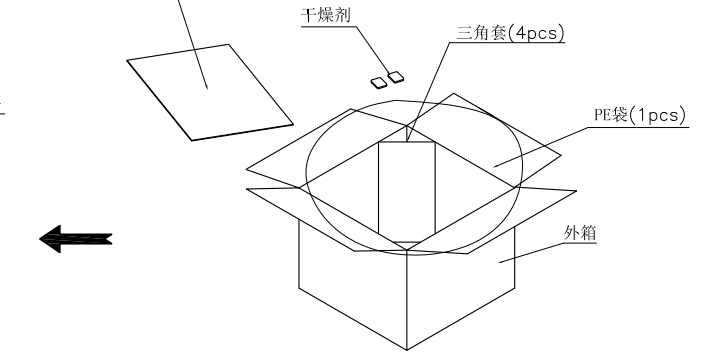
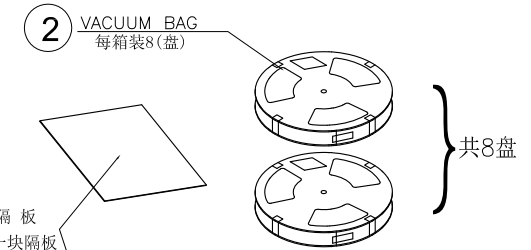
 深圳市宇文发电子科技有限公司 Shen Zhen Yu Wen Fa Electronics Technology Co., Ltd TEL: 0755-27711235 FAX: 0755-27712683	页码 (SHEET)	2/2	单位(UNIT): MM
	版本 (REV)	A1	比例(SCALE) 1:1
	日期 (DATE)	2021. 03. 11	
	设计 (DESIGN)	ZHUANG	未注公差 TOLERANCE UNSPECIFIED
	审核 (CHECKED)		X.X ± 0.30 X.XX ± 0.20 X.XXX ± 0.10 X° $\pm 5^\circ$ X.X° $\pm 2^\circ$
品名 (ITEM NO)	TYPE C 公头24Pin SMT 双贴款-成品		核准 (APPROVED)
料号 (PART NO)	PTCMW-H16B-001		
图号 (DWG NO)	P-TCF-055		

RoHS Compliant

REV.	ECN NO	DESCRIPTION	REVISER	DATE
A/1				
A/2				



每盘装1000PCS, 并贴上4PCS美纹胶, 然后贴上标签



外箱尺寸为内径, 单位:mm

备注:

- 包材规格:
 蓝色卷盘: $\phi 330 * W32mm$
 卷带: (1040PCS空格/卷).
 三角纸板: $100 * 140 * 100mm, H=315mm, K=K$
 自粘上带: $W=25.5mm, T=0.08mm$
 外箱: $35 * 35 * 32.5cm$
 PE袋: $L800mm * W800mm$
 干燥剂: 2 PCS
- 将产品依上图所示装入载带中, 再将自粘上带与载带粘好, 注意不可封孔, 上带需比载带长至少300mm, 然后用80-150mm美纹胶固定; 1000pcs/卷盘, 每卷盘都需贴卷盘物料标签.
- 外箱底部先垫一隔板, 并在外箱四个内角各放置一个三角套, 把8卷(8000PCS)封装好的产品标签一律朝上平放进外箱中 上层盖上一隔板, 再用封箱胶纸将外箱口於“工”字型封好.

	REEL	CARTON
CONNECTOR (PCS)	1000	8000

图号 (DWG NO)	单位 (UNIT): MM	深圳市宇文发电子科技有限公司 Shen Zhen Yu Wen Fa Electronics Technology Co., Ltd TEL: 0755-27711235 FAX: 0755-27712683		
日期 (DATE)	2021. 07. 24			比例 (SCALE) 1:1
版次 (REV): A/0	页/次(PAGE): 1/1			
设计 (DESIGN)	ZHUANG	包装规范	品名 (ITEM NO)	TYPE C 公头24Pin双贴-包装规范
审核 (CHECKED)			料号 (PART NO)	PTCMW-H16B-001
核准 (APPROVED)				