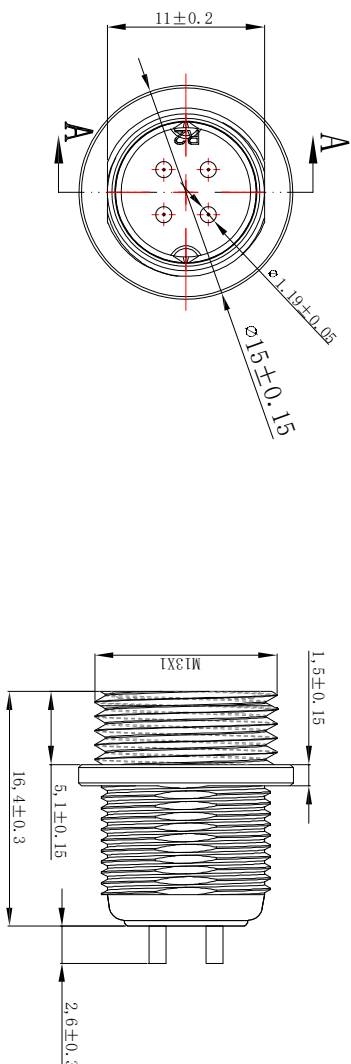
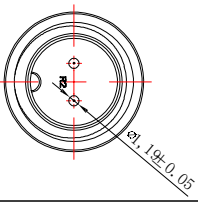
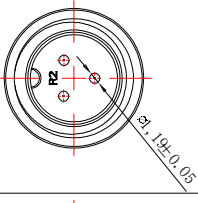
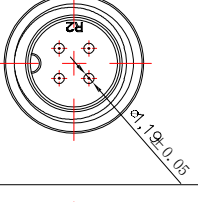
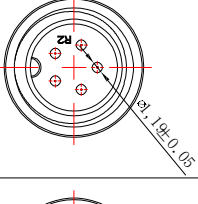
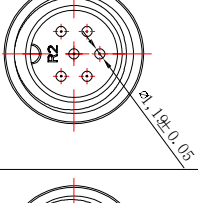
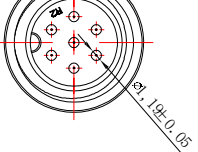


1.FIGURE AND DIMENSIONS(视图及尺寸)



孔位 排列 (芯数)						
额定 电流	2P (2) 额定电流: 5A	3P (3) 额定电流: 5A	4P (4) 额定电流: 5A	5P (5) 额定电流: 3A	6P (6) 额定电流: 3A	7P (7) 额定电流: 3A

1. Mating (插拔次数)	5000次
2. Working Temperature (温度)	-40~+105 ° C
3. IP Rating (防护级别)	IP 65
4. Contact plating material (触点电镀材料)	-
5. Contact resistance (触点电阻)	10M Ω
6. Working Voltage (工作电压)	125V
7. Rated Current (额定电流)	见参数表
8. shell material (壳体材质)	锌合金
9. Pin Material (插针材料)	黄铜

版本		TITLE		DRAWING NO.		REV.	
REVA4							
REVA3							
REVA2							
REVA1							
DRAW	DATE	PART NO.					
CHECK	DATE						
APPR'D	DATE			USE			
EG. GX12. P04. CAL				A0			
UNIT		mm					
SCALE		Free					
SHEET		10F N					
XKB INDUSTRIAL PRECISION CO., LIMITED				