

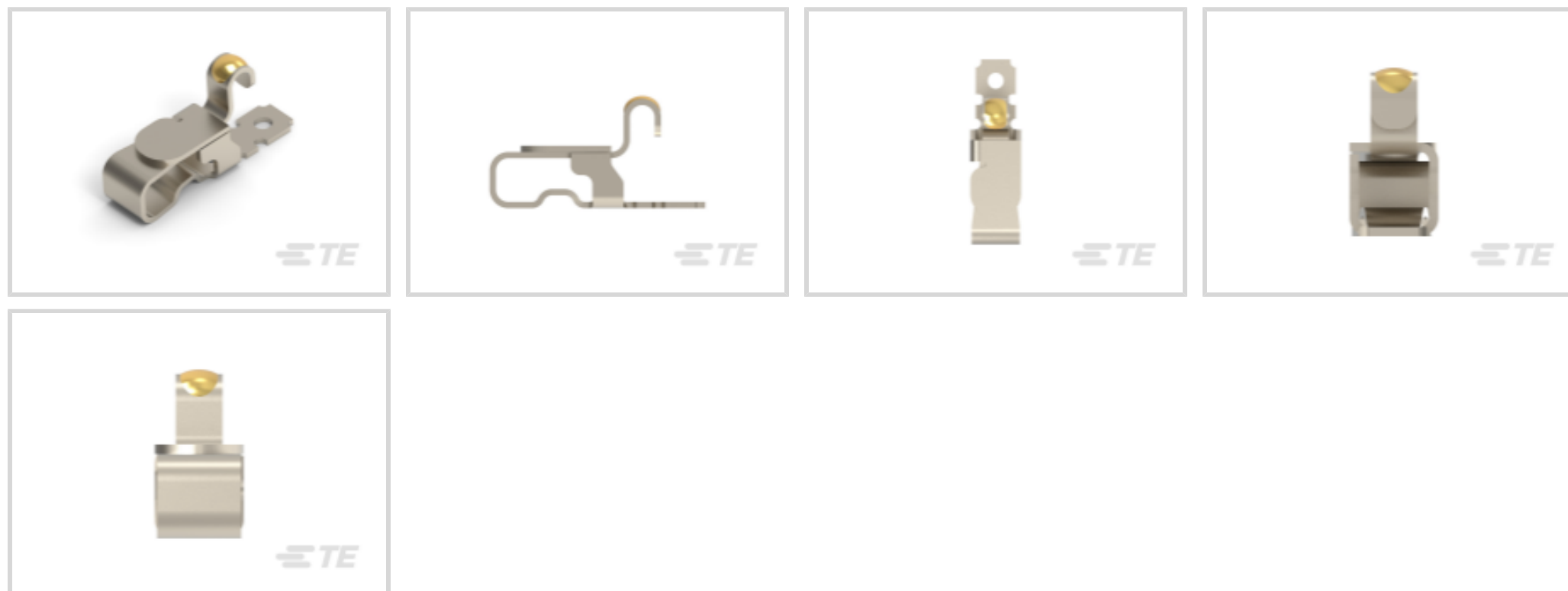


TE Internal #: 1857724-4

Preloaded - C-Clip Spring Contact, 1.6 mm [.063 in] High, 1.8 mm [.071 in] Uncompressed Height, 3.46 mm [.136 in] Length, 1 mm [.039 in] Width

[View on TE.com >](#)

Connectors > Contacts > PCB Spring Contacts



Spring Finger Type: **Preloaded - C-Clip**

Scalable: **No**

Side Protected: **No**

Uncompressed Height: **1.8 mm [.071 in]**

Product Length: **3.46 mm [.136 in]**

Features

Product Type Features

Connector & Contact Terminates To	Printed Circuit Board
Connector System	Board-to-Board
Spring Finger Type	Preloaded - C-Clip
Scalable	No

Configuration Features

Number of Positions	1
Side Protected	No

Contact Features

Contact Underplating Material	Nickel
Contact Base Material	Stainless Steel
PCB Contact Termination Area Plating Material	Gold
Contact Working Range (Low)	1 mm [.039 in]
Contact Working Range (High)	1.6 mm [.063 in]
Point of Contact Area Plating Material	Gold



Contact Current Rating (Max)	.5 A
------------------------------	------

Dimensions

Uncompressed Height	1.8 mm [.071 in]
Product Length	3.46 mm [.136 in]
Product Width	1 mm [.039 in]

Usage Conditions

Operating Temperature Range	-40 – 85 °C [-40 – 185 °F]
-----------------------------	----------------------------

Operation/Application

Circuit Application	Signal
---------------------	--------

Packaging Features

Packaging Method	Tape & Reel
Packaging Quantity	6000

Product Compliance

[For compliance documentation, visit the product page on TE.com>](#)

EU RoHS Directive 2011/65/EU	Compliant
EU ELV Directive 2000/53/EC	Compliant
China RoHS 2 Directive MIIT Order No 32, 2016	有害物质含量符合标准要求 No Restricted Substance(s) Above Threshold
EU REACH Regulation (EC) No. 1907/2006	Current ECHA Candidate List: JUNE 2025 (250) Candidate List Declared Against: JUNE 2025 (250) Does not contain REACH SVHC
Halogen Content	Low Halogen - Br, Cl, F < 900 ppm per homogenous material. Also BFR/CFR/PVC Free
Solder Process Capability	Reflow solder capable to 260°C

Product Compliance Disclaimer

This information is provided based on reasonable inquiry of our suppliers and represents our current actual knowledge based on the information they provided. This information is subject to change. The part numbers that TE has identified as EU RoHS compliant have a maximum concentration of 0.1% by weight in homogenous materials for lead, hexavalent chromium, mercury, PBB, PBDE, DBP, BBP, DEHP, DIBP, and 0.01% for cadmium, or qualify for an exemption to these limits as defined in the Annexes of Directive 2011/65/EU (RoHS2). Finished electrical and electronic equipment products will be CE marked as required by Directive 2011/65/EU. Components may not be CE marked. Additionally, the part numbers that TE has identified as EU ELV compliant have a maximum concentration of 0.1% by weight in homogenous materials for lead, hexavalent chromium, and mercury, and 0.01% for cadmium, or qualify for an exemption to these limits as defined in the Annexes of Directive 2000/53/EC (ELV). Regarding the REACH Regulation, the information TE provides

on SVHC in articles for this part number is based on the latest European Chemicals Agency (ECHA) 'Guidance on requirements for substances in articles' posted at this URL: <https://echa.europa.eu/guidance-documents/guidance-on-reach>

Compatible Parts



TE Part # 1674954-1
SHIELD FINGER 2026 WITH TAPE



TE Part # 1871059-1
SHIELD FINGER 1715 ON TAPE (EM

Customers Also Bought



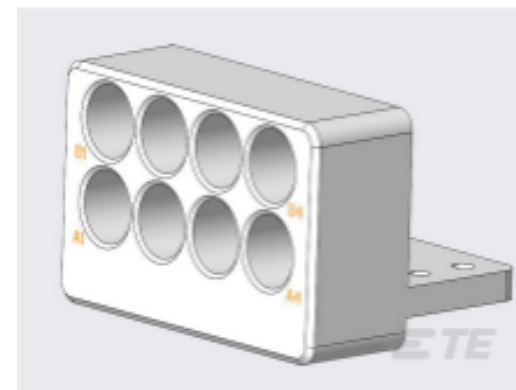
TE Part #6-104071-0
08 SYSTEM 50 HDR SRST SHRD SN



TE Part #1623741-5
SBC 2 27R 10%



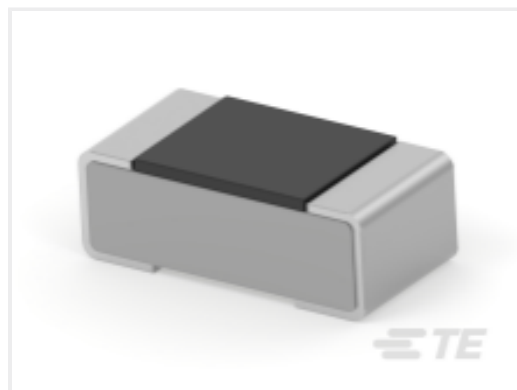
TE Part #2-1825138-3
A201SYAQ04



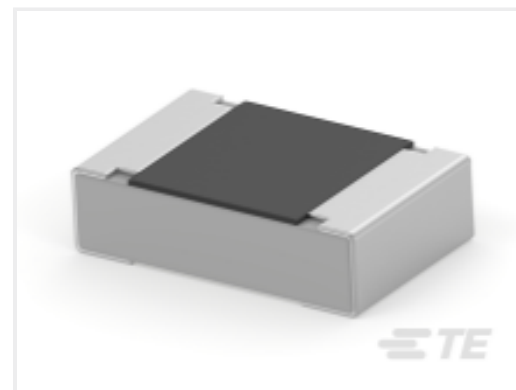
TE Part #2101924-4
8 POS PCB MNT RF MODULE W/
PINS & MARK



TE Part #4-2176055-4
RLP73K 2B R62 1% 1K RL



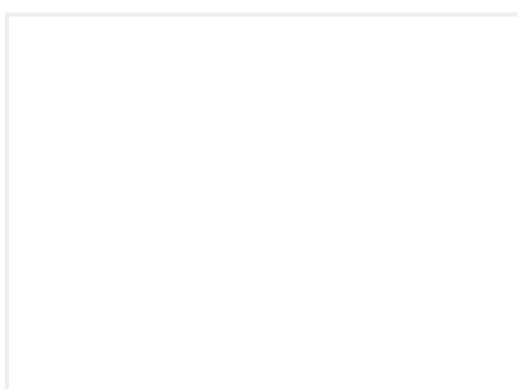
TE Part #4-2176338-3
CRGCQ 0402 10M 5%



TE Part #1-2176342-4
CRGCQ 0805 150R 5%



TE Part #2-2176412-2
5W XSM M/OX 5% 39R



TE Part #2321032-1
TERMINATOR, SMPM JACK, 50 OHM
VITA 67



TE Part #5223004-2
FB-5R,ASY,060,SIG,REC,SL,2.73

Documents

[Product Drawings](#)

[CAD Files](#)

[Customer View Model](#)



[ENG_CVM_CVM_1857724-4_G.2d_dxf.zip](#)

English

[3D PDF](#)

3D

Customer View Model

[ENG_CVM_CVM_1857724-4_G.3d_igs.zip](#)

English

Customer View Model

[ENG_CVM_CVM_1857724-4_G.3d_stp.zip](#)

English

By downloading the CAD file I accept and agree to the [Terms and Conditions](#) of use.

Datasheets & Catalog Pages

[Products for Mobile Equipment](#)

English

Product Specifications

[Product Specification](#)

English