

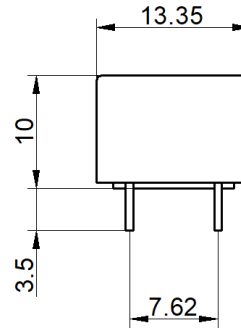
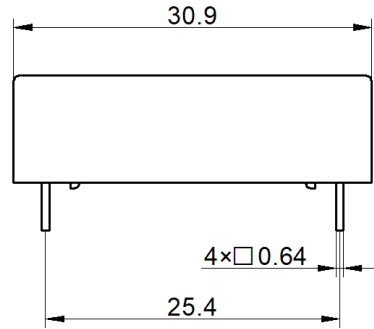
## HVR05-2A06

- High Voltage Reed Relay
- Low Contact Resistance
- Breakdown up to 6 kVDC
- Excellent Lifetime Characteristics
- Custom Design Available

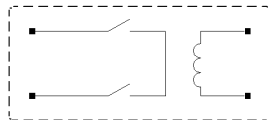


### Outline Dimension

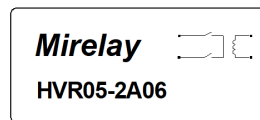
Unit: mm DIM Tolerance: ±0.3



### Layout[Top View]



### Marking



### Coil Parameters (at 20°C)

Nominal Coil Voltage	Nominal Current	Coil Resistance	Max Pull-in Voltage	Min Drop-out Voltage
5 VDC	42 mA	120±10% Ω	4 VDC	0.5 VDC

### Contact Parameters

Contact Form	1 Form A	Max Contact Rating	100 W
Max Switch Voltage	1 kVDC	Max Switch Current	1.0 A
Max Carrying Current	2.5 A	Min Breakdown Voltage	6 kVDC
Max Contact Resistance	300 mΩ	Life Expectancy (Electrical) (at 500 VDC 100mA)	5×10 <sup>7</sup> ops

### Electrical Specifications

Dielectric Strength (Static,min)	Open contacts	6 kVDC	Insulation Resistance (min./typ.) Rh<45%, 100V Test Voltage	Open contacts	1×10 <sup>12</sup> Ω
	Contact to coil	6 kVDC		Contact to coil	1×10 <sup>12</sup> Ω
Operate Time,incl.Bounce	1.0 ms	Capacitance	Across Open Switch	0.5 pF	
Reset Time	0.1 ms				

### Environmental data

Vibration (10 to 2KHz 1.5mm )	20 G	Shock (1/2 sine wave duration 11ms )	50 G
Operating Temperature	-20°C ~ 70°C	Storage Temperature	-35°C ~ 105°C
Soldering Temperature (5 sec. dwell)	260°C	Washability	fully sealed

### Example of order marking

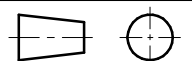
Product model	Nominal Coil Voltage	Contact form	Breakdown Voltage	Pin Out	Special code
HVR	05: 5 VDC	2A: 1 Form A	06: 6 kVDC	Nil	Nil

Remark:

**RoHS**

Make	Li Linmao
Checke	Hu Shu
Approved	Dong Hu
Date	8th,Jan,2025

TITLE	High Voltage Reed Relay
P/N	HVR05-2A06



Version: 04
Page: 1/1