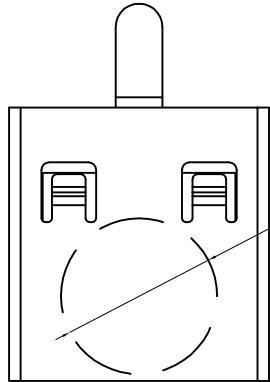
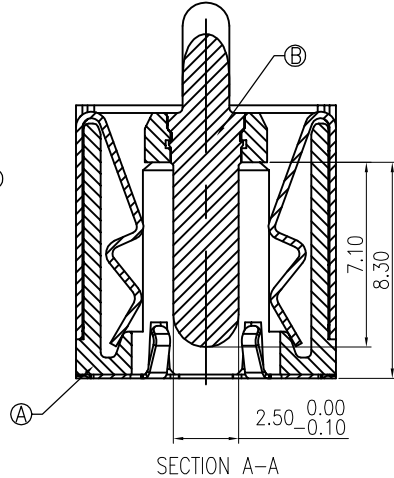
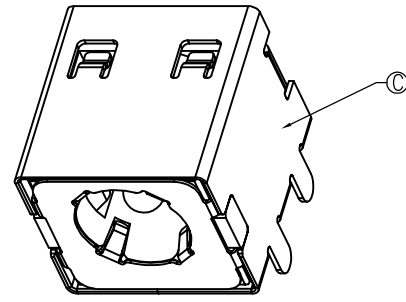


修 订	标 记	修 改 描 述	签 名	日 期
REV	MARK	REVISION DESCRIPTION	SIGNATURE	DATE
AO		NEW DWG		2016-03-12

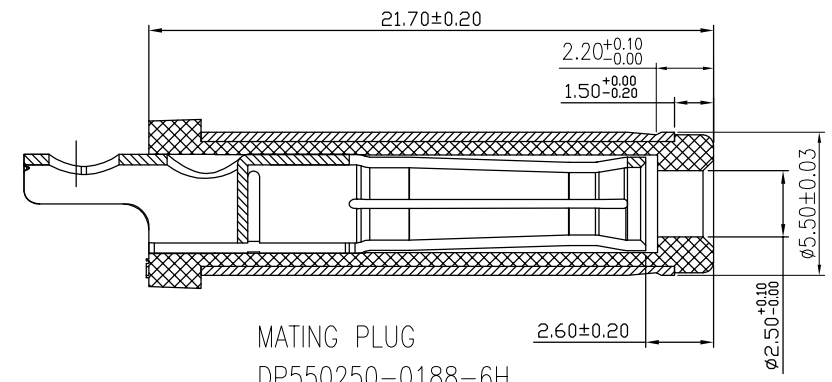
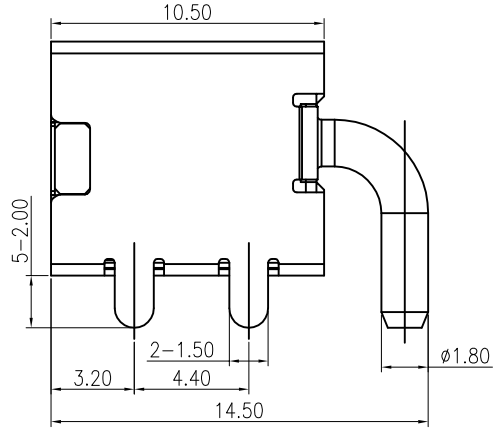
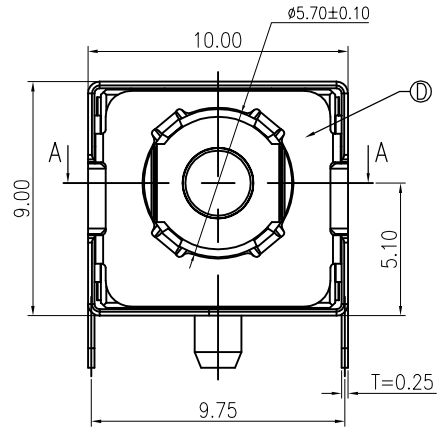


$\phi 6.00$
PICK UP

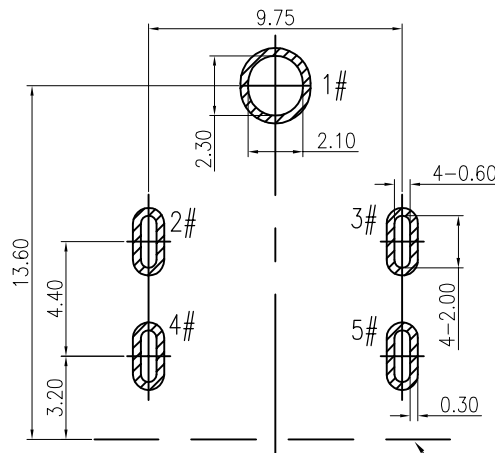


SECTION A-A

- SPECIFICATION:
1. RATING: DC 30V 20A
 2. CONTACT RESISTANCE:
30m Ω MAX(INITIAL).
50m Ω MAX(FINAL).
 3. INSULATION RESISTANCE: 100 M Ω MIN.
 4. WITHSTAND VOLTAGE: 500 VAC
 5. INSERTION FORCE: 30N MAX.
 6. EXTRACTION FORCE: 3N MIN.
 7. DURABILITY: 5,000 CYCLES

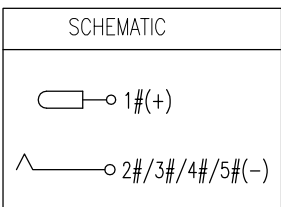


MATING PLUG
DP550250-0188-6H



RECOMMENDED PCB LAYOUT
TOP VIEW TOLERANCE: ± 0.05

PRODUCT EDGE



NO.	DESCRIPTION	MATERIAL	REMARKS	QTY
D	GROUND	SUS 304		1
C	SHELL	C5210	Ni 40u" MIN.	1
B	CENTER PIN	BRASS	GOLD FLASH /Ni 40u" MIN.	1
A	HOUSING	PA10T	BLACK	1



深圳市华德共创科技有限公司
Shenzhen Huade co-create Technology Co.,LTD
电话: 0755-27111216 传真: 0755-29940187

TOLERANCES UNLESS OTHERWISE SPECIFIED 公差参数表		TITLE: DC Power Jack 5525 大电流20A, 卧产品名称: 式, 高可靠, 四脚插板CL=5.1	
X.X	± 0.30	X.X*	$\pm 3^\circ$
X.XX	± 0.20	X.XX*	$\pm 2^\circ$
X.XXX	± 0.10	X.XXX*	$\pm 1^\circ$

APPD: 核准:	王建国	PART NO: 产品编号:	DC550250-1194-2H
CHECK: 校对:	黄艳兰	DATE	SCALE
DRAW: 绘图:	2016-03-12	UNIT	CODE NUMBER
	1:1	mm	A001