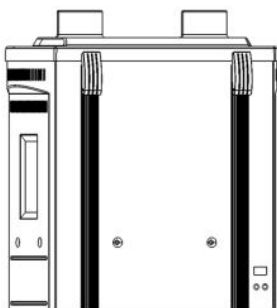




QUICK 6602 Fume Extractor

Instruction Manual



Thank you for purchasing our products. Please keep the instruction manual properly for future reference.

Contents

1. Safety Instructions.....	1
2. Overview.....	2
3. Product Characteristics.....	2
4. Product Specifications.....	3
5. Functional Descriptions.....	4
5.1. Dimensions.....	4
5.2. Part Descriptions.....	5
6. Connection.....	6
7. Volume Settings.....	7
8. Filter Replacement, Cleaning and Maintenance.....	7
8.1. Replace the Filter.....	7
8.2. Replace the Directional Air Hose.....	8
8.3. Clear the Working Time.....	9
8.4. Replacing, Cleaning and Maintenance.....	9
9. Troubleshooting.....	10

1.Safety Instructions



CAUTION

- During the installation and use of this product, all electrical safety regulations of the country and regions must be strictly observed.
- The power supply must be disconnected when disassembling the product. Do not operate with power on.
- If the product does not work properly, please contact the supplier or our company, and do not disassemble or change the product in any way. We are not responsible for any problems caused by unauthorized maintenance or modification.



WARNING

- Don't install the product in a place where the surface is easy to shake or be impacted, as it may damage the product.
- Don't install the product in places where it may be exposed to rain or moisture.
- The product should be used away from places where there is magnetic interference.
- Don't use in flammable and explosive environments.
- When using, the fume extractor must be placed in the right position, place on the side or upside down are forbidden.
- When using, please keep the air inlet and outlet unblocked, ensure there is no obstruction.
- Please unplug the power cord when the product is not used for a long time.

2.Overview

This fume extractor is of dual hoses and triple filters design, including pre-filter, middle filter and main filter. The HEPA high-efficiency filter and the air filter form the main filter. The large area pad type pre-filter can effectively filter the dust with larger particles and prolong the service life of the main filter.

The fume extractor can effectively absorb and filter the fume and dust generated in the soldering, laser marking, laser engraving and other processes, at the same time, it can absorb and filter the toxic and harmful gases and dust, such as hydrocarbons and cyanide compounds, to prevent environmental pollution.

3.Product Characteristics

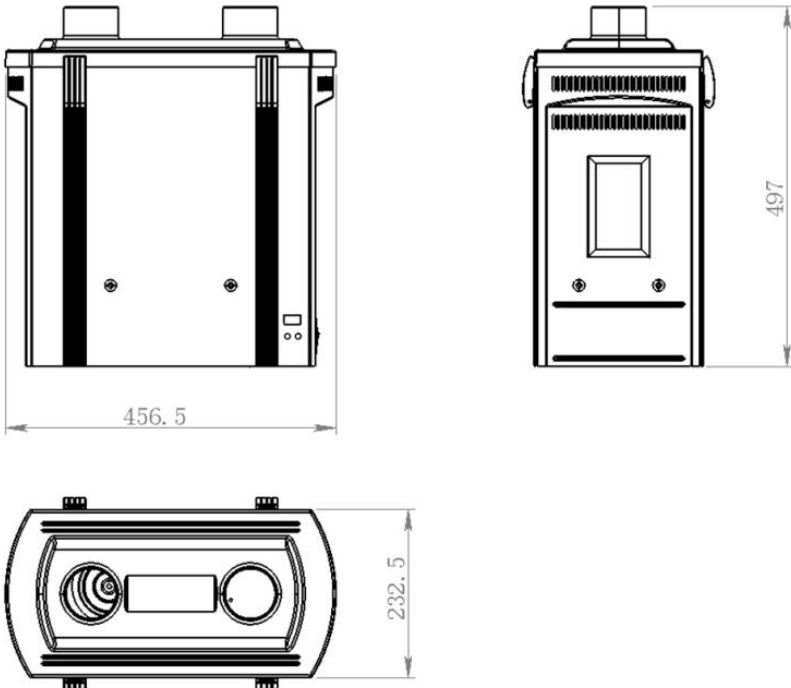
- Simple and convenient installation, no need for another pipes, it is conducive to the neatness and beauty of the working space.
- Triple filters design, ensures the removal of harmful substances from the fumes and protects the human body. The pre-filter and middle filter can be replaced individually, prolong the service life of main filter.
- Built-in circulating air filtering method avoids discharging indoor cold/heating air to the outside, which really saves energy and meets the national environmental protection requirements.
- High-power DC brushless motor, large air volume and with shock absorber function, prolong the service life.
- Low noise design.
- Dual hoses design, air volume adjustable, and the directional air hose is adjustable and positioned freely.
- The diameter of the air hose can be input manually, and the program automatically adjusts the relevant parameters.

4.Product Specifications

Model	6602
Voltage	AC 110V/ 220V
Power consumption	250W
System flow (Including filtering equipment)	2*100m ³ /h
Filtering efficiency (0.3μm)	99.97%
Static pressure	3000Pa
Noise	≤65dB
Dimensions (L*W*H)	456*232.5*497mm
Weight	About 14.2kg

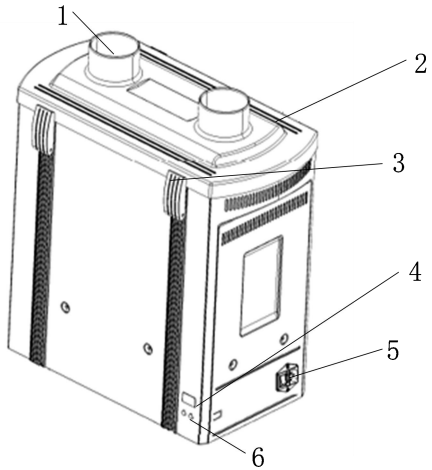
5.Functional Descriptions

5. 1. Dimensions



Unit: mm

5. 2. Part Descriptions



NO.	Part Descriptions
1	Air inlet
2	Top cover
3	Buckle button
4	LED display
5	Power socket
6	Button

6.Connection

Note:

*Please remove the foam placed under the main filter before the first use.

*When using the buckle button, make sure to press the top cover tightly and then secure the buckle button, otherwise the buckle button will be damaged.

- 1) Fix the air hose at the air inlet and outlet, and connect the power socket.
- 2) Turn on the power switch on the back of the fume extractor (without inserting the external controller for air volume adjustment), and the value displayed at this time is the air volume gear at the last shutdown.
- 3) When the fume extractor is power on, the screen displays a two-digit value, indicating the air volume. If there is no operation within 3s (including pressing the controller and the "▲" or "▼" key on the host), the cumulative flow value will be displayed. The flow value is a three-digit value (the flow value is accumulated as 001 when the engine of the fan rotates 5.76 million revolutions, and it is accumulated and superimposed by the multiple of 5.76 million revolutions).
- 4) When the external controller for air volume adjustment is connected, the "▲" or "▼" key on the machine fails, and the air volume can only be adjusted through the knob. Large air volume, stronger fume absorbing capacity, so it is recommended to work in the state of large air volume.
- 5) Turn off the switch key on the external controller for air volume adjustment, and the screen displays "OFF" before shutdown.

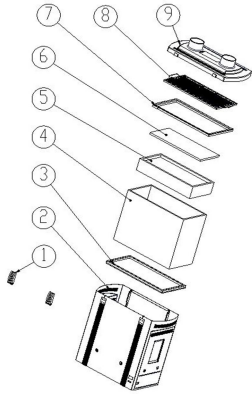
7. Volume Settings

Press "▲" or "▼" to set the air volume. When 01 is displayed, the air volume is the minimum; when 10 is displayed, the air volume is the maximum. Air volume gear: 01-10.

8. Filter Replacement, Cleaning and Maintenance

8. 1. Replace the Filter

- 1) Directional air hose need to be cleaned regularly.
- 2) The pre-filter can be replaced as needed.
- 3) The filter must be replaced when the LED window "□" is displayed cyclically.
- 4) Check whether the air inlet needs cleaning, if necessary, clean the directional air hose and absorber. If the suction is still reduced after checking and cleaning according to the above steps, the middle and main filters should be replaced.
- 5) To replace the filter, turn off the power switch first, loosen the four buckle buttons on the edge of the upper cover of the fume extractor, lift up the top cover, pre-filter and middle filter, and then lift up the main filter.
- 6) When replacing the new filter, make sure the new main filter is placed correctly and the fan outlet connected to the bottom of the filter is unblocked.



- 1: Buckle assembly
- 2: Housing
- 3: Bottom rubber strip
- 4: Main filter assembly
- 5: Middle filter assembly
- 6: Pre-filter assembly
- 7: 6101/6102 square seal ring
- 8: Fire isolating net assembly
- 9: 6102 Upper cover

8. 2. Replace the Directional Air Hose

When the directional air hose with different diameters is replaced, please input diameter value of the new replaced air hose.

The method is as follows:

1) On the power-on state (the air volume gear is 10), press "▲" and "▼" keys at the same time, the screen will display "---" and hundreds digits flashing.

2) Press "▲" key to input the value " 6 ", then press "▲" and "▼" keys at same time for confirmation, it will display "6--"; The ten digits flashing, press "▲" key to input the value " 6 ", then press "▲" and "▼" keys at same time for confirmation, it will display "66-"; Press "▲" key to input the value " 0 ", then press "▲" and "▼" keys at same time for confirmation, the password input is completed. (password: 660)

3) After the password is input, the LED displays the diameter value of the current directional air hose, press "▲" and "▼" keys to change the value. There are two values for selection: 75 and 25 (75 corresponds to the air hose with diameter of 75mm and 50mm, and 25 corresponds to the air hose with diameter of 25mm only). After selecting the value, press "▲" and "▼" keys at the same time to confirm, the current selected value flashes twice and then the air volume gear value is displayed.

8. 3. Clear the Working Time

Input the password 862 and press the "▲" and "▼" keys at the same time to confirm and clear working time.

8. 4. Replacing, Cleaning and Maintenance

Name	Replacing and Cleaning Period
Fire isolating net	It is recommended to clean with high-pressure air gun or brush every week.
Pre-filter	1 week
Middle filter	2~4 months
Main filter	3~6 months
Active carbon filter	3~6 months

9.Troubleshooting

1) **Error display:** the screen displays "OFF" and clockwise "□" alternately flashing and alarm, the fan stops working.

Reason: The air inlet is completely blocked.

Check: Turn off the power supply and check whether the absorber and air hose are blocked by foreign matters. If there is no problem after checking, open the upper cover and check whether there is foreign matter blocking the air inlet inside the machine. If the alarm still occurs after checking and restarting the machine for 1 minute, the filter shall be replaced

2) **Error display:** the screen display "ERR" and alarm, fan and motor stop working.

Reason: The fan or circuit control part is abnormal.

Check: Turn off the power supply and restart the machine to check whether it works normally; if not, please check the fan.

Warranty Card

●The warranty period of this product is calculated from the date of Purchase. During the warranty period, if the product breaks down during normal use, show the original warranty card and enjoy free service in the authorized repair company(or our company). Please keep the purchase certificate and this warranty card and show it before maintenance.

●During the warranty period, the following repairs need to be paid:
a.Unable to offer valid warranty card or certificate;
b.The purchase date, sales company and other items are not completely filled or the warranty card is altered;
c.Damage caused by failure to follow the use methods and precautions in the manual;
d.Damage caused by disassembly, repair and modification of products without authorization of the manufacturer;
e.Replacement of vulnerable and consumable parts.

●All items of the warranty card shall be completely filled in by the agent or user to obtain a 12-month warranty period.
●Please keep this warranty card properly It will not be re-offered after.

QUICK INTELLIGENT EQUIPMENT
CO., LTD.
ADD: NO.11, FengXiang Road, Wujin
High-Tech Industrial Development
Zone, Jiangsu, China
TEL: 86-519-86225678
FAX: 86-519-86558599
POSTCODE: 213167
WEBSITE: www.quick-global.com

Warranty Card

Type: _____

Model No.: _____

Serial No.: _____

Delivery Date: _____

Warranty File Card

Type: _____

Model No.: _____

Serial No.: _____

Delivery Date: _____

Address : _____

Postcode: _____

Telephone: _____

Contact Person: _____

QUICK INTELLIGENT EQUIPMENT CO., LTD.

ADD: NO.11, FengXiang Road, Wujin
High-Tech Industrial Development Zone,
Jiangsu, China

TEL: 86-519-86225678

FAX: 86-519-86558599

POSTCODE: 213167

WEBSITE: www.quick-global.com

