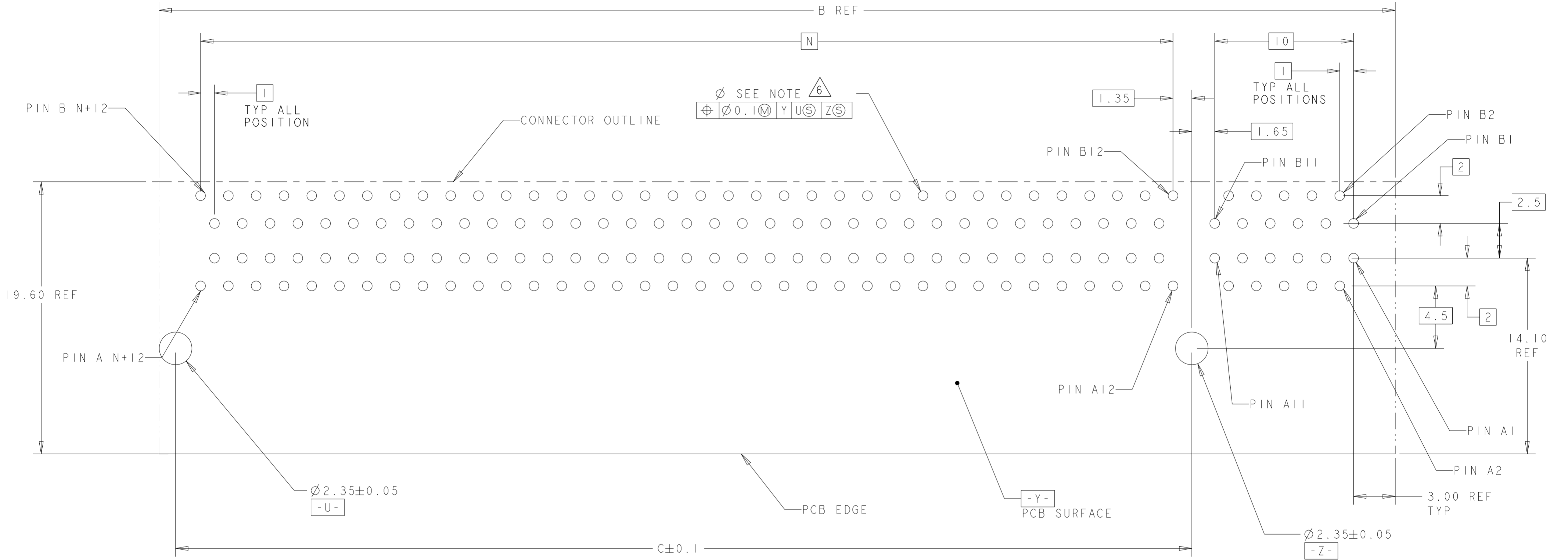


THIS DRAWING IS UNPUBLISHED. RELEASED FOR PUBLICATION 20
 © COPYRIGHT 20 BY TYCO ELECTRONICS CORPORATION. ALL RIGHTS RESERVED.

| LOC | DIST | REVISIONS | | | | | |
|-----|------|-----------|-----|-------------|------|-----|------|
| GP | 00 | P | LTR | DESCRIPTION | DATE | DWN | APVD |
| | | - | | SEE SHEET 1 | | | |



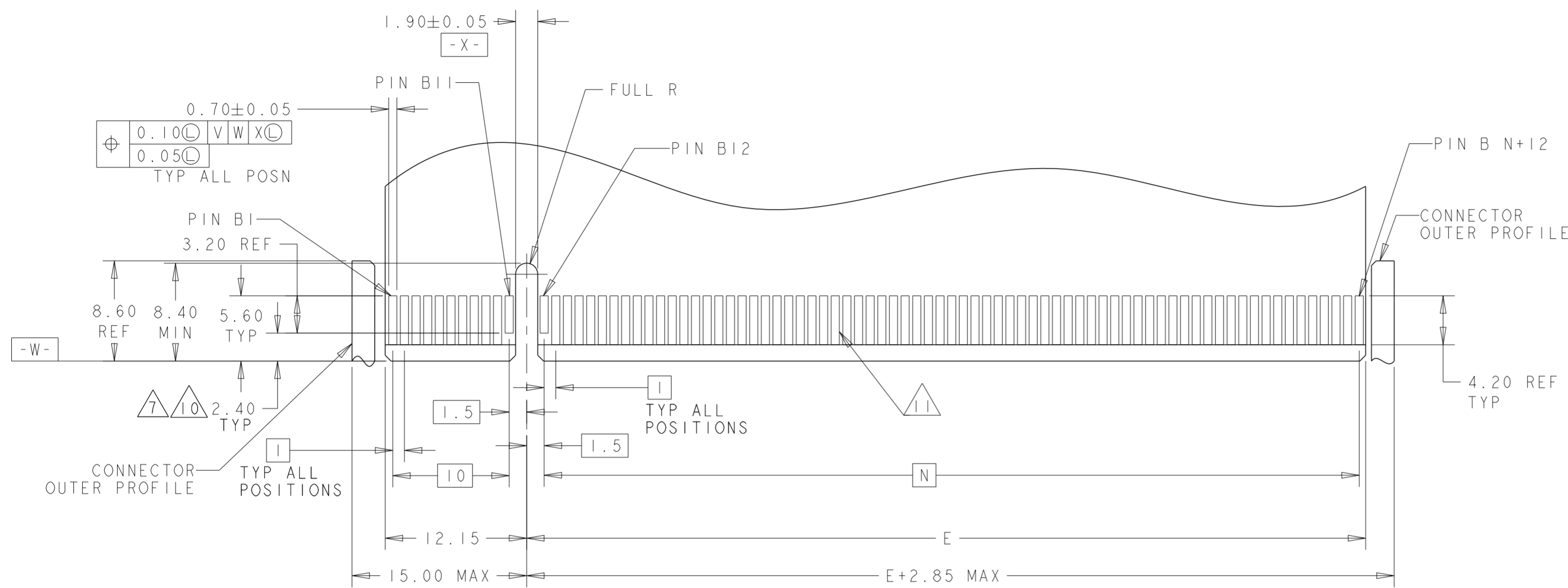
RIGHT ANGLE, ExpressModule
 PCB LAYOUT
 SCALE 5:1

6 MANUFACTURING TOLERANCE FOR Ø0.70±0.05 DIAMETER FINISHED HOLE WITH SnPB PLATING:
 DRILLED HOLE = Ø0.79±0.02
 COPPER PLATING = 0.025-0.050
 SnPB PLATING = 0.0038-0.0124
 OR Ø0.715±0.050 FINISHED HOLE WITHOUT SnPB PLATING
 DRILLED HOLE = Ø0.79±0.02
 COPPER PLATING = 0.025-0.050

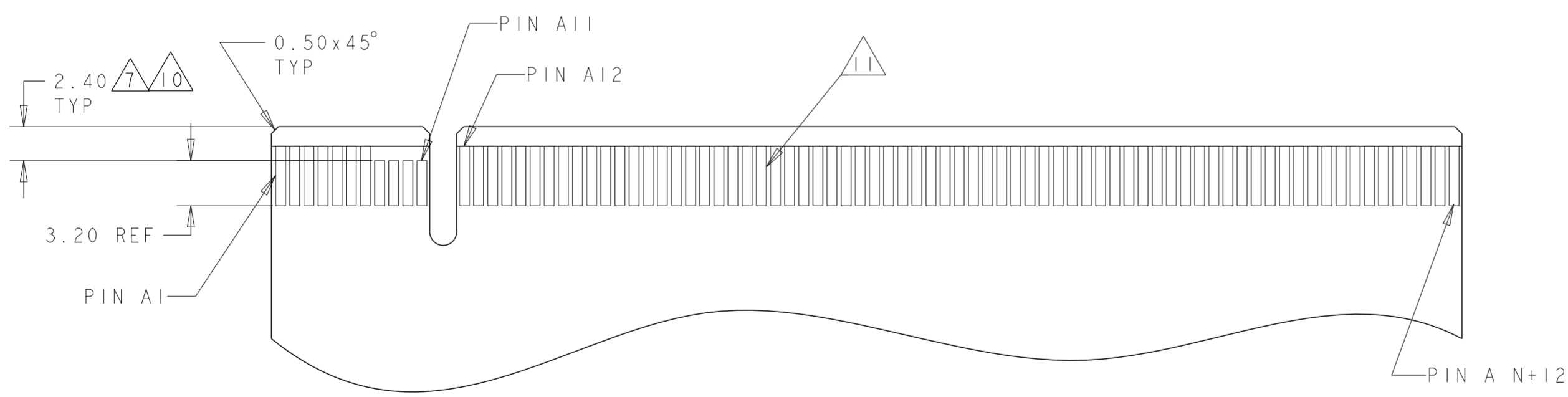
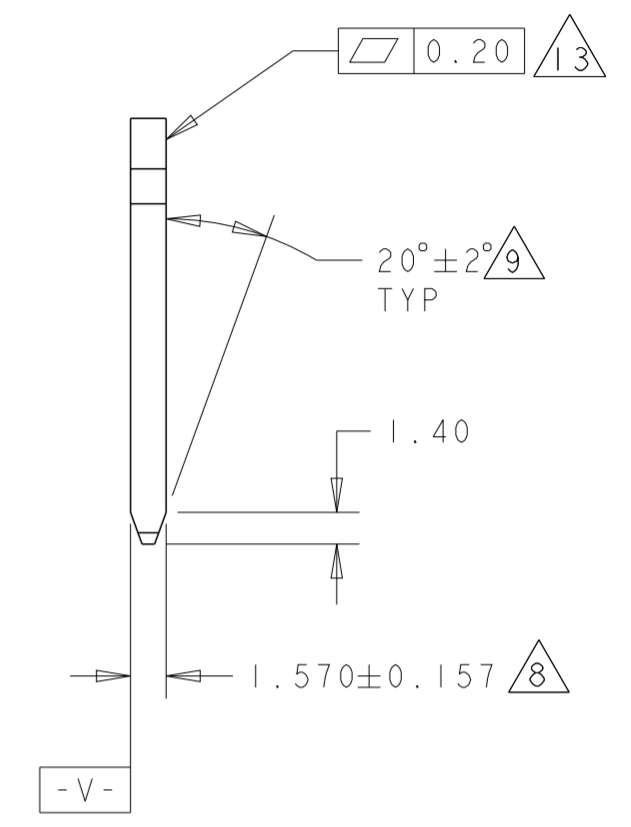
| | | | | |
|---|--|-----------------------------------|--|-------------------------|
| THIS DRAWING IS A CONTROLLED DOCUMENT FOR TYCO ELECTRONICS CORPORATION. IT IS SUBJECT TO CHANGE AND THE CONTROLLING ENGINEERING ORGANIZATION SHOULD BE CONTACTED FOR THE LATEST REVISION. | | DWN R. TREA 09SEP2004 | Tyco Electronics Harrisburg, PA 17105-3608 | |
| DIMENSIONS: mm | | CHK D. DEEIBAUGH 09SEP2004 | NAME PCI EXPRESS CARD EDGE CONNECTOR ASSEMBLY, RIGHT ANGLE, 5.8mm SLOT HEIGHT, THROUGH HOLE, ExpressModule TYPE | |
| TOLERANCES UNLESS OTHERWISE SPECIFIED: 0 PLC ±- 1 PLC ±0.5 2 PLC ±0.13 3 PLC ±0.013 4 PLC ±- ANGLES ±2° FINISH | | APVD D. DEEIBAUGH 09SEP2004 | SIZE A2 | |
| MATERIAL | | PRODUCT SPEC - | CAGE CODE 00779 | DRAWING NO C-1761465 |
| | | APPLICATION SPEC - | RESTRICTED TO | |
| | | WEIGHT - | SCALE 2:1 SHEET 2 OF 3 REV D1 | |
| | | RESTRICTED CUSTOMER | | |

THIS DRAWING IS UNPUBLISHED. RELEASED FOR PUBLICATION 20
 © COPYRIGHT 20 BY TYCO ELECTRONICS CORPORATION. ALL RIGHTS RESERVED.

| LOC | DIST | REVISIONS | | | |
|-----|------|-------------|------|-----|------|
| P | LTR | DESCRIPTION | DATE | DWN | APVD |
| GP | 00 | SEE SHEET 1 | - | - | - |
| | | | | | |
| | | | | | |



SEE SHEET 1



- 7 DIMENSION ONLY APPLIES TO "LAST MATE" PINS.
- 8 CARD THICKNESS APPLIES ACROSS PAD SURFACES AND INCLUDES PLATING AND/OR METALIZATION.
- 9 CHAMFER EDGES MUST BE FREE OF CUTTING BURRS.
- 10 NO TIE BAR PERMITTED FROM CARD EDGE TO LEADING EDGE OF "LAST MATE" PADS.
- 11 GOLD CONTACT PADS: ELECTROLESS GOLD PLATE 0.76µm MIN THICK OVER ELECTROLESS NICKEL PLATING 2µm MIN THICK.
- 12. PC BOARD SUPPLIER IS RESPONSIBLE FOR MAINTAINING ALL DIMENSIONS OF PC BOARD EDGE.
- 13 FLATNESS REQUIREMENT APPLIES FROM EDGE OF PC BOARD TO TOP OF KEY

ExpressModule LAYOUT (MATING PART ONLY)

| | | |
|------------------------|------|------|
| A1, B17, B31, B48, B81 | 280 | - |
| A1, B17, B31, B48, B81 | 164 | 16 |
| A1, B17, B31, B48 | 98 | 8 |
| A1, B17, B31 | 64 | 4 |
| A1, B17 | 36 | 1 |
| LAST MATE PINS | POS. | PORT |

THIS DRAWING IS A CONTROLLED DOCUMENT FOR TYCO ELECTRONICS CORPORATION. IT IS SUBJECT TO CHANGE AND THE CONTROLLING ENGINEERING ORGANIZATION SHOULD BE CONTACTED FOR THE LATEST REVISION.

| | | | |
|--------------|---|-----------|--|
| DWN | R. TREA | 09SEP2004 | Tyco Electronics Harrisburg, PA 17105-3608 |
| CHK | D. DEE BAUGH | 09SEP2004 | |
| APVD | D. DEE BAUGH | 09SEP2004 | |
| PRODUCT SPEC | ASSEMBLY, RIGHT ANGLE, 5.8mm SLOT HEIGHT, THROUGH HOLE, ExpressModule TYPE | | |
| MATERIAL | - | | NAME: PCI EXPRESS CARD EDGE CONNECTOR SIZE: A2 CAGE CODE: 00779 DRAWING NO: C-1761465 RESTRICTED TO: |
| DIMENSIONS: | TOLERANCES UNLESS OTHERWISE SPECIFIED: | | SCALE: 3:1 SHEET: 3 OF 3 REV: D1 |
| mm | 0 PLC ± 1 PLC ±0.5 2 PLC ±0.13 3 PLC ±0.013 4 PLC ± ANGLES ±2° FINISH | | RESTRICTED CUSTOMER |