

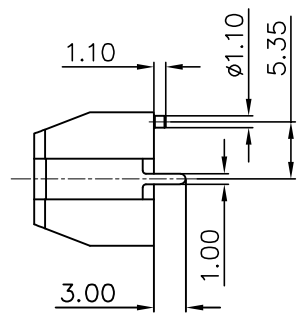
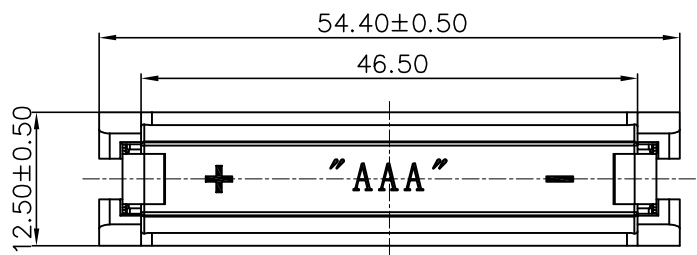


REV.	ECN NO.	REVISED	DATE

NOTE:

- 1.MATERIAL:
 a.HOUSING: PA46 UL94 V-0 BLACK
 b.CONTACT: SUS304 t=0.3MM
 (SURFACE PLATING: Ni 100-120u")
 SEE ORDERING INFORMATION

- 2.ELECTRIC:
 a.DIELECTNIC VOLTAGE: 500V AC ONE MINUTE
 b.OPERATING TEMPERATURE: -25°C~ +85°C



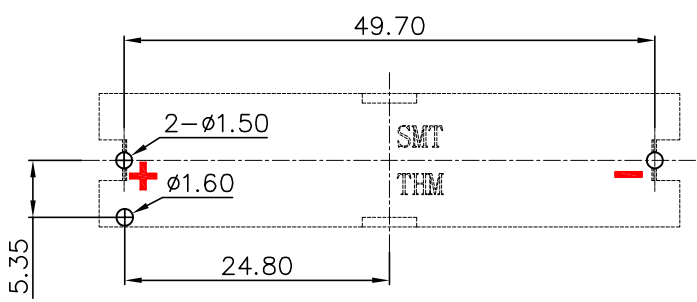
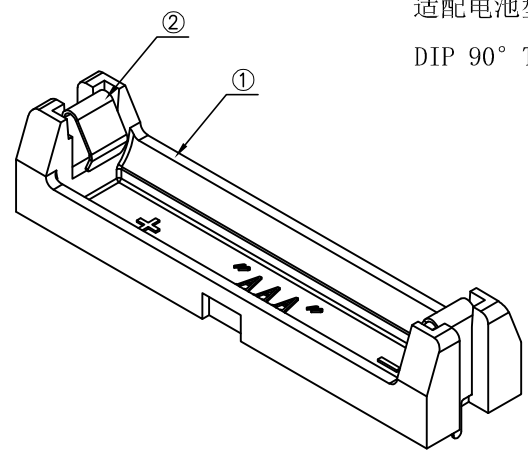
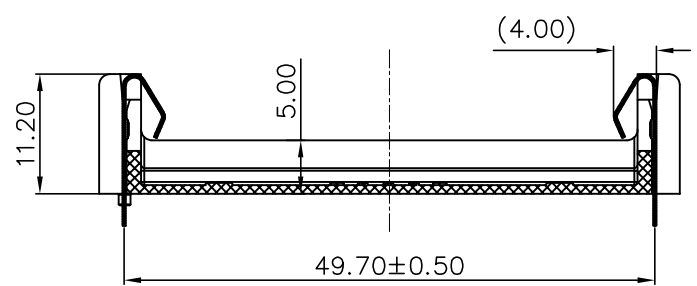
ORDERING INFORMATION

BH-AAA-A6AJ031

电池盒系列
 适配电池型号
 DIP 90° TYPE

PLATING:
 A-Au1U"
 A1-Au1.3U"
 A2-Au for salt test 72H
 A3-Au5U"
 A4-Au for salt test 48H
 J-Ni100U"~120U"
 K-Sn100U"~120U"
 K2-Sn60U"~120U" 高温锡

MATERIAL:
 1A-PBT BLACK
 1B-PA66 BLACK
 1C-PA66 BLACK UL94 V-0
 2A-PPA BROWN
 2B-PPA BLACK
 2C-PPA WHITE
 2D-PPA ADJUSTED COLOR
 2E-PPA UL94 V-0 BROWN
 6A-PA46 BLACK



PCB Layout Diagram
 BOTTOM View



UNLESS OTHERWISE SPECIFIED TOLERANCES		MYOUNG 美用 www.meiyangdz.com	
DECIMALS: X :±0.30 X.X :±0.25 X.XX :±0.20 X.XXX :±0.10	ANGLES: X :±1° X.X :±0.5°	DSND: Huanglieqing	DATE: 2024-11-18
WEIGHT:		CHKD: ZhouRuicai	DATE: 2024-11-18
SHEET 1 OF 1		APVD: XueShunyang	DATE: 2024-11-18
TITLE:		SCALE:	VIEW:
PART NO.:		SIZE: A4	REV.: A/0
DRAW NO.:MY-CP-0445		UNIT: mm	OBJECT: MY

2	TERMINAL	2	SUS304, T=0.3mm	Ni(100-120u")-Plating
1	HOUSING	1	PA46 UL94 V-0	BLACK
NO.	PART NAME	Q'TY	MATERIAL	PLATING & COLOR