

CIRCUIT DIAGRAM



## GT-TC063B-H035-L10

### G-Switch

### Operating Force

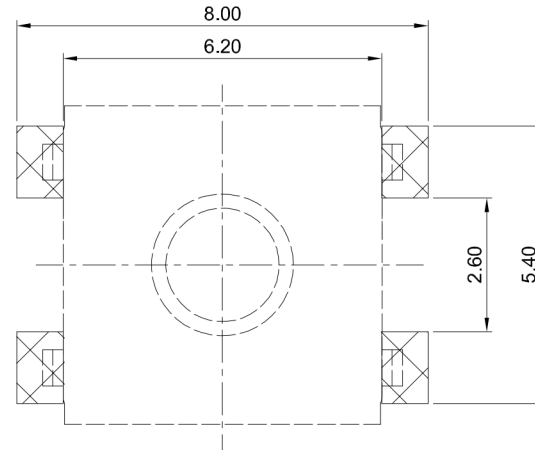
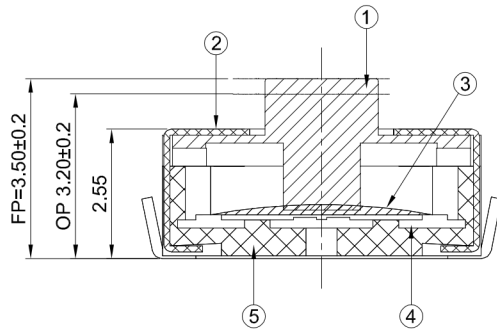
A=160gf  
B=250gf  
C=100gf  
D=350gf  
E=130gf  
F=70gf

### Switch Height

H020=2.0mm  
H025=2.5mm  
H031=3.1mm  
H035=3.5mm

### Switch Lifetime (Force)

L1=100,000 Cycles(B、D)  
L10=1000,000 Cycles(A、E)  
L30=3000,000 Cycles(C、E、F)



RECOMMENDED PCB LAYOUT  
TOLERANCE:±0.05

### G-Switch Specification:

1. Operating temperature range: -40°C ~ +85°C
2. Rating: 50mA.12V DC/1mA 1V DC
3. Insulation resistance: 100MΩ min.100V DC
4. Dielectric strength: 250V AC for 1 min
5. Contact resistance:200mΩ max.
6. Travel: 0.25±0.1mm

5	BASE	HIGH TEMPERATURE PLASTIC	PA BLACK
4	TERMINAL	COPPER ALLOY	Ag PLATING
3	CONTACT	STAINLESS STEEL301	Ag PLATING
2	COVER	STAINLESS STEEL301	
1	STEM	HIGH TEMPERATURE RESISTANT SILICONE	GREY
NO.	PART NAME	MATERIAL	REMARK



**RoHS**  
Compliant  
EU RoHS Standards



SCALE: 1:1 UNIT: mm  
SIZE: A4

Unless otherwise  
General Tolerance:  
X. ±0.25  
X.x ±0.20  
X.xx ±0.15  
X° ±5°  
X.x° ±3°

Title: Vertical Tact Switch  
SMT U Type 6.2×6.2×4.3mm

Molde Code: GT-TC063XB-H035-L10

DRAWN	CHECKED	APPROVED	DATE
Xia	Chen	Chen	2023.02.01

品赞科技®  
**b-Switch**  
www.dg-switch.com

REV: A0 SHEET: 1/1