

LH10-23B SERIES**----STANDARD PACKAGED AC-DC MODULE POWER SUPPLY**

10W

**Product features**

- Wide voltage input range 85 ~ 305VAC (100 ~ 430VDC)
- Working temperature -40°C ~ +85°C
- Complete protection functions (short circuit protection self-recovery, etc.)
- High efficiency, high reliability
- Stable output, low ripple noise
- Industrial product technical design

APPLIED RANGE

Power systems for wireless networks, telecommunications/data communication, power systems, industrial control systems, measurement instruments, and intelligent fields. Suitable for designs requiring large input range fluctuations, power isolation, compact board space, as well as modular product functionality to enhance reliability.

PRODUCT MODEL

Model	Output voltage Vo	Output Io	Productiveness (TYP)
LH10-23B05R2	5V	2000mA	78%
LH10-23B12R2	12V	833mA	82%
LH10-23B15R2	15V	660mA	83%
LH10-23B24R2	24V	416mA	84%

* IF YOU NEED OTHER SPECIFICATIONS AND MODELS, PLEASE CONTACT US DIRECTLY.

INPUT CHARACTERISTICS

input voltage range	85 ~ 305VAC (100 ~ 430VDC)	
incoming frequency	47 ~ 63Hz	
input current	260mA (TYP) @115VAc	160mA (TYP)@ 230VAc
External fuse (recommended value)	2A/250V slow break	

OUTPUT CHARACTERISTIC

Output voltage stabilization accuracy (main circuit)	±2%
Source effect (main road)	±0.5% (typ)
Load adjustment ratio (10%~100%)	±1% (typ)

Minimum load	10%
Output ripple + noise (peak-to-peak)	100mV(typ) (20MHz Bandwidth)
short-circuit protection	Can be short-term, self-restore
Output overvoltage protection	≥1.1 times

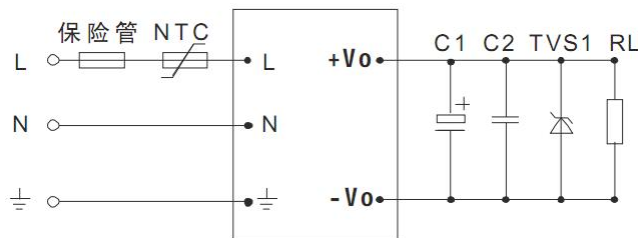
GENERAL CHARACTERISTIC

temperature characteristic	working temperature	-40°C ~ +85°C
	Power downgrades	
	Storage temperature case temperature	3.75%/ °C ,
Time of outage		40ms(typ)/ at Vin:320Vdc
Humidity		85%RH(max)
Warming up		0.02%/°C
switching frequency		65kHz(typ)
Isolation voltage	Input-output	3000Vac/1Min
	Output--Output	500Vdc/1Min
Leakage current		<5mA RMS typ. 230VAC/50Hz
* Electromagnetic compatibility electrostatic discharge	IEC/EN 61000-4-2 level 3 6kV/8kV	
:: Radio frequency radiation immunity	IEC/EN 61000-4-3	
* Electrical rapid transient pulse group	IEC/EN 61000-4-4 level 3 2 kV	
* surge	IEC/EN 61000-4-5 level 3 1kV/2kV	
:: Conduction/radiation		EN55022, level A
security classification		CLASS I
Enclosure class		UL94V-0 flame retardant plastic
install		PCB
MTBF		>200,000h @25°C

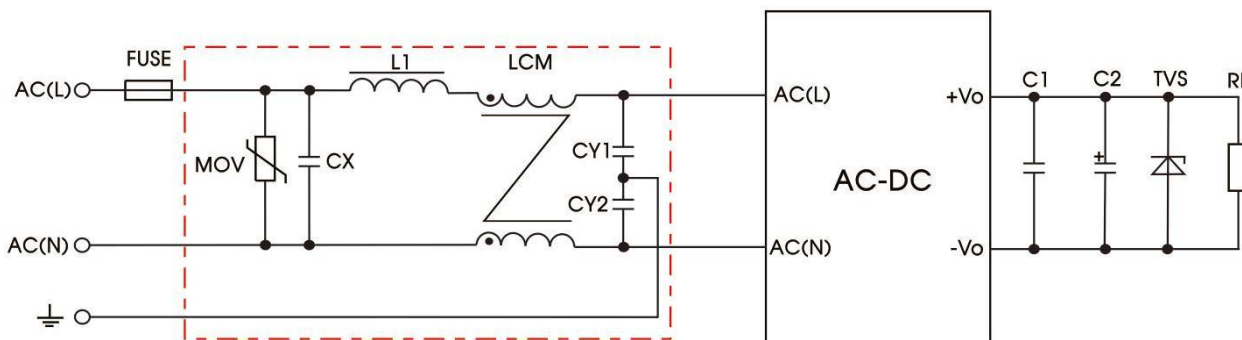
Note: 1. To mark the * test item, it is necessary to add peripheral EMC recommended circuit;

2. All the above data are measured under the condition of TA=25°C and humidity <75% unless otherwise specified.

Typical applications

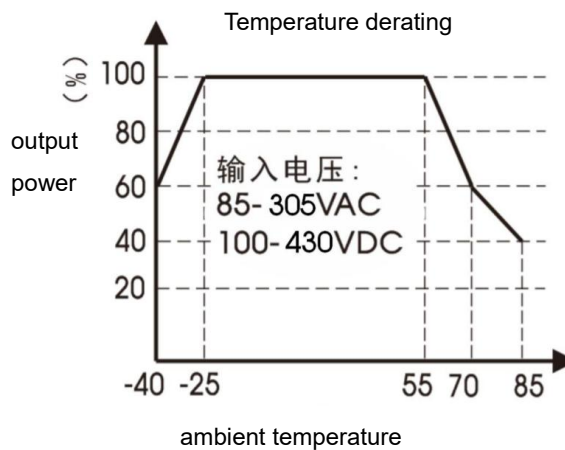
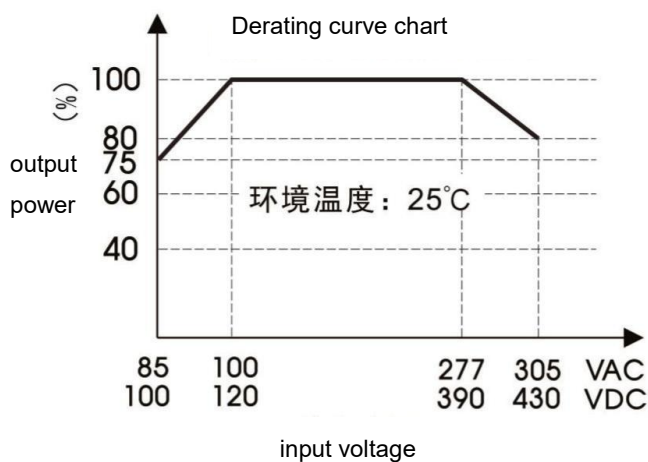


EMC recommended circuits

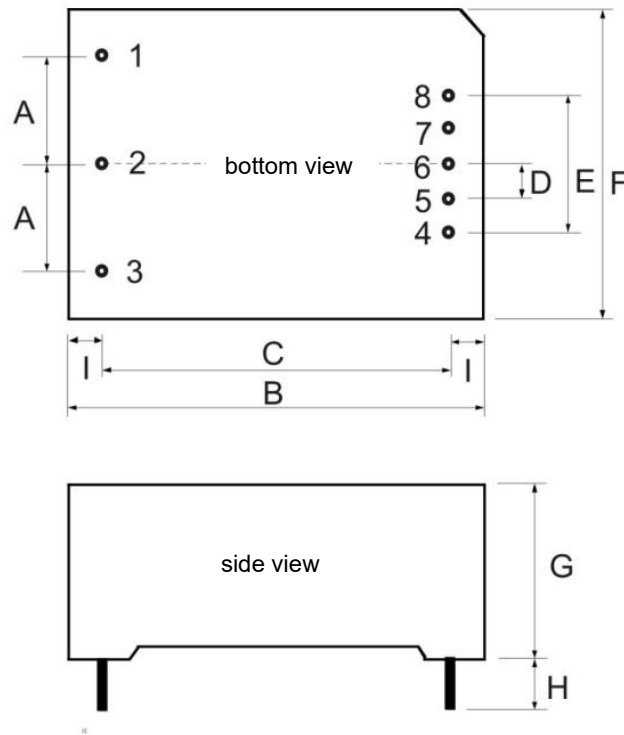


device	Recommended value
MOV	14D561
CY1、CY2	1000pF/400VAC
CX	0.1uF/275VAC
LCM	>10mH
L1	4.7uH/2A
FUSE	2A/250V, slow break

INPUT VOLTAGE AND LOAD RELATIONSHIP TEMPERATURE AND LOAD RELATIONSHIP DIAGRAM



APPEARANCE AND SIZE



Unit: mm Tolerance: $\pm 0.5\text{mm}$

Sizing specification :

tab	A	B	C	D	E	F	G	H
size	17.5	55	47	5	20	45	21	4

Pin definition:

pin	1	2	3	4	5	6	7	8
definition	AC(L)	AC(N)	NC	-Vo	NP	NP	NP	+Vo

E-mail:sales@lyztec.com

Tel: +86 0756-6358688

ADD: 3rd Floor, Building 3, No. 9 Jinheng 1st Road, High tech Zone, Zhuhai City, Guangdong Province, China