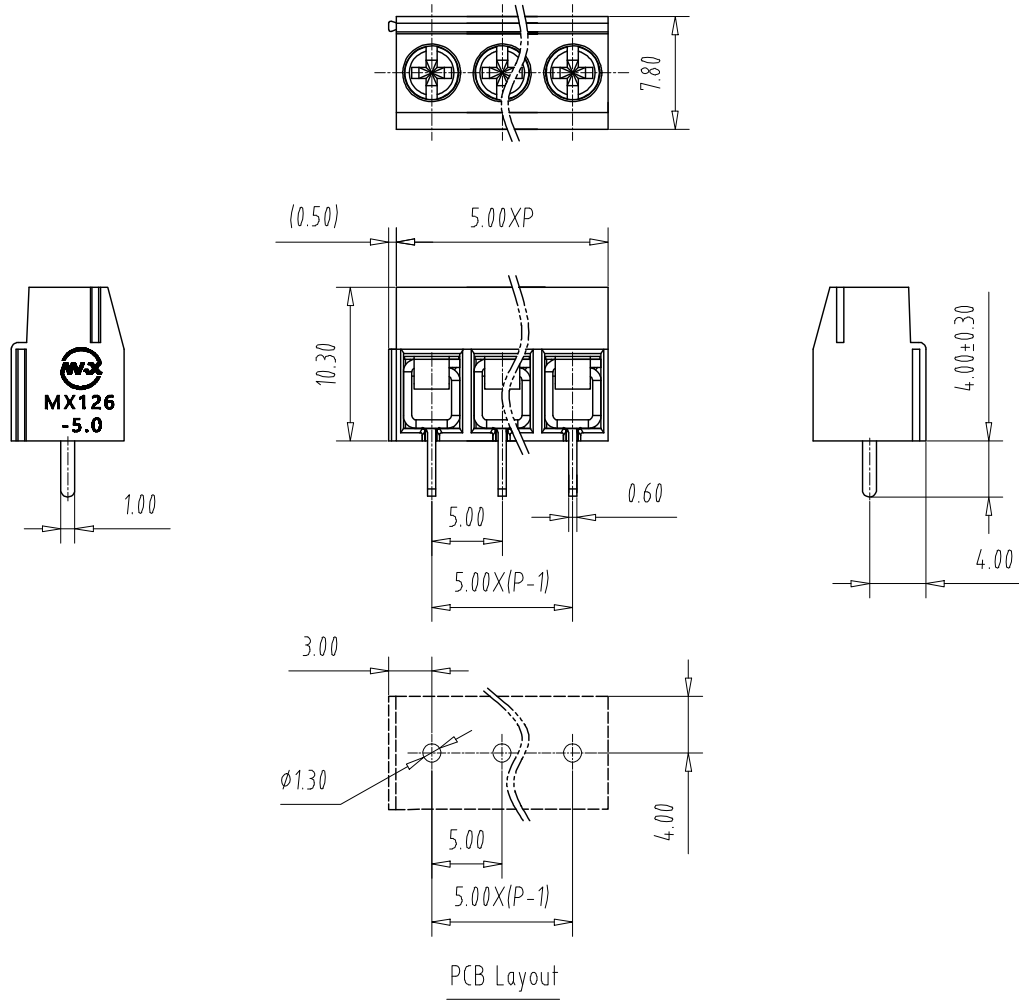


注: 未经允许禁止传输、复制、编辑该文档, 以及利用其内容进行交流

REV	E.C.N NO.	CONTENT	CHK	DATE



NOTES1:

UL Standard

- 1.Rating voltage/current: 300V/10A
- 2.withstanding voltage: AC2000V/1Min
- 3.Torque value: M2.5, 3.54Lb.in
- 4.Wire range: 26~14AWG

IEC Standard

1. Pollution Degree	3	2	2
Overvoltage Category	III	III	II
Rate Impulse Voltage(KV)	/	/	/
Rate Voltage(V)	/	250V	/
Rate Current(A)	/	15A	/

2. Torque value: M2.5, 0.4Nm
- 3.wire range: 0.5~2.5mm²

NOTES2:

- 1.Housing: PA66(UL94V-0)
- 2.Solder Pin: Copper alloy(Sn Plated)
- 3.Spring: Stainless Steel
- 4.Screw: Steel(M2.5,Zn Plated)

NOTES3:

- 1.Pitch: 5.0mm Poles: 02-24P
- 2.Stripping length: 6-7mm
- 3.Operating temperature: -40℃~+105℃
- 4.RoHS Compliance

How to order

MX126 - 5.0 - XXP - XXXX - XX - X - X

产品型号 间距 极数 颜色 01:常规颜色 A-Z其他定制

灰色:GY 橙色:OE 02-99: 0:Y一字螺丝

蓝色:BU 红色:RD 定制颜色 1:S十字螺丝

黑色:BK 透明色:TT Cu:铜方块 2:PS平头十字螺丝

绿色:GN 黄色:YW Fe:铁方块

白色:WE

Pitch Range In mm			Nominal Dimension Range In mm					—	∩	□
TO	Over 6	Over 10	TO	Over 30	Over 60	Over 100	Over 150	0.1/10		
6	10	24	30	60	100	150		<		
±0.15	±0.20	±0.30	±0.30	±0.50	±0.70	±1.00	±1.30	±2°		

ITEM	NAME OF PART		NO. OF PART	Q"TY	MATERIAL		NOTE
DWG.	CKK	DATE	22.09.14	UNITS	MM	SHEET/OF	1/1
CHK.		DATE		SCALE	1:1	A4	
APP.		DATE					
CIXI MAIXU ELECTRONICS CO.,LTD.				NAME		MX126-5.0-XXP	
慈溪市迈旭电子有限公司				DWGNO.			