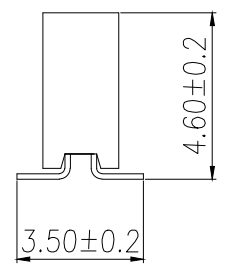
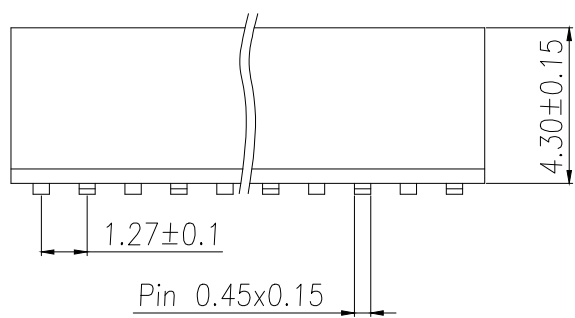


RECOMMEND P.C.B LAYOUT  
PCB TOLERANCE:±0.05 (TOP VIEW)

SPECIFICATIONS

Current Rating: 1.0 Amps  
Withstanding Voltage:AC 500V  
Insulation Resistance:1000MΩ Min  
Contact Resistance:20mΩ Max  
Operation Temperature:-40°to+105°  
Insulator Material:Polyester(UL94V-0)  
Contact Material:Phosphor bronze  
Standard:PA6T  
Contact Plating:Gold Flash  
Max.Processing Temp:240°C for30-60seconds  
(260°C for5seconds)



P/N	PIN	DIM.A	DIM.B
BX-PM1.27-1-1PU-W	1	0.00	1.27
BX-PM1.27-1-2PU-W	2	1.27	2.54
BX-PM1.27-1-3PU-W	3	2.54	3.81
BX-PM1.27-1-4PU-W	4	3.81	5.08
BX-PM1.27-1-5PU-W	5	5.08	6.35
BX-PM1.27-1-6PU-W	6	6.35	7.62
BX-PM1.27-1-7PU-W	7	7.62	8.89
BX-PM1.27-1-8PU-W	8	8.89	10.16
BX-PM1.27-1-9PU-W	9	10.16	11.43
.....	.....	.....	.....
BX-PM1.27-1-50PU-W	50	(PIN-1)x1.27	(PIN)x1.27

制图 DRAWN	变更内容 DESCRIPTION	日期 DATE	GENERAL TOLERANCE		制图 DRAWING	EMMA		料号 PART NO.	BX-PM1.27-1-NPU-W		版本 REV.	A
			X.±0.30	X.*±5°	审核 CHECK	EVA		品名 TITLE	1.27FH H4.3 1xNPin SMT W2.1 Um PCB3.5 PDA.6 6T(888)		页次 SHEET	1/1
			.X±0.20	.X*±1°	核准 APPROVAL	JADE		客户料号 CUTM.NO.				
			.XX±0.10	.XX*±0.5°	单位 UNITS	MM	比例 SCALE	1:1		Bossie (博锡)		