

# RL78/L1C Group

Renesas Starter Kit User's Manual  
For CubeSuite+

RENESAS MCU  
RL78 Family / L1X Series

All information contained in these materials, including products and product specifications, represents information on the product at the time of publication and is subject to change by Renesas Electronics Corporation without notice. Please review the latest information published by Renesas Electronics Corporation through various means, including the Renesas Electronics Corporation website (<http://www.renesas.com>).

## Notice

1. Descriptions of circuits, software and other related information in this document are provided only to illustrate the operation of semiconductor products and application examples. You are fully responsible for the incorporation of these circuits, software, and information in the design of your equipment. Renesas Electronics assumes no responsibility for any losses incurred by you or third parties arising from the use of these circuits, software, or information.
2. Renesas Electronics has used reasonable care in preparing the information included in this document, but Renesas Electronics does not warrant that such information is error free. Renesas Electronics assumes no liability whatsoever for any damages incurred by you resulting from errors in or omissions from the information included herein.
3. Renesas Electronics does not assume any liability for infringement of patents, copyrights, or other intellectual property rights of third parties by or arising from the use of Renesas Electronics products or technical information described in this document. No license, express, implied or otherwise, is granted hereby under any patents, copyrights or other intellectual property rights of Renesas Electronics or others.
4. You should not alter, modify, copy, or otherwise misappropriate any Renesas Electronics product, whether in whole or in part. Renesas Electronics assumes no responsibility for any losses incurred by you or third parties arising from such alteration, modification, copy or otherwise misappropriation of Renesas Electronics product.
5. Renesas Electronics products are classified according to the following two quality grades: "Standard" and "High Quality". The recommended applications for each Renesas Electronics product depends on the product's quality grade, as indicated below.  
"Standard": Computers; office equipment; communications equipment; test and measurement equipment; audio and visual equipment; home electronic appliances; machine tools; personal electronic equipment; and industrial robots etc.  
"High Quality": Transportation equipment (automobiles, trains, ships, etc.); traffic control systems; anti-disaster systems; anti-crime systems; and safety equipment etc.  

Renesas Electronics products are neither intended nor authorized for use in products or systems that may pose a direct threat to human life or bodily injury (artificial life support devices or systems, surgical implantations etc.), or may cause serious property damages (nuclear reactor control systems, military equipment etc.). You must check the quality grade of each Renesas Electronics product before using it in a particular application. You may not use any Renesas Electronics product for any application for which it is not intended. Renesas Electronics shall not be in any way liable for any damages or losses incurred by you or third parties arising from the use of any Renesas Electronics product for which the product is not intended by Renesas Electronics.
6. You should use the Renesas Electronics products described in this document within the range specified by Renesas Electronics, especially with respect to the maximum rating, operating supply voltage range, movement power voltage range, heat radiation characteristics, installation and other product characteristics. Renesas Electronics shall have no liability for malfunctions or damages arising out of the use of Renesas Electronics products beyond such specified ranges.
7. Although Renesas Electronics endeavors to improve the quality and reliability of its products, semiconductor products have specific characteristics such as the occurrence of failure at a certain rate and malfunctions under certain use conditions. Further, Renesas Electronics products are not subject to radiation resistance design. Please be sure to implement safety measures to guard them against the possibility of physical injury, and injury or damage caused by fire in the event of the failure of a Renesas Electronics product, such as safety design for hardware and software including but not limited to redundancy, fire control and malfunction prevention, appropriate treatment for aging degradation or any other appropriate measures. Because the evaluation of microcomputer software alone is very difficult, please evaluate the safety of the final products or systems manufactured by you.
8. Please contact a Renesas Electronics sales office for details as to environmental matters such as the environmental compatibility of each Renesas Electronics product. Please use Renesas Electronics products in compliance with all applicable laws and regulations that regulate the inclusion or use of controlled substances, including without limitation, the EU RoHS Directive. Renesas Electronics assumes no liability for damages or losses occurring as a result of your noncompliance with applicable laws and regulations.
9. Renesas Electronics products and technology may not be used for or incorporated into any products or systems whose manufacture, use, or sale is prohibited under any applicable domestic or foreign laws or regulations. You should not use Renesas Electronics products or technology described in this document for any purpose relating to military applications or use by the military, including but not limited to the development of weapons of mass destruction. When exporting the Renesas Electronics products or technology described in this document, you should comply with the applicable export control laws and regulations and follow the procedures required by such laws and regulations.
10. It is the responsibility of the buyer or distributor of Renesas Electronics products, who distributes, disposes of, or otherwise places the product with a third party, to notify such third party in advance of the contents and conditions set forth in this document, Renesas Electronics assumes no responsibility for any losses incurred by you or third parties as a result of unauthorized use of Renesas Electronics products.
11. This document may not be reproduced or duplicated in any form, in whole or in part, without prior written consent of Renesas Electronics.
12. Please contact a Renesas Electronics sales office if you have any questions regarding the information contained in this document or Renesas Electronics products, or if you have any other inquiries.

(Note 1) "Renesas Electronics" as used in this document means Renesas Electronics Corporation and also includes its majority-owned subsidiaries.

(Note 2) "Renesas Electronics product(s)" means any product developed or manufactured by or for Renesas Electronics.

## Disclaimer

By using this Renesas Starter Kit (RSK), the user accepts the following terms:

The RSK is not guaranteed to be error free, and the entire risk as to the results and performance of the RSK is assumed by the User. The RSK is provided by Renesas on an "as is" basis without warranty of any kind whether express or implied, including but not limited to the implied warranties of satisfactory quality, fitness for a particular purpose, title and non-infringement of intellectual property rights with regard to the RSK. Renesas expressly disclaims all such warranties. Renesas or its affiliates shall in no event be liable for any loss of profit, loss of data, loss of contract, loss of business, damage to reputation or goodwill, any economic loss, any reprogramming or recall costs (whether the foregoing losses are direct or indirect) nor shall Renesas or its affiliates be liable for any other direct or indirect special, incidental or consequential damages arising out of or in relation to the use of this RSK, even if Renesas or its affiliates have been advised of the possibility of such damages.

## Precautions

The following precautions should be observed when operating any RSK product:

This Renesas Starter Kit is only intended for use in a laboratory environment under ambient temperature and humidity conditions. A safe separation distance should be used between this and any sensitive equipment. Its use outside the laboratory, classroom, study area or similar such area invalidates conformity with the protection requirements of the Electromagnetic Compatibility Directive and could lead to prosecution.

The product generates, uses, and can radiate radio frequency energy and may cause harmful interference to radio communications. However, there is no guarantee that interference will not occur in a particular installation. If this equipment causes harmful interference to radio or television reception, which can be determined by turning the equipment off or on, you are encouraged to try to correct the interference by one or more of the following measures;

- ensure attached cables do not lie across the equipment
- reorient the receiving antenna
- increase the distance between the equipment and the receiver
- connect the equipment into an outlet on a circuit different from that which the receiver is connected
- power down the equipment when not in use
- consult the dealer or an experienced radio/TV technician for help NOTE: It is recommended that wherever possible shielded interface cables are used.

The product is potentially susceptible to certain EMC phenomena. To mitigate against them it is recommended that the following measures be undertaken;

- The user is advised that mobile phones should not be used within 10m of the product when in use.
- The user is advised to take ESD precautions when handling the equipment.

The Renesas Starter Kit does not represent an ideal reference design for an end product and does not fulfil the regulatory standards for an end product.

# How to Use This Manual

## 1. Purpose and Target Readers

This manual is designed to provide the user with an understanding of the RSK hardware functionality, and electrical characteristics. It is intended for users designing sample code on the RSK platform, using the many different incorporated peripheral devices.

The manual comprises of an overview of the capabilities of the RSK product, but does not intend to be a guide to embedded programming or hardware design. Further details regarding setting up the RSK and development environment can found in the tutorial manual.

Particular attention should be paid to the precautionary notes when using the manual. These notes occur within the body of the text, at the end of each section, and in the Usage Notes section.

The revision history summarizes the locations of revisions and additions. It does not list all revisions. Refer to the text of the manual for details.

The following documents apply to the RL78/L1C Group. Make sure to refer to the latest versions of these documents. The newest versions of the documents listed may be obtained from the Renesas Electronics Web site.

Document Type	Description	Document Title	Document No.
User's Manual	Describes the technical details of the RSK hardware.	RSKRL78L1C User's Manual	R20UT2203EG
Tutorial	Provides a guide to setting up RSK environment, running sample code and debugging programs.	RSKRL78L1C Tutorial Manual	R20UT2204EG
Quick Start Guide	Provides simple instructions to setup the RSK and run the first sample.	RSKRL78L1C Quick Start Guide	R20UT2205EG
Code Generator Tutorial	Provides a guide to code generation and importing into the CubeSuite+ IDE.	RSKRL78L1C Code Generator Tutorial Manual	R20UT2887EG
Schematics	Full detail circuit schematics of the RSK.	RSKRL78L1C Schematics	R20UT2202EG
Hardware Manual	Provides technical details of the RL78/L1C microcontroller.	RL78/L1C Group Hardware Manual	R01UH0409EJ

## 2. List of Abbreviations and Acronyms

Abbreviation	Full Form
ADC	Analog-to-Digital Converter
E1	On-chip Debugger
ESD	Electrostatic Discharge
IIC	Philips™ Inter-Integrated Circuit Connection Bus
IRQ	Interrupt Request
EMC	Electromagnetic Compatibility
LCD	Liquid Crystal Display
LED	Light Emitting Diode
EMC	Electromagnetic Compatibility
MCU	Micro-controller Unit
n/a or NA	Not applicable
n/c or NC	Not connected
PC	Personal Computer
RSK	Renesas Starter Kit
SAU	Serial Array Unit
TAU	Timer Array Unit
UART	Universal Asynchronous Receiver/Transmitter
USB	Universal Serial Bus

# Table of Contents

1. Overview.....	7
1.1 Purpose.....	7
1.2 Features.....	7
2. Power Supply .....	8
2.1 Requirements.....	8
2.2 Power-Up Behaviour.....	8
3. Board Layout .....	9
3.1 Component Layout.....	9
3.2 Board Dimensions.....	10
3.3 Component Placement .....	11
4. Connectivity .....	12
4.1 Internal RSK Connections.....	12
4.2 Debugger Connections .....	13
5. User Circuitry .....	14
5.1 Reset Circuit .....	14
5.2 Clock Circuit.....	14
5.3 Switches.....	14
5.4 LEDs .....	15
5.5 Potentiometer.....	15
5.6 LCD Panel.....	16
5.7 Debug LCD Module .....	17
5.8 RS232 Serial Port .....	17
5.9 Local Interconnect Network (LIN) .....	18
5.10 USB Function.....	18
6. Configuration .....	19
6.1 Modifying the RSK .....	19
6.2 RS232 Serial Port Configuration.....	20
6.3 E1 Debugger Interface.....	21
6.4 LCD Panel Configuration .....	22
6.5 LED/Timer Pin Configuration .....	22
6.6 IIC Pin Configuration.....	23
6.7 Power Supply Configuration .....	23
6.8 Clock Circuit Configuration .....	24
6.9 ADC Configuration .....	24
6.10 LIN Configuration .....	24
7. Headers .....	25
7.1 Application Headers.....	25
7.2 Microcontroller Pin Headers .....	29
8. Code Development .....	31
8.1 Overview .....	31
8.2 Compiler Restrictions.....	31
8.3 Mode Support .....	31
8.4 Debugging Support.....	31
8.5 Address Space.....	32
9. Additional Information .....	33

## **1. Overview**

### **1.1 Purpose**

This RSK is an evaluation tool for Renesas microcontrollers. This manual describes the technical details of the RSK hardware. The Quick Start Guide and Tutorial Manual provide details of the software installation and debugging environment.

### **1.2 Features**

This RSK provides an evaluation of the following features:

- Renesas microcontroller programming
- User code debugging
- User circuitry such as switches, LEDs and a potentiometer
- Sample application
- Sample peripheral device initialisation code

The RSK board contains all the circuitry required for microcontroller operation.

## 2. Power Supply

### 2.1 Requirements

This RSK is supplied with an E1 debugger. The debugger is able to power the RSK board with up to 200mA. When the RSK is connected to another system then that system should supply power to the RSK. This board has an optional centre positive supply connector using a 2.0mm barrel power jack.

Details of the external power supply requirements for the RSK, and configuration are shown in **Table 2-1** below. The default RSK power configuration is shown in **bold, blue text**.

J6 Setting	J7 Setting	J8 Setting	Supply Type	Board_VDD
Pin2-3 shorted	Pin2-3 shorted	All open	PWR, VBUS, CON_5V	3.3V
<b>Pin1-2 shorted</b>	<b>Pin1-2 shorted</b>	<b>Don't care</b>	<b>E1(3.3V), CON_3V3</b>	<b>3.3V</b>
Pin2-3 shorted	Pin2-3 shorted	Pin1-2 shorted	PWR, VBUS, CON_5V	1.8V
Pin2-3 shorted	Pin2-3 shorted	Pin2-3 shorted	PWR, VBUS, CON_5V	1.62V
All open	All open	All open	DO NOT SET	---

**Table 2-1: Main Power Supply Requirements**

The main power supply connected to PWR1 should supply a minimum of 5W to ensure full functionality.
---

### 2.2 Power-Up Behaviour

When the RSK is purchased, the RSK board has the 'Release' or stand-alone code from the example tutorial software pre-programmed into the Renesas microcontroller. On powering up the board the LCD panel will show 'RL78' in the bottom left and will respond to SW3 switch presses by performing an A/D conversion and displaying the result in the main part of the LCD panel.

### 3. Board Layout

#### 3.1 Component Layout

Figure 3-1 below shows the top component layout of the board.

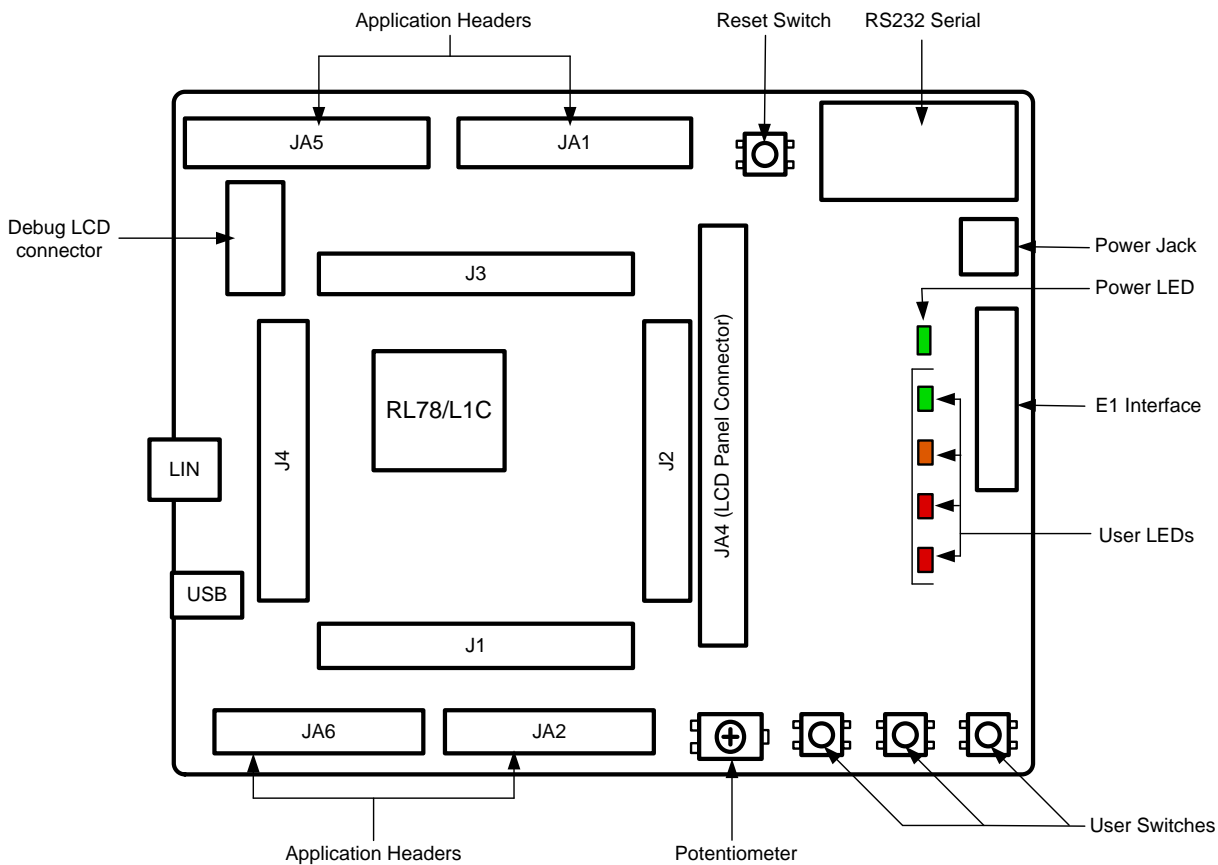


Figure 3-1: Board Layout

### 3.2 Board Dimensions

Figure 3-2 below gives the board dimensions and connector positions. All the through-hole connectors are on a common 0.1 inch grid for easy interfacing.

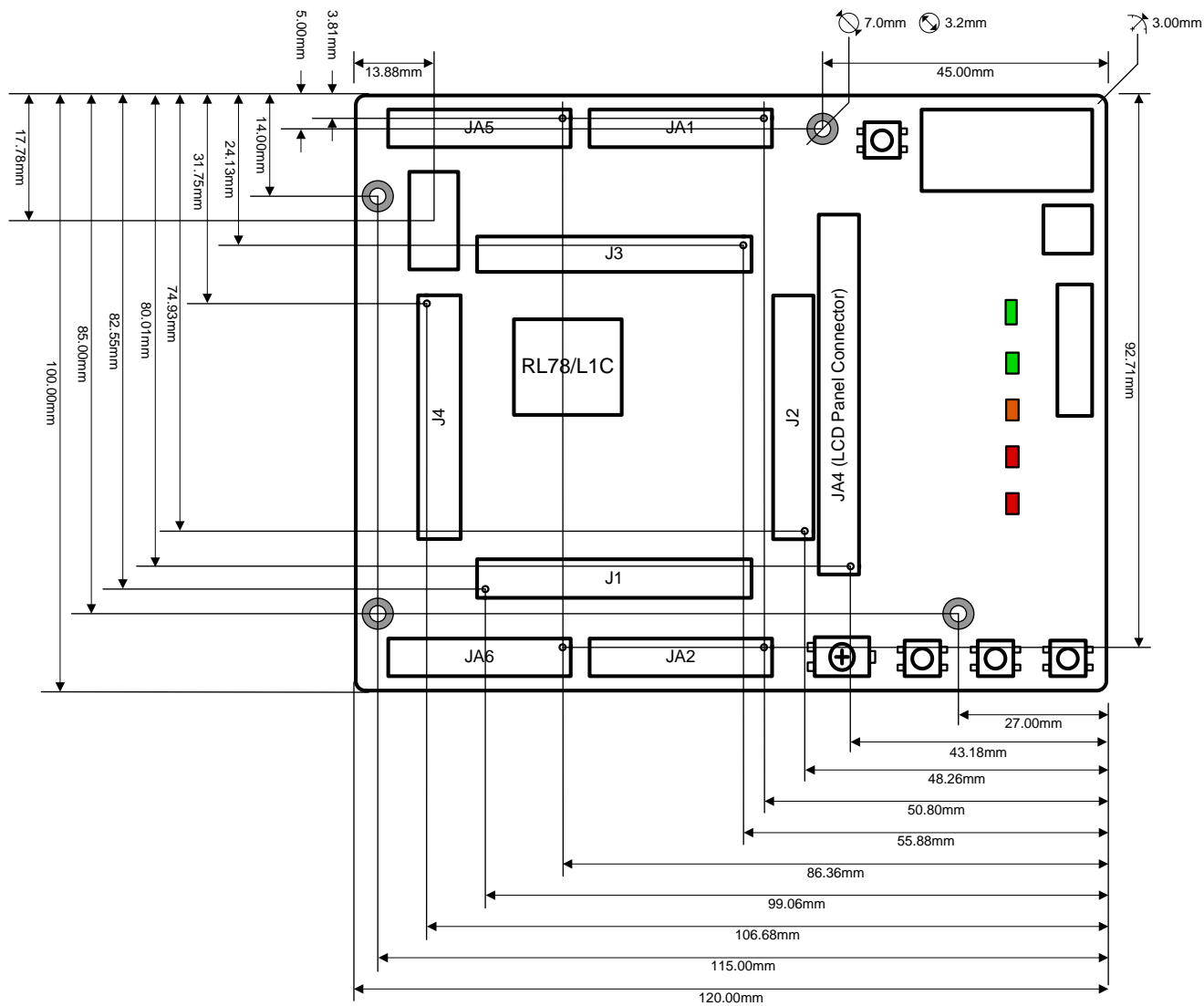


Figure 3-2: Board Dimensions

### 3.3 Component Placement

Figure 3-3 below shows placement of individual components on the top-side PCB. Component types and values can be looked up using the board schematics.

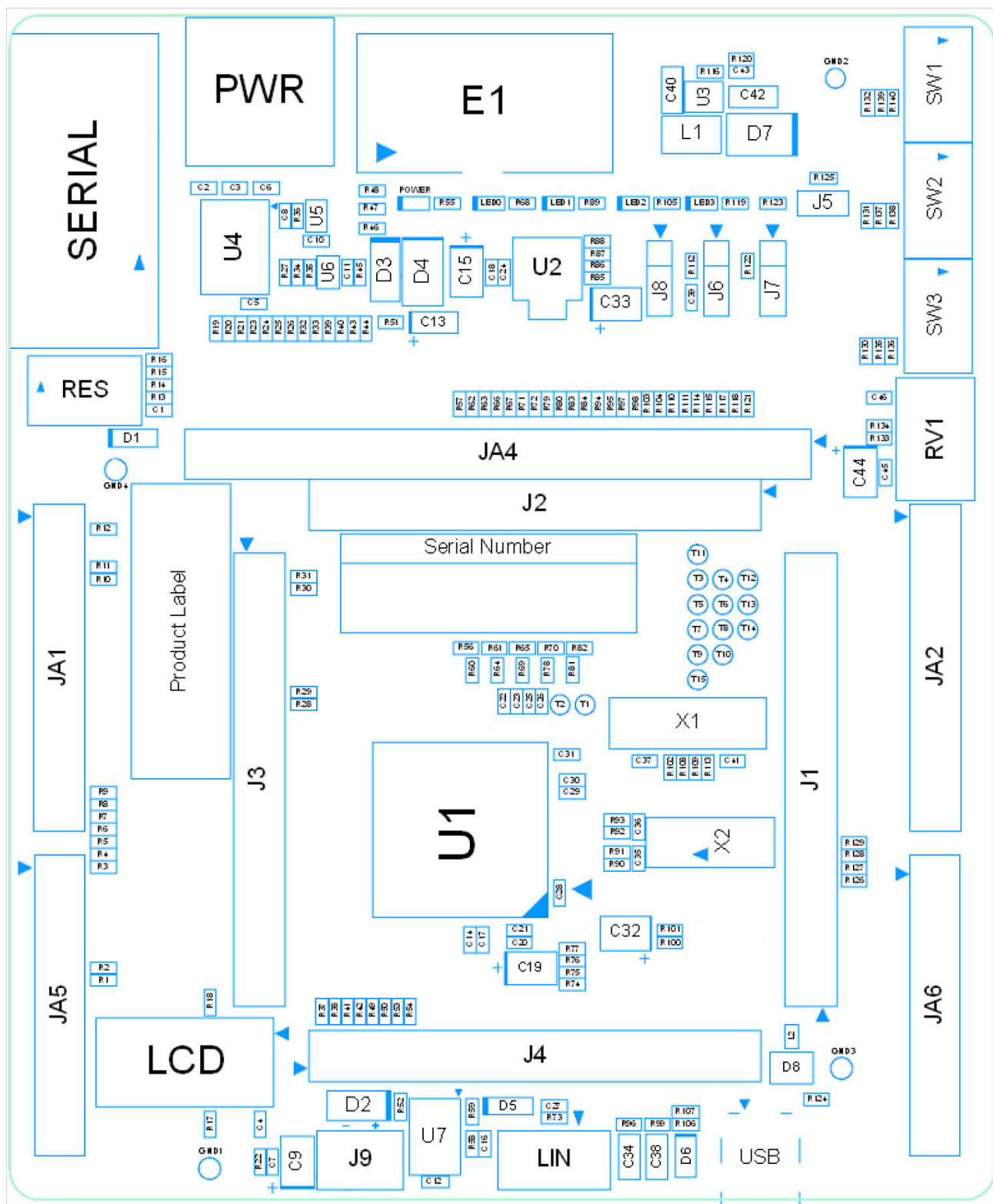


Figure 3-3: Top-Side Component Placement

## 4. Connectivity

### 4.1 Internal RSK Connections

The diagram below shows the RSK board components and their connectivity to the MCU.

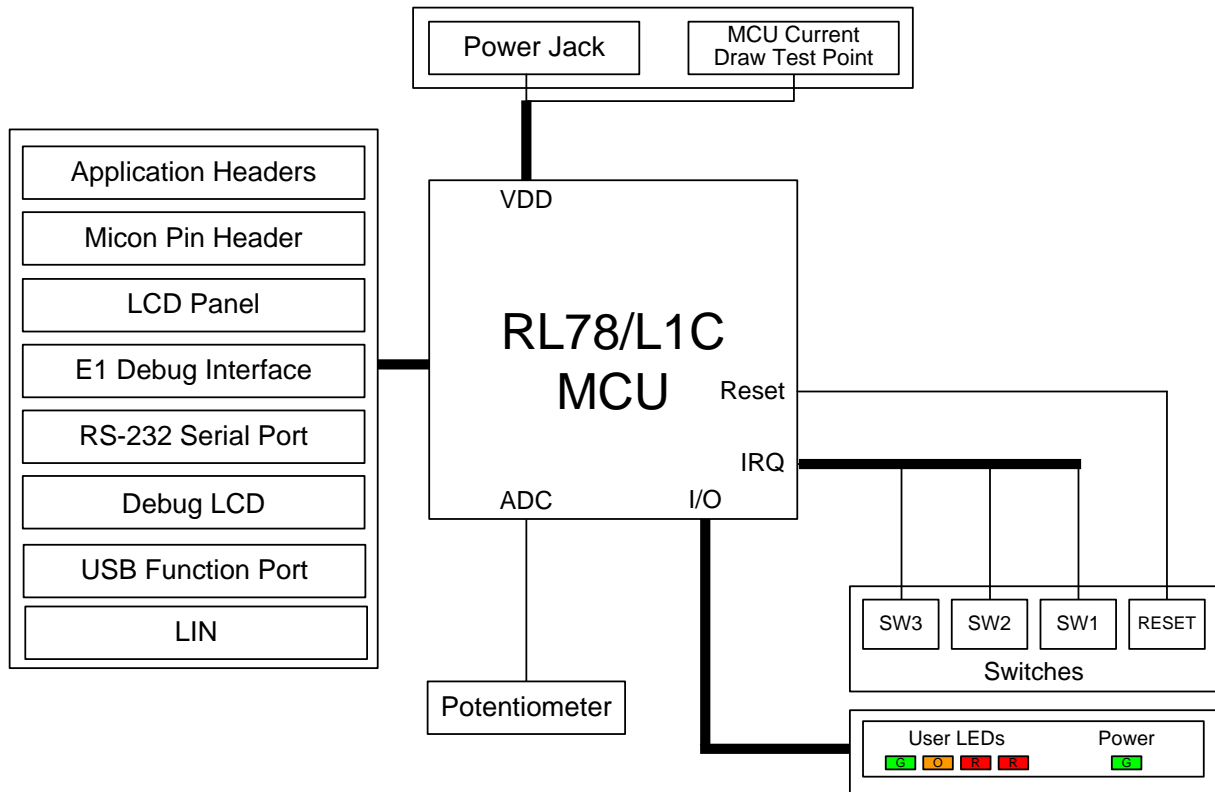
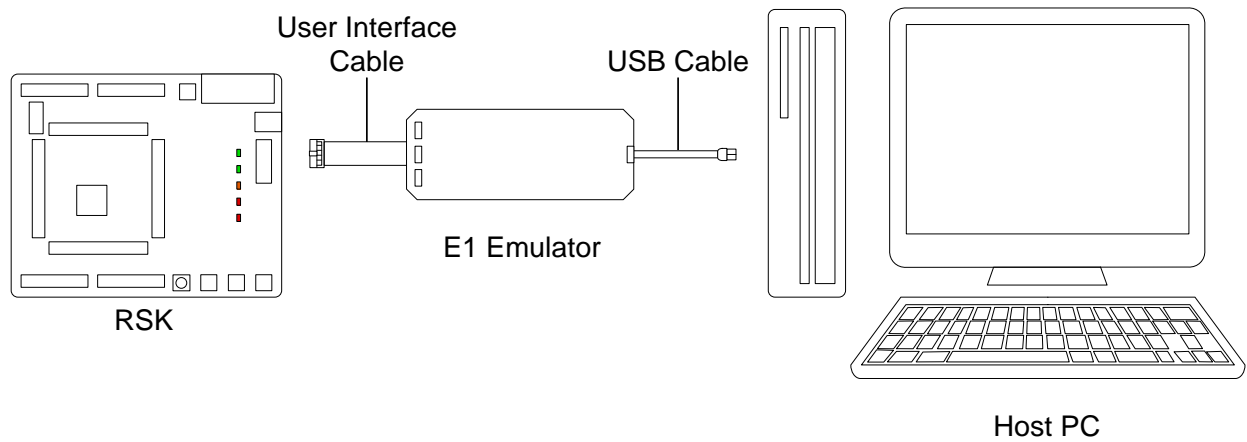


Figure 4-1: Internal RSK Block Diagram

## 4.2 Debugger Connections

The diagram below shows the connections between the RSK, E1 debugger and the host PC.



**Figure 4-2: Debugger Connection Diagram**

## 5. User Circuitry

### 5.1 Reset Circuit

A reset control circuit is not fitted to the RSK, as the MCU is capable of voltage and power-on detection. Resets are handled internally, and the reset switch is connected directly to the RESET pin on the MCU (pin 13).

### 5.2 Clock Circuit

A clock circuit is fitted to the RSK to generate the required clock signal to drive the MCU, and associated peripherals. Refer to the RL78/L1C Group Hardware Manual for details regarding the clock signal requirements, and the RSKRL78L1C board schematics for information regarding the clock circuitry in use on the RSK. Details of the oscillators fitted to the board are listed in **Table 5-1** below.

Crystal	Function	Default Placement	Frequency	Device Package
X1	Main MCU oscillator.	Fitted	12MHz	Encapsulated, SMT
X2	Sub MCU oscillator	Fitted	32.768kHz	Encapsulated, SMT

**Table 5-1: Oscillators**

### 5.3 Switches

There are four switches located on the RSK board. The function of each switch and its connection is shown in **Table 5-2**. For further information regarding switch connectivity, refer to the RSK schematics.

Switch	Function	MCU	
		Port	Pin
RES	When pressed, the microcontroller is reset.	RESETn	13
SW1	Connects to an IRQ input for user controls.	INTP0 (P137)	16
SW2	Connects to an IRQ input for user controls.	INTP1 (P03)	66
SW3	Connects to an IRQ input for user controls.	INTP2 (P04)	65

**Table 5-2: Switch Connections**

## 5.4 LEDs

There are five LEDs on the RSK. The function of each LED, its colour, and its connections are shown in **Table 5-3**.

LED	Colour	Function	MCU	
			Port	Pin
POWER	Green	Indicates the power status	NC	-
LED0	Green	User operated LED.	P05	64
LED1	Orange	User operated LED.	P07	62
LED2	Red	User operated LED.	P41	11
LED3	Red	User operated LED.	P42	10

**Table 5-3: LED Connections**

## 5.5 Potentiometer

A single-turn potentiometer is connected as a potential divider to analog input ANI0, pin 4. The potentiometer can be used to create a voltage between Board\_VDD and ground.

The potentiometer is fitted to offer an easy method of supplying a variable analog input to the microcontroller. It does not necessarily reflect the accuracy of the controller's ADC. Refer to the RL78/L1C Group Hardware Manual for further details.

## 5.6 LCD Panel

A versatile LCD display panel is supplied with the RSK, and should be connected to the JA4 header. The panel is directly driven by circuitry inside the MCU. Connection information for the LCD panel is provided in table **Table 5-4** below.

LCD Panel Header (JA4)					
Pin	Circuit Net Name	MCU Pin	Pin	Circuit Net Name	MCU Pin
1	VL4	VL4, Pin 28	2	VL3	VL3, Pin 29
3	VL2	VL2, Pin 27	4	VL1	VL1, Pin 26
5	Ground	-	6	Ground	-
7	COM0	COM0, Pin 61	8	COM1	COM1, Pin 60
9	COM2	COM2, Pin 59	10	COM3	COM3, Pin 58
11	SEG0	SEG0, Pin 57	12	SEG1	SEG1, Pin 56
13	SEG2	SEG2, Pin 55	14	SEG3	SEG3, Pin 54
15	SEG4	SEG4, Pin 53	16	SEG5	SEG5, Pin 52
17	SEG6	SEG6, Pin 51	18	SEG7	SEG7, Pin 50
19	SEG8	SEG8, Pin 49	20	SEG9	SEG9, Pin 48
21	SEG10	SEG10, Pin 47	22	SEG11	SEG11, Pin 46
23	SEG12	SEG12, Pin 45	24	SEG13	SEG13, Pin 44
25	SEG14	SEG14, Pin 43	26	SEG15	SEG15, Pin 42
27	SEG16	SEG16, Pin 41	28	SEG17	SEG17, Pin 40
29	SEG18	SEG18, Pin 39	30	SEG19	SEG19, Pin 38
31	SEG20	SEG20, Pin 37	32	SEG21	SEG21, Pin 36
33	SEG22	SEG22, Pin 35	34	SEG23	SEG23, Pin 34
35	SEG24	SEG24, Pin 33	36	SEG25	SEG25, Pin 32
37	SEG26	SEG26, Pin 31	38	SEG27	SEG27, Pin 30
39	SEG32	SEG32, Pin 85	40	SEG33	SEG33, Pin 84
41	SEG34	SEG34, Pin 83	42	SEG35	SEG35, Pin 82
43	SEG40	SEG40, Pin 77	44	SEG41	SEG41, Pin 76
45	SEG42	SEG42, Pin 75	46	SEG43	SEG43, Pin 74
47	DLCDD4_SEG44	SEG44, Pin 73	48	DLCDD5_SEG45	SEG45, Pin 72
49	DLCDD6_SEG46	SEG46, Pin 71	50	DLCDD7_SEG47	SEG47, Pin 70

**Table 5-4: LCD Header Connections**

## 5.7 Debug LCD Module

A debug LCD header is fitted to the RSK; however the two-line debug LCD is not supplied with this kit. It is not possible to use the debug LCD and the LCD panel at the same time, and they should not both be fitted to the RSK.

Care should be taken when installing the LCD module to ensure pins are not bent or damaged. The LCD module is vulnerable to electrostatic discharge (ESD); therefore appropriate ESD protection should be used.

The debug LCD module uses a 4-bit interface to reduce pin allocation. Connection information for the debug LCD module is provided in **Table 5-5** below.

Debug LCD Header							
Pin	Circuit Net Name	MCU		Pin	Circuit Net Name	MCU	
		Port	Pin			Port	Pin
1	GROUND	-	-	2	Board_5V	-	-
3	No Connection	-	-	4	DLCDRS	P44	8
5	R/W (pulled to ground)	-	-	6	DLCDE (pulled to ground)	P130	5
7	No Connection	-	-	8	No Connection	-	-
9	No Connection	-	-	10	No Connection	-	-
11	DLCDD4_SEG44	P14	73	12	DLCDD5_SEG45	P15	72
13	DLCDD6_SEG46	P16	71	14	DLCDD7_SEG47	P17	70

**Table 5-5: LCD Header Connections**

## 5.8 RS232 Serial Port

An RS232 serial port is fitted to the RSK and connected via a level shifter to the microcontroller Serial Array Unit (SAU). Connections between the RS232 header and the microcontroller are listed in **Table 5-6** below.

Signal Name	Function	MCU		RS232 Connector Pin
		Signal	Pin	
SO10_TXD1	SAU UART1 Transmit Signal.	TXD1	67	Pin 2
SI10_RXD1	SAU UART1 Receive Signal	RXD1	68	Pin 3
SO00_TXD0	SAU UART0 Transmit Signal.	TXD0	79	Pin 2*
SI00_RXD0	SAU UART0 Receive Signal	RXD0	80	Pin 3*
SO30_TXD3	SAU UART3 Transmit Signal.	TXD3	32	Pin 2*
SI30_RXD3	SAU UART3 Receive Signal.	RXD3	33	Pin 3*
RS232TX	External SCI Transmit Signal.	n/a	-	Pin 2*
RS232RX	External SCI Receive Signal.	n/a	-	Pin 3*

**Table 5-6: Serial Port Connections**

\* This connection is not available in the default RSK configuration - refer to §6.2 for the required modifications.

## 5.9 Local Interconnect Network (LIN)

A LIN transceiver IC is fitted to the RSK, and connected to the LIN MCU peripheral. For further details regarding the LIN protocol and supported modes of operation, please refer to the RL78/L1C hardware manual. Connections between the LIN connector and the microcontroller are listed in **Table 5-7** below.

LIN Signal	Function	MCU	
		Port	Pin
LINTXD	LIN Transmit Signal	P26	79
LINRXD	LIN Receive Signal	P25	80
LINNSLP	LIN Transceiver Device Sleep Control	P24	81

**Table 5-7: LIN Connections**

## 5.10 USB Function

A USB 2.0 function controller is contained within the MCU. Connections between the USB connector and the microcontroller are listed in **Table 5-8** below.

USB Signal	Function	MCU	
		Port	Pin
UVBUS	Cable monitor pin.	UVBUS	93
UDP	Positive differential data signal.	UDP	95
UDM	Negative differential data signal.	UDM	94

**Table 5-8: USB Connections**

## 6. Configuration

### 6.1 Modifying the RSK

This section lists the option links that are used to modify the way RSK operates in order to access different configurations. Configurations are made by modifying link resistors or headers with movable jumpers.

Table 6-1 below shows the RSKRL78L1C default configuration with respect to the peripheral functionality. **Bold, blue text** indicates the default configuration that the RSK is supplied with. It is noted that certain peripheral functions are disabled by default, as shown in Table 6.1 in the column entitled **Secondary Function**. It is possible to activate these disabled peripherals, but at the expense of the default peripheral functions as shown in the Table. Refer to the sections cited in the Table in order to perform any required modifications.

The following sub-sections contain Tables illustrating which link resistors need to added/removed to enable/disable specific functions. A single horizontal line in the Table traces an individual signal path from the MCU on the left of the Table, through any intermediate connections, to any header connections on the right side of the Table. Each line in the Table thereby shows how the MCU signal can be configured for each of its multiplexed functions. Default RSK functional configurations are shown in **bold, blue text**.

A link resistor is a 0Ω surface mount resistor, which is used to short or isolate parts of a circuit. Option links are listed in the following sections, detailing their function when fitted or removed. Refer to the component placement diagram (§3.3) to locate the option links and jumpers.

When removing soldered components, always ensure that the RSK is not exposed to a soldering iron for intervals greater than 5 seconds. This is to avoid damage to nearby components mounted on the board.

When modifying a link resistor, always check the related option links to ensure there is no possible signal contention or short circuits. Because many of the MCU's pins are multiplexed, some of the peripherals must be used exclusively. Refer to the RL78/L1C Group Hardware Manual and RSKRL78L1C schematics for further information.

Primary Function	See §	Secondary Function	See §	Tertiary Function	See §
<b>RS232 with UART1</b>	6.2	RS232 with UART0/3	6.2	E1 Debugger	6.3
<b>LIN</b>	6.2 6.10	Serial comms with SAU00	6.2	N/A	
<b>LCD Panel</b>	6.4	UART3/INTP6/IO	6.4	N/A	
<b>LED1, LED2, LED3</b>	6.5	TAU0	6.5	N/A	
<b>IIC</b>	6.6	N/A		N/A	
<b>On board Crystals</b>	6.8	External clocks supplied	6.8	N/A	

Table 6-1: RSK Default Configuration by Function

## 6.2 RS232 Serial Port Configuration

Table 6-2 below details the function of the option links associated with the serial port configuration.

Signal Name	MCU		Exclusive function				Header connection		
	Port	Pin	Signal	IC Pin	Fit	Remove	Header Pin	Fit	Remove
SHDn	-	-	SHD GND	U4.20	R34	-	-	-	-
			n/c	-	-	R34	-	-	-
SO10_TXD1	P02	67	RS232 out to TXD1	U4.13	R26	R23 R24 R25 R19	JA6.8	Direct	Direct
			SO10_TXD1	-	-	-	-	-	-
SI10_RXD1	P01	68	RS232 in to RXD1	U4.15	R44	R39 R40 R43 R32	JA6.7	Direct	Direct
			SI10_RXD1	-	-	-	-	-	-
LINTXD_SO00_TXD0	P26	79	LINTXD	U7.4	R38	R41	LIN.2	-	-
			SO00_TXD0	-	-	-	JA2.6	R41	R38
			RS232 out to SO00_TXD0	U4.13	R41 R23 R20	R38 R24 R25 R26 R19	-	-	-
LINRXD_SI00_RXD0	P25	80	LINRXD	U7.1	R53	R50	LIN.2	-	-
			SI00_RXD0	-	-	-	JA2.8	R50	R53
			RS232 in to SI00_RXD0	U4.15	R50 R40 R33	R53 R39 R43 R44 R32	-	-	-
LINNSLP_SCK00	P24	81	LINNSLP	U7.2	R42	R49	-	-	-
			SCK00	-	-	-	JA2.10	R49	R42
SEG25_SO30_TXD3	P35	32	SEG25	-	-	-	JA4.36	R118	R121
			SO30_TXD3	-	-	-	JA6.9	R121	R118
			RS232 out to SO30_TXD3	U4.13	R121 R25 R20	R118 R23 R24 R26 R19	-	-	-
SEG24_SI30_RXD3	P34	33	SEG24	-	-	-	JA4.35	R115	R117
			SI30_RXD3	-	-	-	JA6.12	R117	R115
			RS232 in to SI30_RXD3	U4.15	R39 R117 R33	R115 R40 R43 R44 R32	-	-	-
SEG23_SCK30	P33	34	SEG23	-	-	-	JA4.34	R111	R114
			SCK30	-	-	-	JA6.11	R114	R111

Table 6-2: RS232 Serial Port Option Links

Signal Name	MCU		Exclusive function				Header connection		
	Port	Pin	Signal	IC Pin	Fit	Remove	Header Pin	Fit	Remove
RS232TX	-	-	RS232 out to RS232TXD	U4.13	R24	R23 R25 R26	JA6.5	-	-
RS232RX	-	-	RS232 in to RS232RX	U4.15	R43	R39 R40 R44	JA6.6	-	-
					R33	R19 R32			

Table 6-2: RS232 Serial Port Option Links (continuation)

### 6.3 E1 Debugger Interface

Table 6-3 below details the function of the option links associated with E1 Debugger configuration. The default configuration is for E1 debug/programming, but it is possible to enable Flash programming via the COM port.

Signal Name	MCU		Exclusive function				Header connection		
	Port	MCU Pin	Signal	IC Pin	Fit	Remove	Header Pin	Fit	Remove
RESETn	-	13	T_RESETn to RESETn	-	-	-	E1.6	R14	-
			n/c	-	-	-	-	-	R14
RESETn	-	13	R2IN to RESETn	U5.4	R36	-	-	-	-
			n/c	-	-	R36	-	-	-
TOOL0	P40	12	T1OUT to TOOL0	U4.13	R19	R20	-	-	-
			RS232 as UART (§6.2)	-	R20	R19	-	-	-
TOOL0	P40	12	R1IN to TOOL0	U4.15	R32	R33	-	-	-
			RS232 as UART (§6.2)	-	R33	R32	-	-	-

Table 6-3: E1 Debugger Interface Option Links

## 6.4 LCD Panel Configuration

Table 6-4 below details the function of the option links associated with the LCD Panel header.

Signal Name	MCU		Header connection			
	Port	Pin	Signal	Header Pin	Fit	Remove
SEG20_REMOOUT	P30	37	SEG20	JA4.31	R104	R110
			REMOOUT	JA2.19	R110	R104
SEG23_SCK30	P33	34	SEG23	JA4.34	R111	R114
			SCK30	JA6.11	R114	R111
SEG24_SI30_RXD3	P34	33	SEG24	JA4.35	R115	R117
			SI30_RXD3	JA6.12	R117	R115
SEG25_SO30_TXD3	P35	32	SEG25	JA4.36	R118	R121
			SO30_TXD3	JA6.9	R121	R118
SEG4_INTP6	P50	53	SEG4	JA4.15	R30	R31
			INTP6	JA5.9	R31	R30
IO0_SEG12	P70	45	IO0	JA1.15	R57	R62
			SEG12	JA4.23	R62	R57
IO1_SEG13	P71	44	IO1	JA1.16	R63	R66
			SEG13	JA4.24	R66	R63
IO2_SEG14	P72	43	IO2	JA1.17	R67	R71
			SEG14	JA4.25	R71	R67
IO3_SEG15	P73	42	IO3	JA1.18	R72	R79
			SEG15	JA4.26	R79	R72
IO4_SEG16	P74	41	IO4	JA1.19	R80	R83
			SEG16	JA4.27	R83	R80
IO5_SEG17	P75	40	IO5	JA1.20	R84	R94
			SEG17	JA4.28	R94	R84
IO6_SEG18	P76	39	IO6	JA1.21	R98	R103
			SEG18	JA4.29	R103	R98
IO7_SEG19	P77	38	IO7	JA1.22	R95	R97
			SEG19	JA4.30	R97	R95

Table 6-4: LCD Panel Option Links

## 6.5 LED/Timer Pin Configuration

Table 6-5 below details the function of the option links associated with LED pin configuration.

Signal Name	MCU		Header connection			
	Port	Pin	Signal	Header Pin	Fit	Remove
LED1_TO06	P07	62	LED1	-	R29	R28
			TO06	JA2.20	R28	R29
LED2_TI07	P41	11	LED2	-	R129	R128
			TI07	JA2.22	R128	R129
LED3_TI05	P42	10	LED3	-	R127	R126
			TI05	JA2.21	R126	R127

Table 6-5: LED/Timer Pin Option Links

## 6.6 IIC Pin Configuration

Table 6-6 below details the function of the option links associated with IIC pin configuration.

Signal Name	MCU		Header connection			
	Port	Pin	Signal	Header Pin	Fit	Remove
IIC Pull up	-	-	Board_VDD	-	R5	R6
			Board_5V	-	R6	R5

Table 6-6: IIC Option Links

## 6.7 Power Supply Configuration

Table 6-7 below details the function of the option links associated with power supply configuration.

Signal Name	Exclusive function		Header connection		
	Function	IC Pin	Header Pin	Fit	Remove
Board_5V	Supply power through PWR connector	U2.IN	-	R48	-
	Do not supply power through PWR connector		-	-	R48
Board_5V	Supply power through VBUS connection	U2.IN	-	R51 R107	-
	Do not supply power through VBUS connection		-	-	R51 R107
Board_5V	Connected to CON_5V	U2.IN	JA1.1	R47	-
	Not connected to CON_5V		-	-	R47
Board_5V	Connected to Unregulated_VDD	U2.IN	JA6.23	R46	-
	Not connected to Unregulated_VDD		-	-	R46
Board_5V	Board_5V hardwired to U3 regulator output <sup>1</sup>	U3.1	-	R122	-
	Board_5V not hardwired to U3 regulator output <sup>1</sup>		-	-	R122
Board_VDD	Supply power through CON_3V3	-	JA1.3	R12	-
	Do not supply power through CON_3V3	-	-	-	R12
Board_VDD	Board_VDD hardwired to U3 regulator input <sup>1</sup>	U3.VIN	-	R112	-
	Board_VDD not hardwired to U3 regulator input <sup>1</sup>	-	-	-	R112
Board_VDD	Bypass current probe (J5) for MCU	U1.21 U1.90	J1.21 J4.15	R125	-
	Enable current probe(J5) for MCU	-	-	-	R125

Note:

1. Alternatively, use J6 and J7 as detailed in Table 2-1 in §2.1.

Table 6-7: Power Supply Option Links

## 6.8 Clock Circuit Configuration

Table 6-8 below details the function of the option links associated with clock circuit.

Signal Name	MCU		Header connection			
	Port	Pin	Connection	Header Pin	Fit	Remove
P121/X1	P121	18	On board X1.2	-	R102	R108
			External CON_X1	J1.18	R108	R102
P122/X2	P122	17	On board X1.1	-	R113	R109
			External CON_X2	J1.17, JA2.2	R109	R113
P123/XT1	P123	15	On board X2.4	-	R92	R93
			External CON_XT1	J1.15	R93	R92
P124/XT2	P124	14	On board X2.1	-	R91	R90
			External CON_XT2	J1.14	R90	R91

Table 6-8: Clock Circuit Option Links

## 6.9 ADC Configuration

Table 6-9 below details the function of the option links associated with the ADC circuit.

Signal Name	MCU		Header connection			
	Port	Pin	Signal	Header Pin	Fit	Remove
AVDD	-	98	UC_VDD	-	R75	R74
			CON_AVDD	JA1.5	R74	R75
AVSS	-	99	GROUND	-	R76	R77
			CON_AVSS	JA1.6	R77	R76
ADPOT_AVREFP	P150	4	ADPOT	-	R101	R100
			AVPREF	JA1.7	R100	R101
ADPOT	-	-	RV1 Supply Board_VDD	-	R134	R133
			RV1 Supply CON_AVDD	JA1.5	R133	R134
AVREFM	P151	3	JA1.6 connected to CON_AVSS	JA1.6	R11	R10
			JA1.6 connected to AVREFM	JA1.6	R10	R11

Table 6-9: ADC Option Links

## 6.10 LIN Configuration

Table 6-10 below details the function of the option links associated with the LIN Transceiver.

Signal Name	Exclusive function		Header connection		
	Function	IC Pin	Header Pin	Fit	Remove
LIN	LIN line pulled up for master operation <sup>1</sup>	U7.6	LIN.2	R58	-
	LIN line pulled down for slave operation <sup>1</sup>			R73	R58 R73

Note:

1. Remove one of these links before connecting 2 RSKs together.

Table 6-10: LIN Option Links`

## 7. Headers

### 7.1 Application Headers

This RSK is fitted with application headers, which can be used to connect compatible Renesas application devices or as easy access to MCU pins.

Note that JA4 has been omitted from this list as it is the LCD panel connector, and connections are described in §5.6

**Table 7-1** below lists the connections of the application header, JA1.

Application Header JA1					
Pin	Header Name	MCU Pin	Pin	Header Name	MCU Pin
	Circuit Net Name			Circuit Net Name	
1	5V	-	2	0V	-
	CON_5V			GROUND	
3	3V3	-	4	0V	-
	CON_3V3			GROUND	
5	AVDD	98*	6	AVSS	99*
	CON_AVDD			JA1_PIN6	
7	AVREF	4*	8	ADTRG	NC
	AVREFP			NC	
9	ADC0	2	10	ADC1	1
	ANI2			ANI3	
11	ADC2	100	12	ADC3	97
	ANI4			ANI5	
13	DAC0	7	14	DAC1	6
	ANO0			ANO1	
15	IO_0	45*	16	IO_1	44*
	IO0			IO1	
17	IO_2	43*	18	IO_3	42*
	IO2			IO3	
19	IO4	41*	20	IO_5	40*
	IO_4			IO5	
21	IO6	39*	22	IO_7	38*
	IO_6			IO7	
23	IRQ3/IRQAEC/M2_HSIN0	63/NC/NC	24	IIC_EX	NC
	INTP5			NC	
25	IIC_SDA	23	26	IIC_SCL	22
	JA1_SDA0			JA1_SCL0	

**Table 7-1: Application Header JA1 Connections**

\* Note: Not a default connection to an MCU pin– requires modification of zero ohm links – refer to schematic.

**Table 7-2** below lists the connections of the application header, JA2.

Application Header JA2					
Pin	Header Name	MCU Pin	Pin	Header Name	MCU Pin
	Circuit Net Name			Circuit Net Name	
1	RESET	13	2	EXTAL	17*
	RESETn			CON_X2	
3	NMI	NC	4	Vss1	-
	NC			GROUND	
5	WDT_OVF	NC	6	SCIaTX	79*
	NC			SO00_TXD0	
7	IRQ0/WKUP/M1_H SIN0	16/NC/NC	8	SCIaRX	80*
	INTP0			SI00_RXD0	
9	IRQ1/M1_H SIN1	66/NC	10	SCIaCK	81*
	INTP1			SCK00	
11	M1_UD	NC	12	CTSRTS	NC
	NC			NC	
13	M1_UP	NC	14	M1_UN	NC
	NC			NC	
15	M1_VP	NC	16	M1_VN	NC
	NC			NC	
17	M1_WP	NC	18	M1_WN	NC
	NC			NC	
19	TimerOut	37*	20	TimerOut	62*
	REMOOUT			NC	
21	TimerIn	10*	22	TimerIn	11*
	TI05			NC	
23	IRQ2/M1_EncZ/M1_H SIN2	65/NC/NC	24	M1_POE	NC
	INTP2			NC	
25	M1_TRCCLK	NC	26	M1_TRDCLK	NC
	NC			NC	

**Table 7-2: Application Header JA2 Connections**

\* Note: Not a default connection to an MCU pin– requires modification of zero ohm links – refer to schematic.

Table 7-3 below lists the connections of the application header, JA5.

Application Header JA5					
Pin	Header Name	MCU Pin	Pin	Header Name	MCU Pin
	Circuit Net Name			Circuit Net Name	
1	ADC4	89	2	ADC5	88
	ANI16			ANI17	
3	ADC6	87	4	ADC7	86
	ANI18			ANI19	
5	CAN1TX	NC	6	CAN1RX	NC
	NC			NC	
7	CAN2TX	NC	8	CAN2RX	NC
	NC			NC	
9	IRQ4/M2_EncZ/M2_HSN1	53*/NC/NC	10	IRQ5/M2_HSN2	9/NC
	INTP6			INTP7	
11	M2_UD	NC	12	M2_Uin	NC
	NC			NC	
13	M2_Vin	NC	14	M2_Win	NC
	NC			NC	
15	M2_UD	NC	16	M2_POE	NC
	NC			NC	
17	M2_TRCCLK	NC	18	M2_TRDCLK	NC
	NC			NC	
19	M2_UP	NC	20	M2_UN	NC
	NC			NC	
21	M2_VP	NC	22	M2_VN	NC
	NC			NC	
23	M2_WP	NC	24	M2_WIN	NC
	NC			NC	

**Table 7-3: Application Header JA5 Connections**

\* Note: Not a default connection to an MCU pin– requires modification of zero ohm links – refer to schematic.

Table 7-4 below lists the connections of the application header, JA6.

Application Header JA6					
Pin	Header Name	MCU Pin	Pin	Header Name	MCU Pin
	Circuit Net Name			Circuit Net Name	
1	DREQ	NC	2	DACK	NC
	NC			NC	
3	TEND	NC	4	STBYn	NC
	NC			NC	
5	RS232TX	NC	6	RS232RX	NC
	RS232TX			RS232RX	
7	SCIbRX	68	8	SCIbTX	67
	SI10_RXD1			SO10_TXD1	
9	SClckTX	32*	10	SClck	69
	SO30_TXD3			SCK10	
11	SClck	34*	12	SClckRX	33*
	SCK30			SI30_RXD3	
13	M1_Toggle	NC	14	M1_Uin	NC
	NC			NC	
15	M1_Vin	NC	16	M1_Win	NC
	NC			NC	
17	EXT_USB_VBUS	NC	18	Reserved	NC
	NC			NC	
19	EXT_USB_BATT	NC	20	Reserved	NC
	NC			NC	
21	EXT_USB_CHG	NC	22	Reserved	NC
	NC			NC	
23	Unregulated_VDD	-	24	Vss	-
	Unregulated_VDD			GROUND	

**Table 7-4: Application Header JA6 Connections**

\* Note: Not a default connection to an MCU pin– requires modification of zero ohm links – refer to schematic.

## 7.2 Microcontroller Pin Headers

This RSK is fitted with MCU pin headers, which are used to access all the MCU's pins.

**Table 7-5** below lists the connections of the microcontroller pin header, J1.

Microcontroller Pin Header J1					
Pin	Circuit Net Name	MCU Pin	Pin	Circuit Net Name	MCU Pin
1	ANI3	1	2	ANI2	2
3	AVREFM	3	4	ADPOT_AVREFP	4
5	DLCDE	5	6	ANO1	6
7	ANO0	7	8	DLCDRS	8
9	INTP7	9	10	LED3_TIO5	10
11	LED2_TIO7	11	12	TOOL0	12
13	RESETn	13	14	CON_XT2	14*
15	CON_XT1	15*	16	INTP0	16
17	CON_X2	17*	18	CON_X1	18*
19	NC	-	20	GROUND	-
21	UC_VDD	21, 90	22	SCLA0	22
23	SDAA0	23	24	CAPH	24
25	CAPL	25	26	NC	-
27	NC	-	28	NC	-
29	NC	-	30	NC	-
31	NC	-	32	NC	-
33	NC	-	34	NC	-
35	NC	-	36	NC	-

**Table 7-5: Microcontroller Pin Header, J1**

\* Note: Not a default connection to an MCU pin– requires modification of zero ohm links – refer to schematic.

**Table 7-6** below lists the connections of the microcontroller pin header, J2.

Microcontroller Pin Header J2					
Pin	Circuit Net Name	MCU Pin	Pin	Circuit Net Name	MCU Pin
1	VL1	26	2	VL2	27
3	VL4	28	4	VL3	29
5	SEG27	30	6	SEG26	31
7	SEG25_SO30_TXD3	32	8	SEG24_SI30_RXD3	33
9	SEG23_SCK30	34	10	SEG22	35
11	SEG21	36	12	SEG20_REMOOUT	37
13	IO7_SEG19	38	14	IO6_SEG18	39
15	IO5_SEG17	40	16	IO4_SEG16	41
17	IO3_SEG15	42	18	IO2_SEG14	43
19	IO1_SEG13	44	20	IO0_SEG12	45
21	SEG11	46	22	SEG10	47
23	SEG9	48	24	SEG8	49
25	SEG7	50	26	NC	-
27	NC	-	28	NC	-
29	NC	-	30	NC	-
31	NC	-	32	NC	-
33	NC	-	34	NC	-
35	NC	-	36	NC	-

**Table 7-6: Microcontroller Pin Header, J2**

**Table 7-7** below lists the connections of the microcontroller pin header, J3.

Microcontroller Pin Header J3					
Pin	Circuit Net Name	MCU Pin	Pin	Circuit Net Name	MCU Pin
1	SEG6	51	2	SEG5	52
3	SEG4_INTP6	53	4	SEG3	54
5	SEG2	55	6	SEG1	56
7	SEG0	57	8	COM3	58
9	COM2	59	10	COM1	60
11	COM0	61	12	LED1_TO06	62
13	INTP5	63	14	LED0	64
15	INTP2	65	16	INTP1	66
17	SO10_TXD1	67	18	SI10_RXD1	68
19	SCK10	69	20	DLCDD7_SEG47	70
21	DLCDD6_SEG46	71	22	DLCDD5_SEG45	72
23	DLCDD4_SEG44	73	24	SEG43	74
25	SEG42	75	26	NC	-
27	NC	-	28	NC	-
29	NC	-	30	NC	-
31	NC	-	32	NC	-
33	NC	-	34	NC	-
35	NC	-	36	NC	-

**Table 7-7: Microcontroller Pin Header, J3**

**Table 7-8** below lists the connections of the microcontroller pin header, J4.

Microcontroller Pin Header J4					
Pin	Circuit Net Name	MCU Pin	Pin	Circuit Net Name	MCU Pin
1	SEG41	76	2	SEG40	77
3	P27	78	4	LINTXD_SO00_TXD0	79
5	LINRXD_SI00_RXD0	80	6	LINNSLP_SCK00	81
7	SEG35	82	8	SEG34	83
9	SEG33	84	10	SEG32	85
11	ANI19	86	12	ANI18	87
13	ANI17	88	14	ANI16	89
15	UC_VDD	21, 90	16	GROUND	-
17	NC	-	18	UVBUS	93
19	NC	-	20	NC	-
21	P156	96	22	ANI5	97
23	CON_AVDD	98*	24	CON_AVSS	99*
25	ANI4	100	26	NC	-
27	NC	-	28	NC	-
29	NC	-	30	NC	-
31	NC	-	32	NC	-
33	NC	-	34	NC	-
35	NC	-	36	NC	-

**Table 7-8: Microcontroller Pin Header, J4**

\* Note: Not a default connection to an MCU pin– requires modification of zero ohm links – refer to schematic.

## 8. Code Development

### 8.1 Overview

For all code debugging using Renesas software tools, the RSK board must be connected to a PC via an E1/E20 debugger. An E1 debugger is supplied with this RSK product.

For further information regarding the debugging capabilities of the E1/E20 debuggers, refer to E1/E20 Emulator Additional Document for User's Manual (R20UT1994EJ).

### 8.2 Compiler Restrictions

The compiler supplied with this RSK will build a maximum of 64k code and data. To use the compiler with programs greater than this size you need to purchase a compiler license from your Renesas supplier.

### 8.3 Mode Support

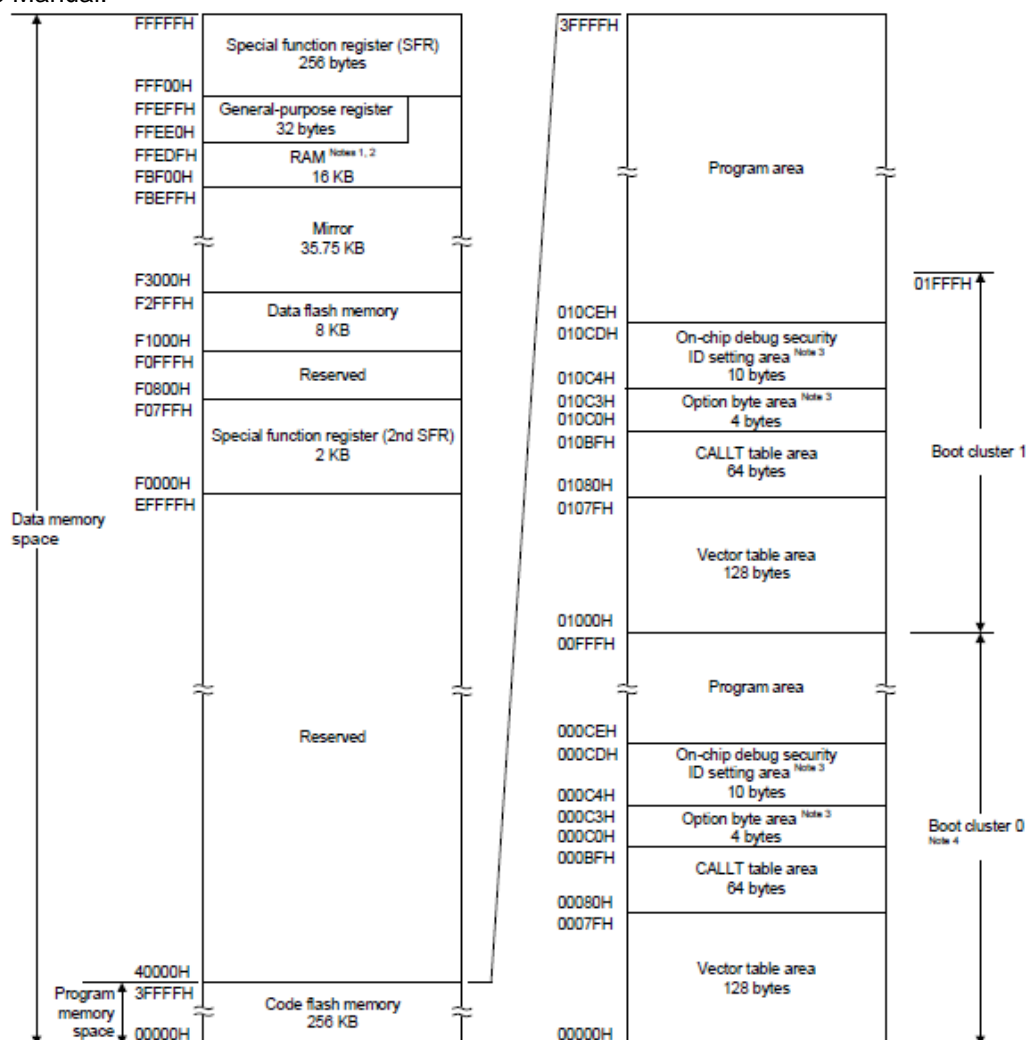
The RL78/L1C microcontroller only supports single-chip operating mode.

### 8.4 Debugging Support

The E1 emulator (as supplied with this RSK) supports hardware break points, software break points and basic trace functionality. For further details, refer to the E1/E20 Emulator User's Manual (R20UT0398EJ).

### 8.5 Address Space

**Figure 8-1** below details the address space of the MCU. This diagram is taken from the Hardware Manual Rev.1.00. The MCU fitted to the RSK has 256KB of ROM. For further details, refer to the RL78/L1C Group Hardware Manual.



- Note 1.** Do not allocate RAM addresses which are used as a stack area, a data buffer, a branch destination of vector interrupt processing, and a DTC transfer destination/transfer source to the area FFE20H to FFEDFH when performing self-programming and rewriting the data flash memory. Since the area FBF00H to FC309H is used for each library, this area cannot be used.
  - Note 2.** Instructions can be executed from the RAM area excluding the general-purpose register area.
  - Note 3.** When boot swap is not used: Set the option bytes to 000C0H to 000C3H, and the on-chip debug security IDs to 000C4H to 000CDH.  
When boot swap is used: Set the option bytes to 000C0H to 000C3H and 010C0H to 010C3H, and the on-chip debug security IDs to 000C4H to 000CDH and 010C4H to 010CDH.
  - Note 4.** Writing boot cluster 0 can be prohibited depending on the setting of security (see 30.7 Security Settings).
- Caution 1.** While RAM parity error resets are enabled (RPERDIS = 0), be sure to initialize RAM areas where data access is to proceed and the RAM area + 10 bytes when instructions are fetched from RAM areas, respectively. Reset signal generation sets RAM parity error resets to enabled (RPERDIS = 0). For details, see 27.3.3 RAM parity error detection function.
  - Caution 2.** The internal RAM area in the following products cannot be used as the stack memory when using the on-chip debugging trace function.  
R5F110xJ, R5F111xJ (x = M, P): FC300H to FC6FFH

**Figure 8-1: MCU Address Space Diagram**

## 9. Additional Information

### Technical Support

For details on how to use CubeSuite+, refer to the manual available on the DVD or from the web site.

For information about the RL78/L1C series microcontrollers refer to the RL78/L1C Group Hardware Manual.

For information about the RL78 assembly language, refer to the RL78 Series Software Manual.

### Technical Contact Details

***Please refer to the contact details listed in section 9 of the “Quick Start Guide”***

General information on Renesas Microcontrollers can be found on the Renesas website at:

<http://www.renesas.com/>

### Trademarks

All brand or product names used in this manual are trademarks or registered trademarks of their respective companies or organisations.

### Copyright

This document may be, wholly or partially, subject to change without notice. All rights reserved. Duplication of this document, either in whole or part is prohibited without the written permission of Renesas Electronics Europe Limited.

© 2014 Renesas Electronics Europe Limited. All rights reserved.

© 2014 Renesas Electronics Corporation. All rights reserved.

© 2014 Renesas Solutions Corp. All rights reserved.

<b>REVISION HISTORY</b>	<b>RSK RL78L1C User's Manual</b>
-------------------------	----------------------------------

Rev.	Date	Description	
		Page	Summary
1.00	Jan 16, 2014	—	First Edition issued
1.01	Mar 19, 2014	—	[2. List of Abbreviations and Acronyms] was updated.
		15, 17	Table format of Table 5-3, 5-5, 5-6 were updated.
		16	Header pin information of Table 5-4 was fixed. (Header Pin.38: SEG25 to SEG27)
		20	Exclusive function of Table 6-2 was fixed. (R25: standard font to bold font, R26: bold font to standard font)
		23	Table 6-7 was fixed. (VBUS connection information was fixed) (Unregulated_VCC was renamed) (Notice was added to U3 regulator input) (U1.90 was added to U1.21)
		25 to 28	Table format of Table 7-1 to 7-4 were updated. (Both Header Name and Circuit Net Name are indicated)
		29	Table 7-5 was fixed. (ADPOT_AVPREF was renamed) (Header Pin.20: 20 to -) (Header Pin.21: 90 was added)
		30	All Circuit Net Name information of Table 7-8 was fixed.
		32	Figure 8-1 was updated.
1.02	Apr 04, 2014	17	Table 5-6 was fixed. (SO03_TXD3 to SO30_TXD3) (SI03_RXD3 to SI30_RXD3)
		21	Table 6-3 was fixed. (Option Links were corrected for TOOL0 of last line)
		23	Table 6-7 was fixed. (IC Pin and Header Pin were corrected for Board_VDD related to U3 regulator input)

---

Renesas Starter Kit Manual: User's Manual

Publication Date: Rev. 1.02 Apr 04, 2014

Published by: Renesas Electronics Corporation

---

**SALES OFFICES****Renesas Electronics Corporation**<http://www.renesas.com>Refer to "<http://www.renesas.com/>" for the latest and detailed information.**Renesas Electronics America Inc.**2801 Scott Boulevard Santa Clara, CA 95050-2549, U.S.A.  
Tel: +1-408-588-6000, Fax: +1-408-588-6130**Renesas Electronics Canada Limited**1101 Nicholson Road, Newmarket, Ontario L3Y 9C3, Canada  
Tel: +1-905-898-5441, Fax: +1-905-898-3220**Renesas Electronics Europe Limited**Dukes Meadow, Millboard Road, Bourne End, Buckinghamshire, SL8 5FH, U.K  
Tel: +44-1628-585-100, Fax: +44-1628-585-900**Renesas Electronics Europe GmbH**Arcadiastrasse 10, 40472 Düsseldorf, Germany  
Tel: +49-211-6503-0, Fax: +49-211-6503-1327**Renesas Electronics (China) Co., Ltd.**Room 1709, Quantum Plaza, No.27 ZhiChunLu Haidian District, Beijing 100191, P.R.China  
Tel: +86-10-8235-1155, Fax: +86-10-8235-7679**Renesas Electronics (Shanghai) Co., Ltd.**Unit 301, Tower A, Central Towers, 555 Langao Road, Putuo District, Shanghai, P. R. China 200333  
Tel: +86-21-2226-0888, Fax: +86-21-2226-0999**Renesas Electronics Hong Kong Limited**Unit 1601-1613, 16/F., Tower 2, Grand Century Place, 193 Prince Edward Road West, Mongkok, Kowloon, Hong Kong  
Tel: +852-2265-6688, Fax: +852 2886-9022/9044**Renesas Electronics Taiwan Co., Ltd.**13F, No. 363, Fu Shing North Road, Taipei 10543, Taiwan  
Tel: +886-2-8175-9600, Fax: +886 2-8175-9670**Renesas Electronics Singapore Pte. Ltd.**80 Bendemeer Road, Unit #06-02 Hyflux Innovation Centre, Singapore 339949  
Tel: +65-6213-0200, Fax: +65-6213-0300**Renesas Electronics Malaysia Sdn.Bhd.**Unit 906, Block B, Menara Amcorp, Amcorp Trade Centre, No. 18, Jln Persiaran Barat, 46050 Petaling Jaya, Selangor Darul Ehsan, Malaysia  
Tel: +60-3-7955-9390, Fax: +60-3-7955-9510**Renesas Electronics Korea Co., Ltd.**12F., 234 Teheran-ro, Gangnam-Ku, Seoul, 135-920, Korea  
Tel: +82-2-558-3737, Fax: +82-2-558-5141

# RL78/L1C Group