

REVISIONS				
P	LTN	DESCRIPTION	DATE	OWN APVD
A		INITIAL RELEASE	21MAY20	Y.Y I.Y
B		REVISION (ECR-20-008843)	27OCT20	Z.C I.Y
B1		REVISION (ECR-21-005772)	31MAR21	Z.C I.Y
B2		REVISION (ECR-21-107908)	20JUL2021	Z.C I.Y

P/N	REFERENCE VIEW OF CODINGS, 3POS 2:1
2371035-1	
2371035-2	
2371035-3	
2371035-4	CONTACT TE FOR FURTHER INFO.
2371035-5	
2371035-6	

P/N	REFERENCE VIEW OF CODINGS, 2POS 2:1
1-2371035-1	
1-2371035-2	
1-2371035-3	
1-2371035-4	CONTACT TE FOR FURTHER INFO.
1-2371035-5	
1-2371035-6	

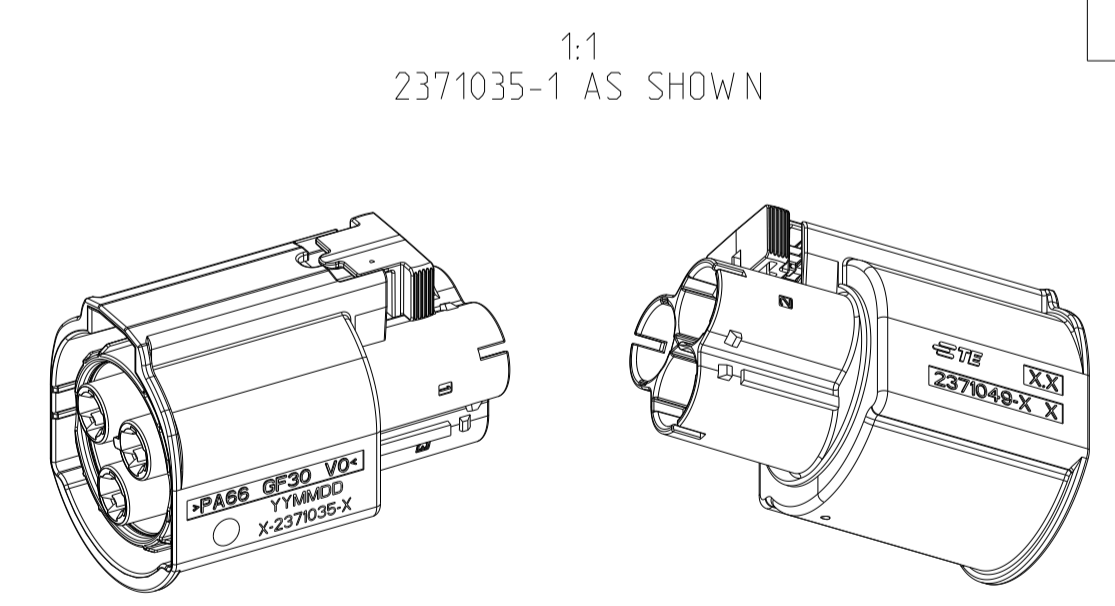
NOTE:  
 1. PRODUCTION DATE (YYMMDD)  
 2. ASSEMBLY P/N MARKING  
 3. TPA AND CPA ARE AT PRE-LOCK POSITION  
 4. COUNTERPART INFO:  
 1). HEADER X-2371113-X  
 2). OTHER SEE TABLE:

USED CABLE	2.5mm <sup>2</sup>	4.0mm <sup>2</sup>	6mm <sup>2</sup>
QUALIFIED CABLE BRAND	KBE (SINGLE CORE, SCREENED, COPPER). OTHER WIRE SHALL CONTACT TE FOR FURTHER INFO		
SOCKET CONTACT	2349177-1 (Ag)	1-2349177-1 (Ag+AgSn)	2349177-2 (Ag)
INNER FERRULE	2371242-1	2371242-2	2371242-3
OUTER FERRULE	2371243-1		
SINGLE WIRE SEAL	2371244-1	2371244-2	2371244-3
WIRE CLIP	2371245-1	2371245-2	2371245-3

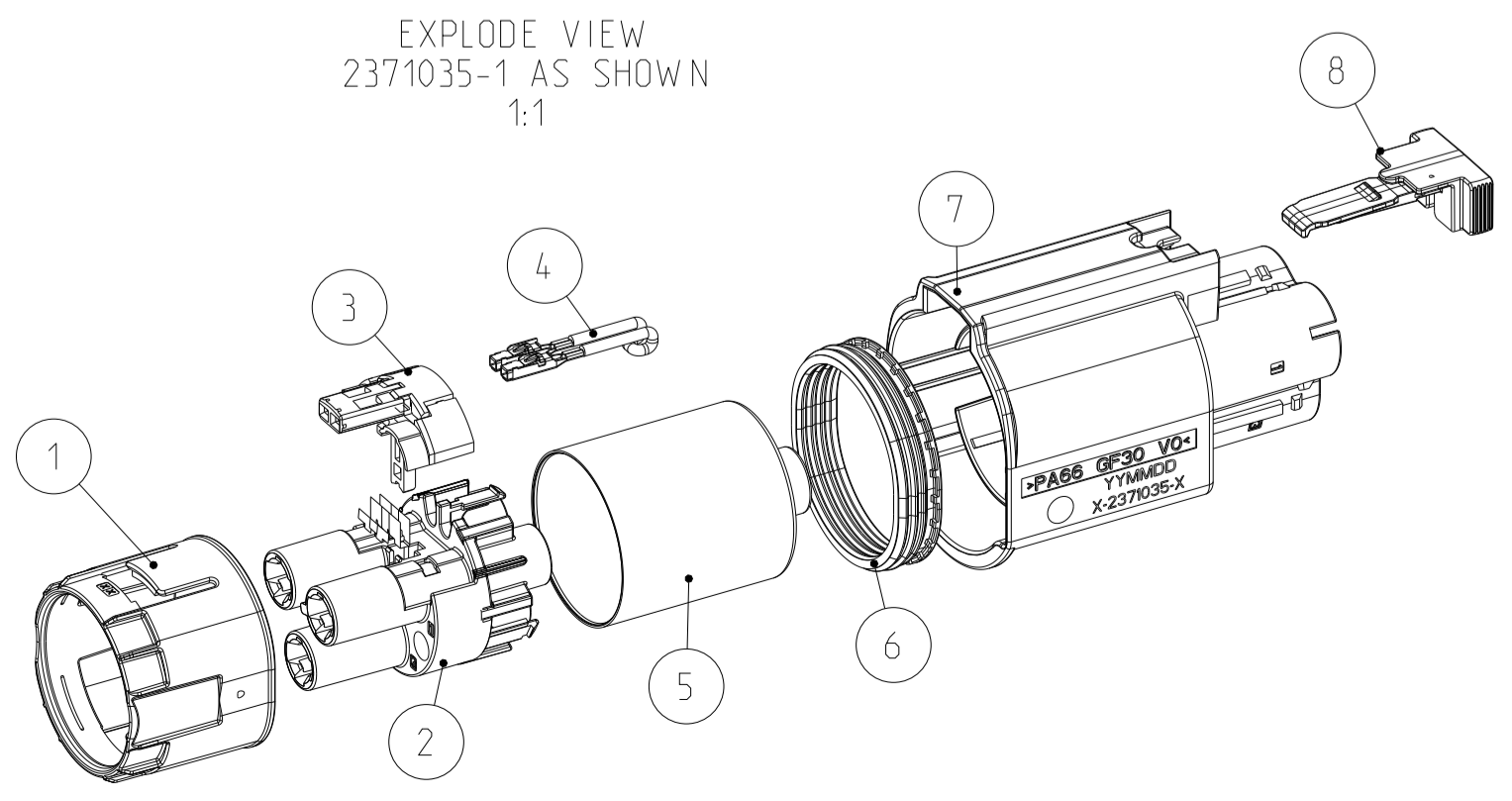
5. GENERAL SPEC:  
 1). WORKING TEMP: -40~140°C  
 2). WORKING VOLTAGE: 1000VDC  
 3). DEGREE OF PROTECTION: IPXXB, IP6K9K, IP67  
 4). INFLAMMABILITY: V0

1	CPA	PA66-GF30 V0	RED	8	BOM OF BLIND PLUG
1	OUTER HOUSING - BLIND	PA66-GF30 V0	ORANGE	7	
1	PERIPHERAL SEAL	VMQ	GREEN	6	
1	SHIELDING - BLIND	CuSn4 080	-	2	
1	RETAINER	PA66-GF30 V0	NATRAL	1	
-	DESCRIPTION	MATERIAL	COLOR	ITEM	
2-2371035-1	← ASSEMBLY P/N				
B	← REVISION OF ASSEMBLY				
Q'TY	← PART LIST				

1	1	1	1	1	1	CPA	PA66-GF30 V0	RED	8	BOM OF 3 POSITION
1	1	1	1	1	1	OUTER HOUSING - 3 POS	PA66-GF30 V0	ORANGE	7	
1	1	1	1	1	1	PERIPHERAL SEAL	VMQ	GREEN	6	
1	1	1	1	1	1	SHIELDING - 3 POS	COPPER ALLOY	-	5	
1	1	1	1	1	1	MCON 1.2 CABLE ASSY	-	-	4	
1	1	1	1	1	1	TPA	PA66-GF30 V0	RED	3	
1	-	-	-	-	-	INNER HOUSING - 3 POS	PA66-GF30 V0	BROWN	2	
-	1	-	-	-	-		PA66-GF30 V0	GREEN		
-	-	1	-	-	-		PA66-GF30 V0	PURPLE		
-	-	-	1	-	-		PA66-GF30 V0	BLUE		
-	-	-	-	1	-		PA66-GF30 V0	WHITE		
-	-	-	-	-	1		PA66-GF30 V0	BLACK		
1	1	1	1	1	1	RETAINER	PA66-GF30 V0	NATRAL	1	
-	-	-	-	-	-	DESCRIPTION	MATERIAL	COLOR	ITEM	
F	E	D	C	B	A	← CODING				
2371035-6	2371035-5	2371035-4	2371035-3	2371035-2	2371035-1	← ASSEMBLY P/N				
A	A	A	B	B	B	← REVISION OF ASSMBLY				
Q'TY						← PART LIST				



1	1	1	1	1	1	CPA	PA66-GF30 V0	RED	8	BOM OF 2 POSITION
1	1	1	1	1	1	OUTER HOUSING - 2 POS	PA66-GF30 V0	ORANGE	7	
1	1	1	1	1	1	PERIPHERAL SEAL	VMQ	GREEN	6	
1	1	1	1	1	1	SHIELDING - 2 POS	COPPER ALLOY	-	5	
1	1	1	1	1	1	MCON 1.2 CABLE ASSY	-	-	4	
1	1	1	1	1	1	TPA	PA66-GF30 V0	RED	3	
1	-	-	-	-	-	INNER HOUSING - 2 POS	PA66-GF30 V0	BROWN	2	
-	1	-	-	-	-		PA66-GF30 V0	GREEN		
-	-	1	-	-	-		PA66-GF30 V0	PURPLE		
-	-	-	1	-	-		PA66-GF30 V0	BLUE		
-	-	-	-	1	-		PA66-GF30 V0	WHITE		
-	-	-	-	-	1		PA66-GF30 V0	BLACK		
1	1	1	1	1	1	RETAINER	PA66-GF30 V0	NATRAL	1	
-	-	-	-	-	-	DESCRIPTION	MATERIAL	COLOR	ITEM	
F	E	D	C	B	A	← CODING				
1-2371035-6	1-2371035-5	1-2371035-4	1-2371035-3	1-2371035-2	1-2371035-1	← ASSEMBLY P/N				
A	A	B	B	B	B	← REVISION OF ASSEMBLY				
Q'TY						← PART LIST				



THIS DRAWING IS A CONTROLLED DOCUMENT.

DIMENSIONS: mm 	TOLERANCES UNLESS OTHERWISE SPECIFIED: 0 PLC # # # # 1 PLC # # # # ±0.5 2 PLC # # # # 3 PLC # # # # 4 PLC # # # # ±2° ANGLES FINISH	DWN: Y. YANG 06MAY2020 CHK: E. JIANG 21MAY2020 APVD: L. YIN 21MAY2020 PRODUCT SPEC 108-160170 APPLICATION SPEC 116-160093 WEIGHT: - CUSTOMER DRAWING	NAME: PLUG ASSEMBLY HD400, 2POS / 3POS CONNECTOR SIZE: A   00779   C=2371035 SCALE: 2:1 SHEET 1 OF 1 REV: B2
-----------------------	---	--	--