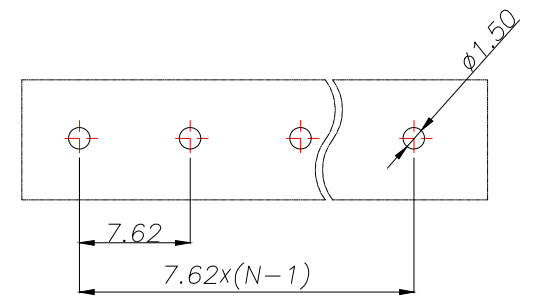
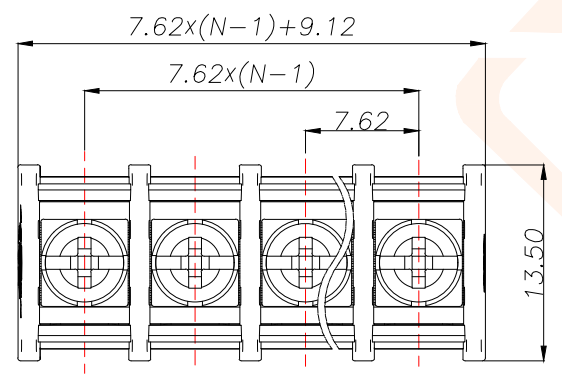




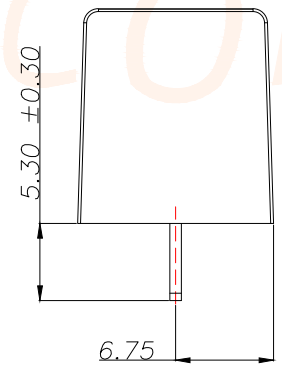
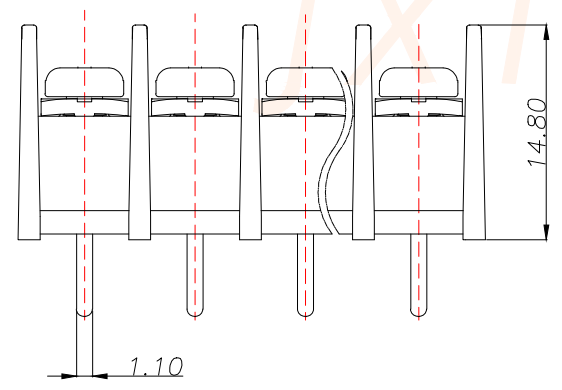
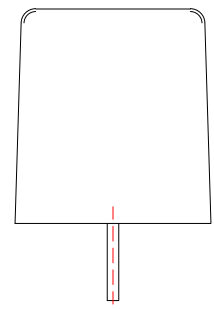
REV.	ECN NO.	DESCRIPTION	DATE	DESIGN

General tolerances(mm)													0.1/10	
0 ~ 3	>3 ~ 6	>6 ~ 10	>10 ~ 18	>18 ~ 30	>30 ~ 50	>50 ~ 80	>80 ~ 120	>120 ~ 180	>180 ~ 250	>250 ~ 315	>315 ~ 400	>400 ~ 500		>500
±0.12	±0.18	±0.22	±0.26	±0.31	±0.37	±0.57	±0.80	±0.93	±1.05	±1.15	±1.60	±2.20	±2.50	±2°

UL Standard	B	C	D
Rated Voltage(V)/Current(A)	300/7	/	/
Torque Tightening(N·m/Lb.in)	M3, 0.5/4.43		
Wire Range(rigid and flexible)(mm ² /AWG)	22~14		
Pitch(mm)/Poles	5.08/N=02~24P		
Operating temperature(°C)	-40~+105		
Conform to RoHS	Yes		



PCB LAYOUT



Note: The A&Z(H) in the name means: A(H) and Z(H).

3	Scerw	Steel	M3/Ni Plated
2	Pin Header	Copper alloy	Sn Plated
1	Housing	PA66	UL94V-0
ITEM	NAME OF PART	MATERIAL	NOTES

TOLERANCE		深圳聚兴泰电子科技有限公司 Shenzhen Juxingtai Electronic Technology Co., Ltd	
		PART NO.	TITLE:
		D76225C-NP0B36	Socket-type terminal
UNITS	mm	DESIGN: Ethan	MANUFACTURE DWG
MATERILA	---	CHED: Olvia	SCALE SHEET N:A 1/1
FINISH	---	APPD: Ava	