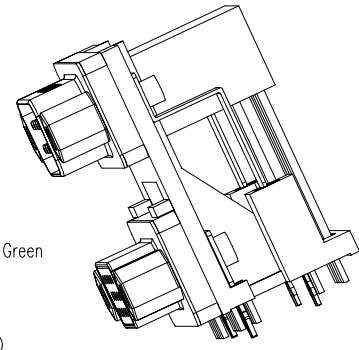
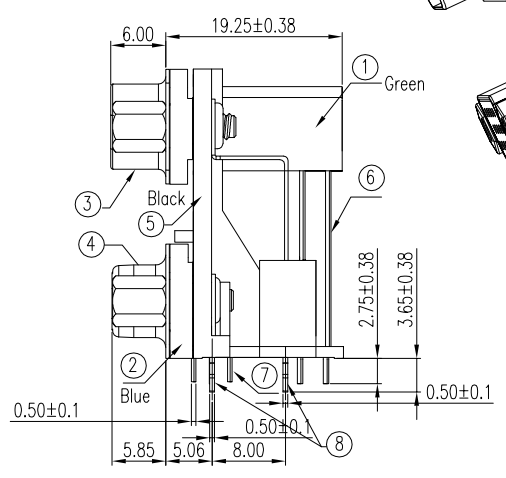
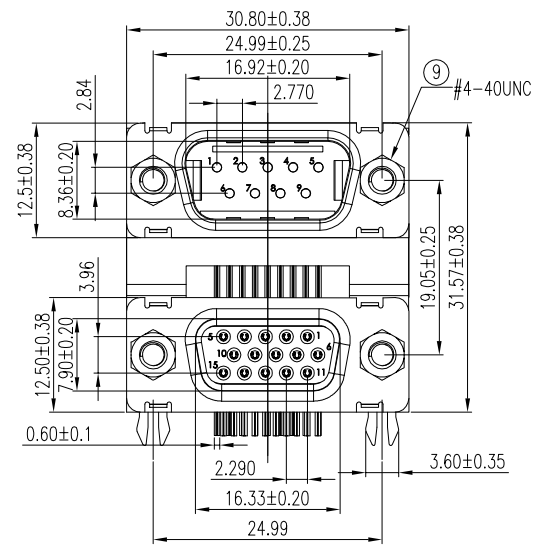
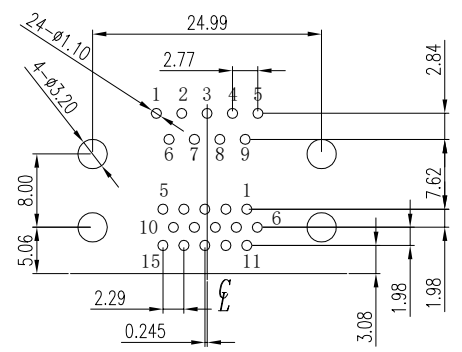
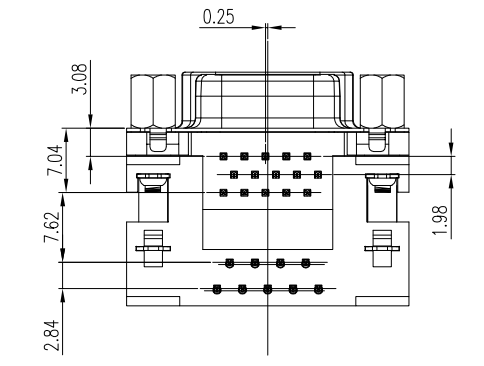


修 订	标 记	修 改 描 要	签 名	日 期
REV	MARK	REVISION DESCRIPTION	SIGNATURE	DATE
AD		NEW DRG		2016-03-12



NOTE:

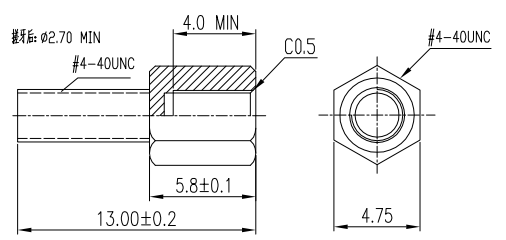
- Material
See Bom;
- Electrical Specification
Current Rating : 5 Ampere per contact.
Contact Resistance :30 Miliohms max.
Insulation Resistance : 500 Megohms Min of 500 DC.
Dielectric Withstanding Voltage :500 VAC for 1Minute.R.M.S.
- Environmental
3-1.CONNECTOR MATING FORCE: 4.00 Kg f MAX;
3-2.CONNECTOR UNMATING FORCE :0.45 Kg f MIN
Operating Temperature:-55° to +105°.
- Marked "▽" Should BE Controlled By Qip
- Marked "XX" Should BE Controlled By FAI
- PRODUCT MUST ACCORD THE"RoHS" SPEC



Recommended P.C.B Layout (top View)
Tolerance ±0.05mm Apply for 1.6mm PCB

See BOM

ITEM	DESC	Q'TY	Material	TREATMENT	REMARK
9	FEMALE SCREW LOOK	4 PCS	STEEL	#4-40 UNC,NICKEL PLATED	
8	Board lock	4 PCS	SPCC	Sn Alloy (Lead Free)100u"Min.	
7	D-SUB 15F Terminal	15 PIN	Brass	Gold Plating At Contact AREA Gold faish. Sn Alloy (Lead Free)100u"Min.At Tail OverNickel 50u" Min overall	
6	D-SUB 9M Terminal	9 PIN	Brass	Gold Plating At Contact AREA Gold faish. Sn Alloy (Lead Free)100u"Min.At Tail OverNickel 50u" Min overall	
5	D-SUB 9M/15F Bracket	1 PCS	PA66	Black	
4	D-SUB 15F Shell	1 PCS	STEEL	Plating Nickel 60u" Min. Overall	
3	D-SUB 9M Shell	1 PCS	STEEL	Plating Nickel 60u" Min. Overall	
2	D-SUB 15F Housing	1 Set	PBT GF30% UL 94V-0	Blue 661C	
1	D-SUB 9M Housing	1 Set	PBT GF30% UL 94V-0	Green 322C	



深圳市华德共创科技有限公司
Shenzhen Huade co-create Technology Co.,LTD
电话: 0755-27111216 传真: 0755-29940187

-TOLERANCES- UNLESS OTHERWISE SPECIFIED 公差参数表		TITLE: 产品名称: 高架HDR15母D-SUB9公二合一	
X.X ±0.30	X.X* ±3°	APPD: 核准:	PART NO: 产品编号: HDR-HX-103DIP
X.XX ±0.20	X.XX* ±2°	CHECK: 校对: 王建业	DATE SCALE UNIT CODE NUMBER
X.XXX ±0.10	X.XXX* ±1°	DRAW: 绘图: 黄艳兰	2016-03-12 1:1 mm A001