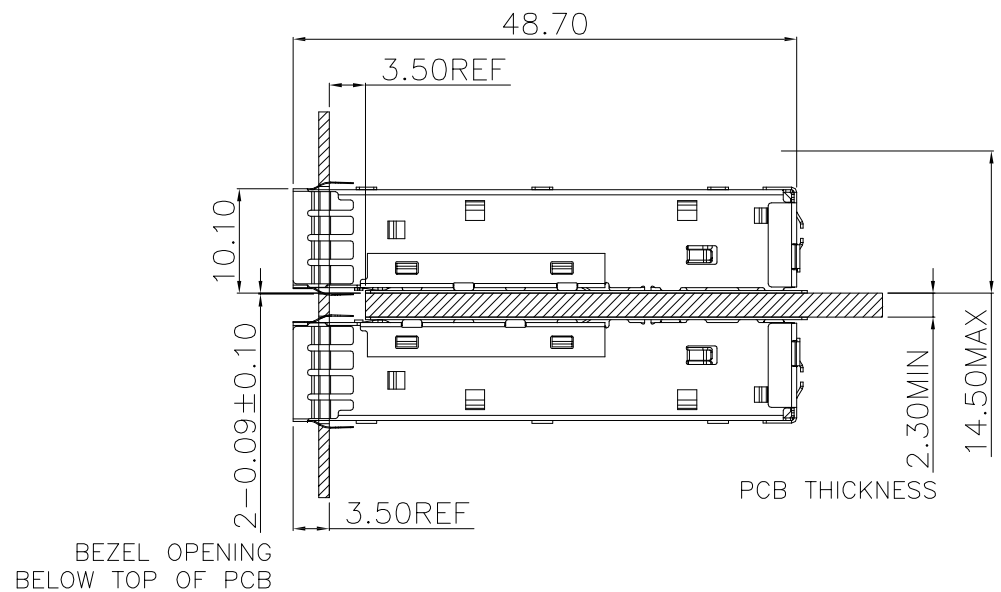
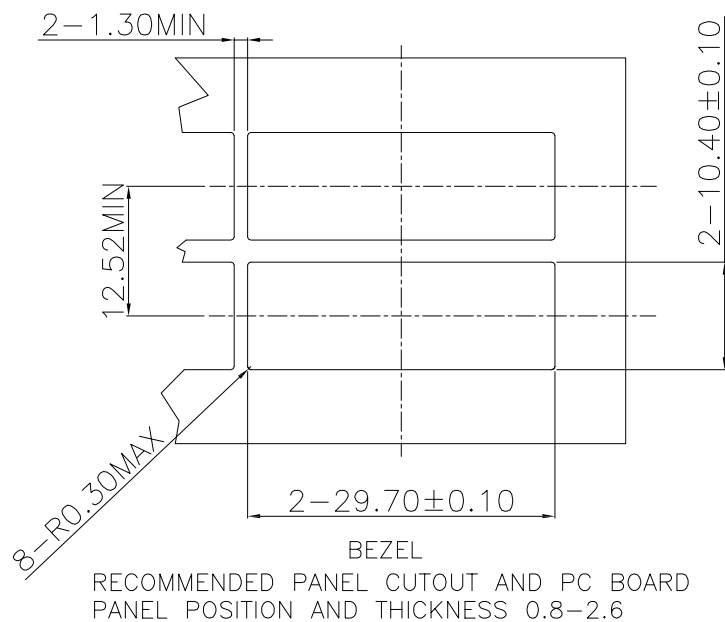
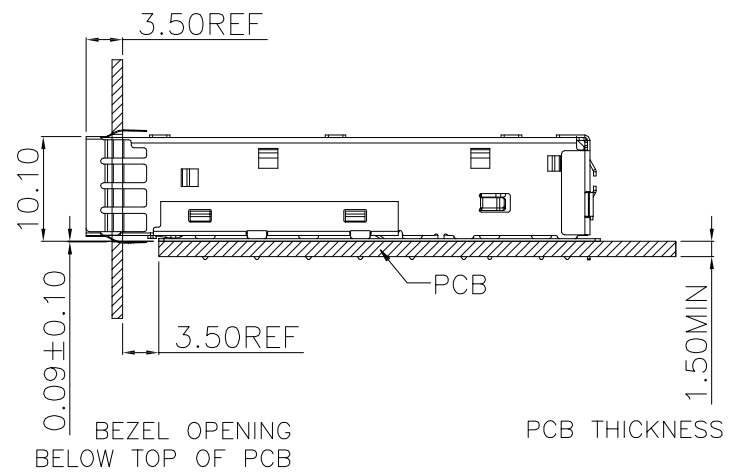
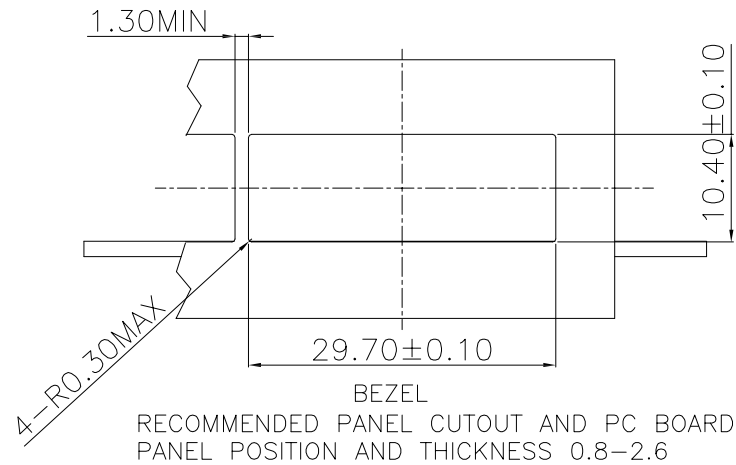


NOTES
 MATERIAL:
 1.CAGE: COPPER ALLOY
 2.BELLY PCB GASKETS: MICROWAVE ABSORBING ELASTOMERS.

TOLERANCE		UMax conn 东莞市友贸实业有限公司 DONGGUAN UMAX ENTERPRISE LIMITED	
LINEAR	ANGLES		
X±0.40	X°± 3°	APPD: Jason	MAT'L:
.X±0.30	.X°±	CHKD: Schumi	FINISH:
.XXX±0.10	.XXX°±	DRWN: Lei Songping	Q'TY:

TITLE: SFP28 1X2 CAGE ASSEMBLY, PRESS-FIT PCI, EMI SPRINGS			
PART NO. UMAX8212411		DWG NO. C-UMAX82	
	UNITS	SCALE	SHEET
	MM	1 : 1	1 OF 4
REV	ECN NO.	NAME	DATE
A	-----	P.F FENG	Jul 21/22
REV	ECN NO.	NAME	DATE

REV	ECN NO.	NAME	DATE
A	-----	P.F FENG	Jul 21/22
REV	ECN NO.	NAME	DATE

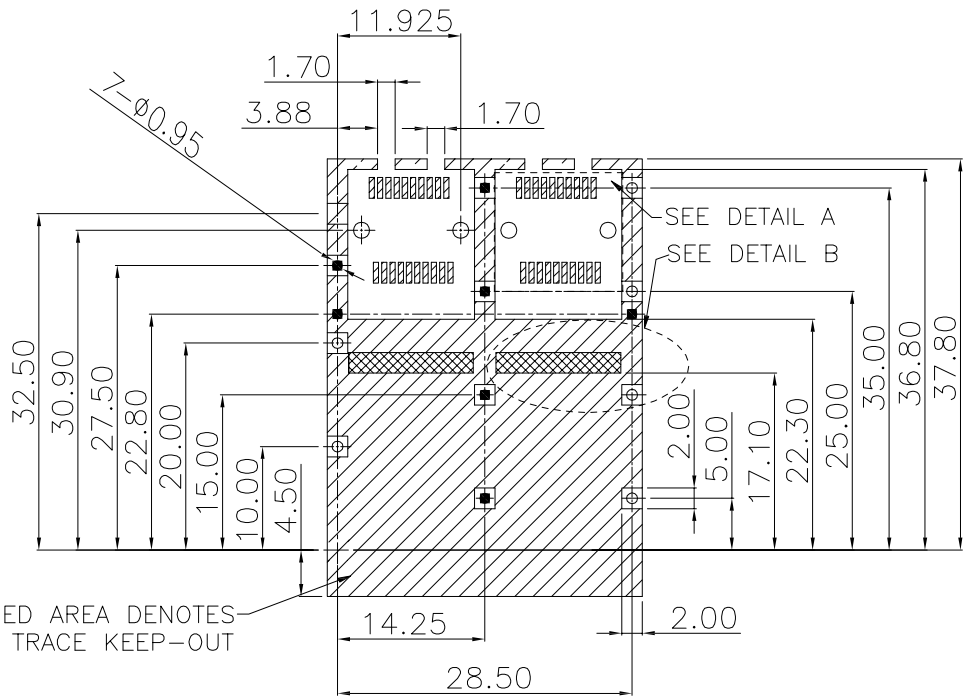


REV	ECN NO.	NAME	DATE
	SEE SHEE 1		

TOLERANCE	
LINEAR	ANGLES
X±0.40	X°± 3°
.X±0.30	.X°±
.XX±0.20	.XX°±
.XXX±0.10	.XXX°±

UMax conn 东莞市友贸实业有限公司 DONGGUAN UMAX ENTERPRISE LIMITED		APPD: Jason	MAT'L:
		CHKD: Schumi	FINISH:
DRWN: Lei Songping		Q'TY:	

TITLE: SFP28 1X2 CAGE ASSEMBLY, PRESS-FIT PCI, EMI SPRINGS			
PART NO. UMAX8212411			
DWG NO. C-UMAX82			
	UNITS	SCALE	SHEET
	MM	1 : 1	2 OF 4
		REV	A

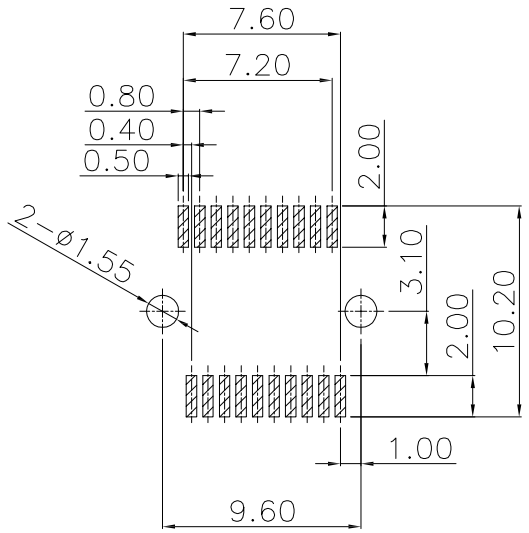


CROSS-HATCHED AREA DENOTES COMPONENT AND TRACE KEEP-OUT

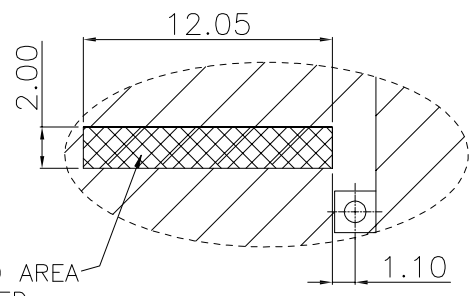
RECOMMENDED PCB LAYOUT (COMPONENT SIDE)
 RECOMMENDED MINIMUM PCB THICKNESS:1.50mm
 (ALL TOLERANCES ARE ±0.05)

“回 □ ■”圆孔均为通孔

RECOMMENDED PCB CONFIGURATION WITH KEEP-OUT AREAS SINGLE SIDED APPLICATIONS



DETAIL A(SCALE 2:1)



CROSS-HATCHED AREA DENOTES EXPOSED CHASSIS GROUND

DETAIL B(SCALE 2:1)

TOLERANCE	
LINEAR	ANGLES
X±0.40	X°± 3°
.X±0.30	.X*±
.XX±0.20	.XX*±
.XXX±0.10	.XXX*±

UMax conn 东莞市友贸实业有限公司
 DONGGUAN UMAX ENTERPRISE LIMITED

TITLE: SFP28 1X2 CAGE ASSEMBLY,PRESS-FITPCI,EMI SPRINGS

PART NO. UMAX8212411

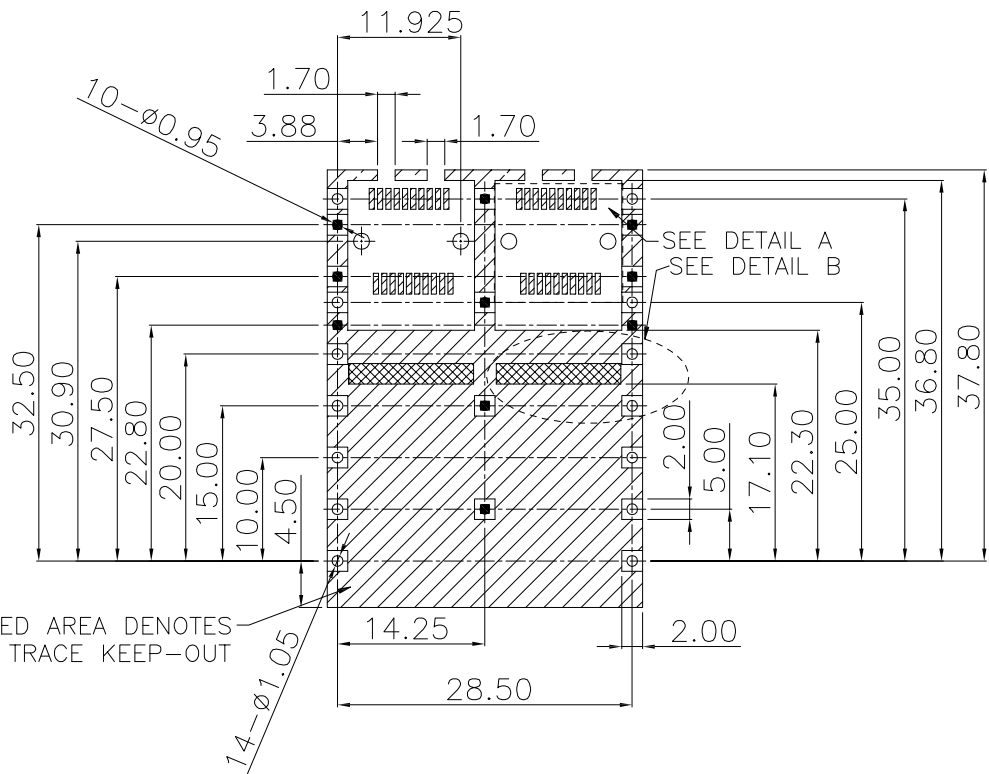
DWG NO. C-UMAX82

REV	ECN NO.	NAME	DATE
	SEE SHEE 1		

APPD: Jason
 CHKD: Schumi
 DRWN: Lei Songping

MAT'L:
 FINISH:
 Q'TY:

UNITS	SCALE	SHEET	REV
MM	1 : 1	3 OF 4	A

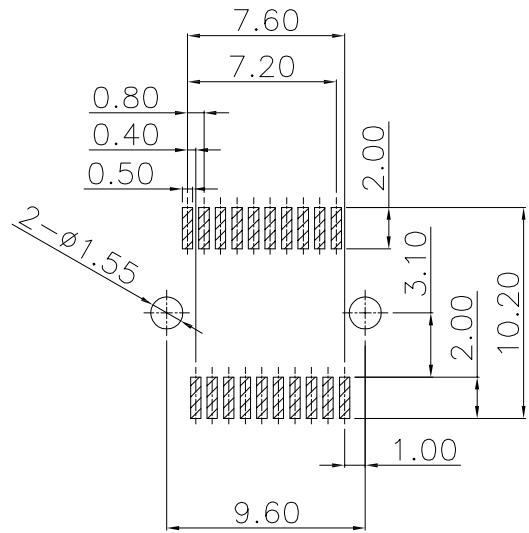


CROSS-HATCHED AREA DENOTES COMPONENT AND TRACE KEEP-OUT

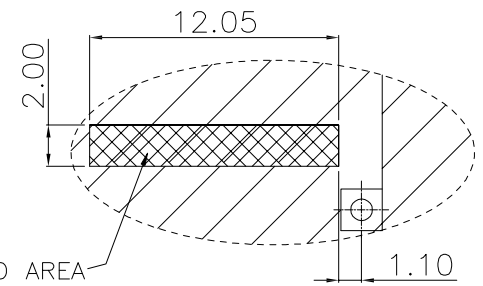
RECOMMENDED PCB LAYOUT (COMPONENT SIDE)
 RECOMMENDED MINIMUM PCB THICKNESS:2.25mm
 (ALL TOLERANCES ARE ±0.05)

“□” “■” “●” 圆孔均为通孔

RECOMMENDED PCB CONFIGURATION WITH KEEP-OUT AREAS BELLY TO BELLY APPLICATIONS



DETAIL A(SCALE 2:1)



CROSS-HATCHED AREA DENOTES EXPOSED CHASSIS GROUND

DETAIL B(SCALE 2:1)

TOLERANCE	
LINEAR	ANGLES
X±0.40	X°± 3°
.X±0.30	.X*±
.XX±0.20	.XX*±
.XXX±0.10	.XXX*±

UMax conn 东莞市友贸实业有限公司
 DONGGUAN UMAX ENTERPRISE LIMITED

TITLE: SFP28 1X2 CAGE ASSEMBLY,PRESS-FITPCI,EMI SPRINGS

PART NO. UMAX8212411

DWG NO. C-UMAX82

REV	ECN NO.	NAME	DATE
	SEE SHEE 1		

APPD: Jason
 CHKD: Schumi
 DRWN: Lei Songping

MAT'L:
 FINISH:
 Q'TY:

UNITS	SCALE	SHEET	REV
MM	1 : 1	4 OF 4	A