

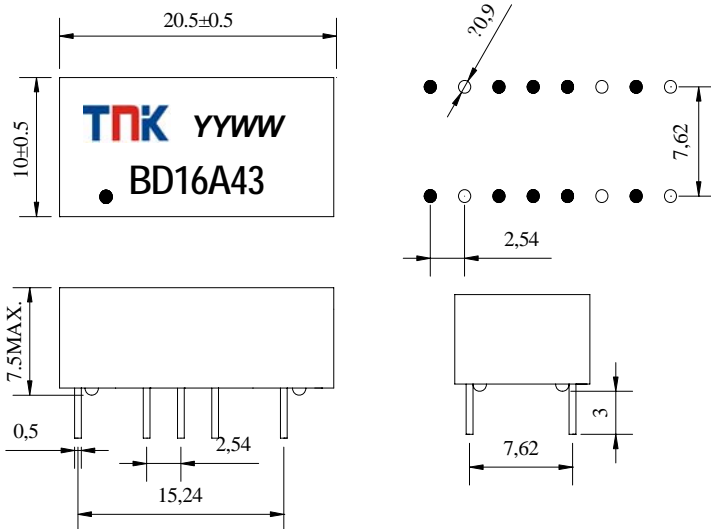


- ✚ Designed to meet IEEE802.3u requirement
- ✚ Primary inductance 350uH min with 8mA DC Bias
- ✚ RoHS Compliant.
- ✚ Operating temperature range:0°C to+70°C
- ✚ Storage temperature range:-25°C to+125°C

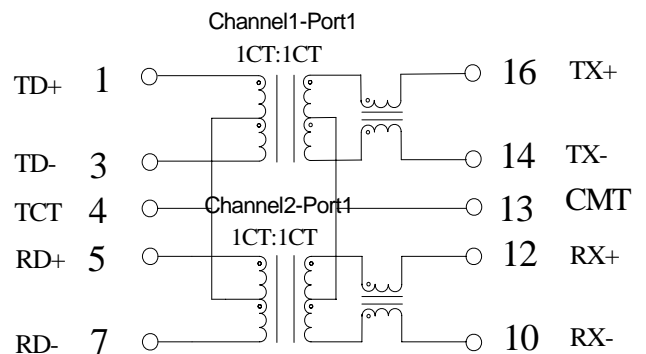
## Electrical Specifications @ 25°C

Part Number	Turn Ratio		Insertion Loss 0.5~100M Hz (dB Max)	Return Loss (dB Min)			Cross Talk (dB Min)		CMRR (dB Min)	CWW (Max)	LK (Max)	DCR (Max)	Hi-Pot (Vrms)
	Tx	Rx		0.5-30 MHz	30.1-60 MHz	60.1-80 MHz	0.5-40 MHz	40.1-100 MHz					
BD16A43	1:1	1:1	-1.0	-16	-14	-12	-35	-30	-30	56PF	0.5uH	1.2Ω	1500

## Mechanical



## Schematics



### NOTE:

Dimensions:mm;

Unless otherwise specified,tolerances:±0.25(mm);

Data sheet subject to change without notice