

DATA SHEET

74LVC1G66 Bilateral switch

Product specification
Supersedes data of 2002 Nov 15

2004 Apr 13

Bilateral switch

74LVC1G66

FEATURES

- Very low ON resistance:
 - 7.5 Ω (typical) at $V_{CC} = 2.7$ V
 - 6.5 Ω (typical) at $V_{CC} = 3.3$ V
 - 6 Ω (typical) at $V_{CC} = 5$ V.
- Switch handling capability of 32 mA
- High noise immunity
- CMOS low power consumption
- Latch-up performance exceeds 100 mA per JESD78 Class II
- Direct interface TTL-levels
- Multiple package options
- ESD protection:
 - HBM EIA/JESD22-A114-B exceeds 2000 V
 - MM EIA/JESD22-A115-A exceeds 200 V.
- Specified from -40 to $+85$ °C and -40 to $+125$ °C.

DESCRIPTION

The 74LVC1G66 is a high-speed Si-gate CMOS device.

The 74LVC1G66 provides an analog switch. The switch has two input/output pins (Y and Z) and an active HIGH enable input pin (E). When pin E is LOW, the analog switch is turned off.

QUICK REFERENCE DATA

Ground = 0 V; $T_{amb} = 25$ °C; $t_r = t_f \leq 3.0$ ns.

SYMBOL	PARAMETER	CONDITIONS	TYPICAL	UNIT
t_{PZH}/t_{PZL}	turn-ON time E to V_{OS}	$C_L = 50$ pF; $R_L = 500$ Ω ; $V_{CC} = 3$ V	2.5	ns
		$C_L = 50$ pF; $R_L = 500$ Ω ; $V_{CC} = 5$ V	1.9	ns
t_{PHZ}/t_{PLZ}	turn-OFF time E to V_{OS}	$C_L = 50$ pF; $R_L = 500$ Ω ; $V_{CC} = 3$ V	3.4	ns
		$C_L = 50$ pF; $R_L = 500$ Ω ; $V_{CC} = 5$ V	2.5	ns
C_I	input capacitance		2	pF
C_{PD}	power dissipation capacitance	$C_L = 50$ pF; $f_i = 10$ MHz; $V_{CC} = 3.3$ V; notes 1 and 2	12.0	pF
C_S	switch capacitance	OFF-state	6.5	pF
		ON-state	11	pF

Notes

1. C_{PD} is used to determine the dynamic power dissipation (P_D in μ W).

$P_D = C_{PD} \times V_{CC}^2 \times f_i + \{(C_L + C_S) \times V_{CC}^2 \times f_o\}$ where:

f_i = input frequency in MHz;

f_o = output frequency in MHz;

C_L = output load capacitance in pF;

C_S = switch capacitance in pF;

V_{CC} = supply voltage in Volts;

2. The condition is $V_i = \text{GND}$ to V_{CC} .

Bilateral switch

74LVC1G66

FUNCTION TABLE

See note 1.

INPUT E	SWITCH
L	OFF
H	ON

Note

- 1. H = HIGH voltage level;
L = LOW voltage level.

ORDERING INFORMATION

TYPE NUMBER	PACKAGE					
	TEMPERATURE RANGE	PINS	PACKAGE	MATERIAL	CODE	MARKING
74LVC1G66GW	-40 to +125 °C	5	SC-88A	plastic	SOT353	VL
74LVC1G66GV	-40 to +125 °C	5	SC-74A	plastic	SOT753	V66

PINNING

PIN	SYMBOL	DESCRIPTION
1	Y	independent input/output
2	Z	independent output/input
3	GND	ground (0 V)
4	E	enable input (active HIGH)
5	V _{CC}	supply voltage

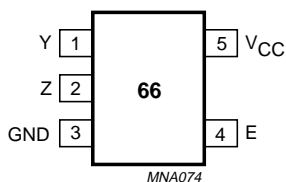


Fig.1 Pin configuration.

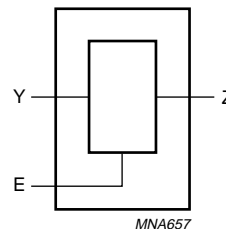
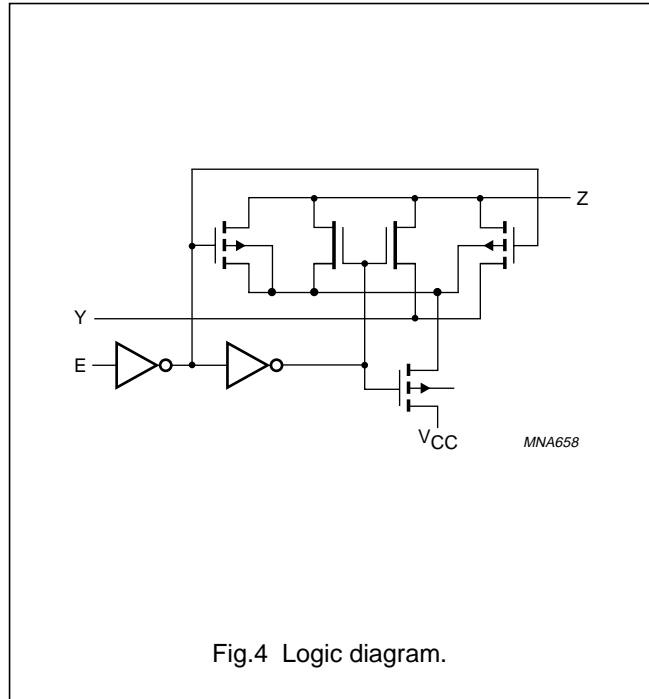
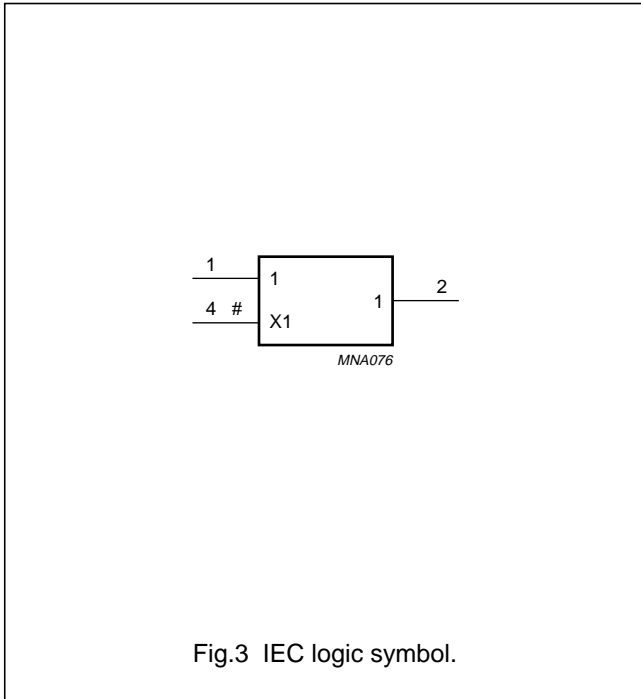


Fig.2 Logic symbol.

Bilateral switch

74LVC1G66



RECOMMENDED OPERATING CONDITIONS

SYMBOL	PARAMETER	CONDITIONS	MIN.	MAX.	UNIT
V_{CC}	supply voltage		1.65	5.5	V
V_I	input voltage		0	5.5	V
V_O	output voltage	active mode	0	V_{CC}	V
		$V_{CC} = 0$ V; Power-down mode	0	5.5	V
T_{amb}	operating ambient temperature		-40	+125	°C
t_r, t_f	input rise and fall times	$V_{CC} = 1.65$ to 2.7 V	0	20	ns/V
		$V_{CC} = 2.7$ to 5.5 V	0	10	ns/V

Bilateral switch

74LVC1G66

LIMITING VALUES

In accordance with the Absolute Maximum Rating System (IEC 60134); voltages are referenced to GND (ground = 0 V).

SYMBOL	PARAMETER	CONDITIONS	MIN.	MAX.	UNIT
V_{CC}	supply voltage		-0.5	+6.5	V
I_{IK}	input diode current	$V_I < 0$	-	-50	mA
V_I	input voltage	note 1	-0.5	+6.5	V
V_O	output voltage	active mode; notes 1 and 2	-0.5	$V_{CC} + 0.5$	V
		Power-down mode; notes 1 and 2	-0.5	+6.5	V
I_{OS}	maximum switch current	$V_O = 0$ to V_{CC}	-	± 50	mA
I_{CC}, I_{GND}	V_{CC} or GND current		-	± 100	mA
T_{stg}	storage temperature		-65	+150	°C
P_{tot}	power dissipation	$T_{amb} = -40$ to $+125$ °C; note 2	-	250	mW

Notes

1. The input and output voltage ratings may be exceeded if the input and output current ratings are observed.
2. When $V_{CC} = 0$ V (Power-down mode), the output voltage can be 5.5 V in normal operation.

DC CHARACTERISTICS

At recommended operating conditions; voltages are referenced to GND (ground = 0 V).

SYMBOL	PARAMETER	TEST CONDITIONS		MIN.	TYP.	MAX.	UNIT
		OTHER	V_{CC} (V)				
$T_{amb} = -40$ to $+85$ °C; note 1							
V_{IH}	HIGH-level input voltage		1.65 to 1.95	$0.65 \times V_{CC}$	-	-	V
			2.3 to 2.7	1.7	-	-	V
			2.7 to 3.6	2.0	-	-	V
			4.5 to 5.5	$0.7 \times V_{CC}$	-	-	V
V_{IL}	LOW-level input voltage		1.65 to 1.95	-	-	$0.35 \times V_{CC}$	V
			2.3 to 2.7	-	-	0.7	V
			2.7 to 3.6	-	-	0.8	V
			4.5 to 5.5	-	-	$0.3 \times V_{CC}$	V
I_{LI}	input leakage current (control pin)	$V_I = 5.5$ V or GND	5.5	-	± 0.1	± 5	μ A
I_S	analog switch OFF-state current	$V_I = V_{IH}$ or V_{IL} ; $ V_S = V_{CC} - \text{GND}$; see Fig.5	5.5	-	± 0.1	± 5	μ A
	analog switch ON-state current	$V_I = V_{IH}$ or V_{IL} ; $ V_S = V_{CC} - \text{GND}$; see Fig.6	5.5	-	± 0.1	± 5	μ A
I_{CC}	quiescent supply current	$V_I = V_{CC}$ or GND; $V_S = \text{GND}$ or V_{CC} ; $I_O = 0$	5.5	-	0.1	10	μ A

Bilateral switch

74LVC1G66

SYMBOL	PARAMETER	TEST CONDITIONS		MIN.	TYP.	MAX.	UNIT
		OTHER	V _{CC} (V)				
ΔI_{CC}	additional quiescent supply current per control pin	$V_I = V_{CC} - 0.6$ V; $V_S = GND$ or V_{CC} ; $I_O = 0$	5.5	–	5	500	μ A
$R_{ON(peak)}$	ON-resistance (peak)	$V_S = GND$ to V_{CC} ; $V_I = V_{IH}$; see Fig.7 $I_S = 4$ mA $I_S = 8$ mA $I_S = 12$ mA $I_S = 24$ mA $I_S = 32$ mA	1.65 to 1.95 2.3 to 2.7 2.7 3.0 to 3.6 4.5 to 5.5	– – – – –	35 14 11.5 8.5 6.5	100 30 25 20 15	Ω Ω Ω Ω Ω
$R_{ON(rail)}$	ON-resistance (rail)	$V_S = GND$; $V_I = V_{IH}$; see Fig.7 $I_S = 4$ mA $I_S = 8$ mA $I_S = 12$ mA $I_S = 24$ mA $I_S = 32$ mA	1.65 to 1.95 2.3 to 2.7 2.7 3.0 to 3.6 4.5 to 5.5	– – – – –	10 8.5 7.5 6.5 6	30 20 18 15 10	Ω Ω Ω Ω Ω
		$V_S = V_{CC}$; $V_I = V_{IH}$; see Fig.7 $I_S = 4$ mA $I_S = 8$ mA $I_S = 12$ mA $I_S = 24$ mA $I_S = 32$ mA	1.65 to 1.95 2.3 to 2.7 2.7 3.0 to 3.6 4.5 to 5.5	– – – – –	12 8.5 7.5 6.5 6	30 20 18 15 10	Ω Ω Ω Ω Ω
$R_{ON(flatness)}$	ON-resistance (flatness)	$V_S = GND$ to V_{CC} ; $V_I = V_{IH}$; see Figs 9 to 13 $I_S = 4$ mA $I_S = 8$ mA $I_S = 12$ mA $I_S = 24$ mA $I_S = 32$ mA	1.65 to 1.95 2.3 to 2.7 2.7 3.0 to 3.6 4.5 to 5.5	– – – – –	100 ⁽²⁾ 17 ⁽²⁾ 10 ⁽²⁾ 5 ⁽²⁾ 3 ⁽²⁾	– – – – –	Ω Ω Ω Ω Ω

Bilateral switch

74LVC1G66

SYMBOL	PARAMETER	TEST CONDITIONS		MIN.	TYP.	MAX.	UNIT
		OTHER	V _{CC} (V)				
T_{amb} = -40 to +125 °C							
V _{IH}	HIGH-level input voltage		1.65 to 1.95	0.65 × V _{CC}	–	–	V
			2.3 to 2.7	1.7	–	–	V
			2.7 to 3.6	2.0	–	–	V
			4.5 to 5.5	0.7 × V _{CC}	–	–	V
V _{IL}	LOW-level input voltage		1.65 to 1.95	–	–	0.35 × V _{CC}	V
			2.3 to 2.7	–	–	0.7	V
			2.7 to 3.6	–	–	0.8	V
			4.5 to 5.5	–	–	0.3 × V _{CC}	V
I _{LI}	input leakage current (control pin)	V _I = 5.5 V or GND	5.5	–	–	100	μA
I _S	analog switch OFF-state current	V _I = V _{IH} or V _{IL} ; V _S = V _{CC} – GND; see Fig.5	5.5	–	–	200	μA
	analog switch ON-state current	V _I = V _{IH} or V _{IL} ; V _S = V _{CC} – GND; see Fig.6	5.5	–	–	200	μA
I _{CC}	quiescent supply current	V _I = V _{CC} or GND; V _S = GND or V _{CC} ; I _O = 0	5.5	–	–	200	μA
ΔI _{CC}	additional quiescent supply current per control pin	V _I = V _{CC} – 0.6 V; V _S = GND or V _{CC} ; I _O = 0	5.5	–	–	5000	μA
R _{ON(peak)}	ON-resistance (peak)	V _S = GND to V _{CC} ; V _I = V _{IH} ; see Fig.7					
		I _S = 4 mA	1.65 to 1.95	–	–	150	Ω
		I _S = 8 mA	2.3 to 2.7	–	–	45	Ω
		I _S = 12 mA	2.7	–	–	38	Ω
		I _S = 24 mA	3.0 to 3.6	–	–	30	Ω
		I _S = 32 mA	4.5 to 5.5	–	–	23	Ω

Bilateral switch

74LVC1G66

SYMBOL	PARAMETER	TEST CONDITIONS		MIN.	TYP.	MAX.	UNIT	
		OTHER	V _{CC} (V)					
R _{ON(rail)}	ON-resistance (rail)	V _S = GND; V _I = V _{IH} ; see Fig.7						
		I _S = 4 mA	1.65 to 1.95	–	–	45	Ω	
		I _S = 8 mA	2.3 to 2.7	–	–	30	Ω	
		I _S = 12 mA	2.7	–	–	27	Ω	
		I _S = 24 mA	3.0 to 3.6	–	–	23	Ω	
		I _S = 32 mA	4.5 to 5.5	–	–	15	Ω	
		V _S = V _{CC} ; V _I = V _{IH} ; see Fig.7						
		I _S = 4 mA	1.65 to 1.95	–	–	45	Ω	
		I _S = 8 mA	2.3 to 2.7	–	–	30	Ω	
		I _S = 12 mA	2.7	–	–	27	Ω	
I _S = 24 mA	3.0 to 3.6	–	–	23	Ω			
I _S = 32 mA	4.5 to 5.5	–	–	15	Ω			

Notes

1. All typical values are measured at T_{amb} = 25 °C.
2. R_{ON} flatness over operating temperature range (T_{amb} = -40 to +85 °C).

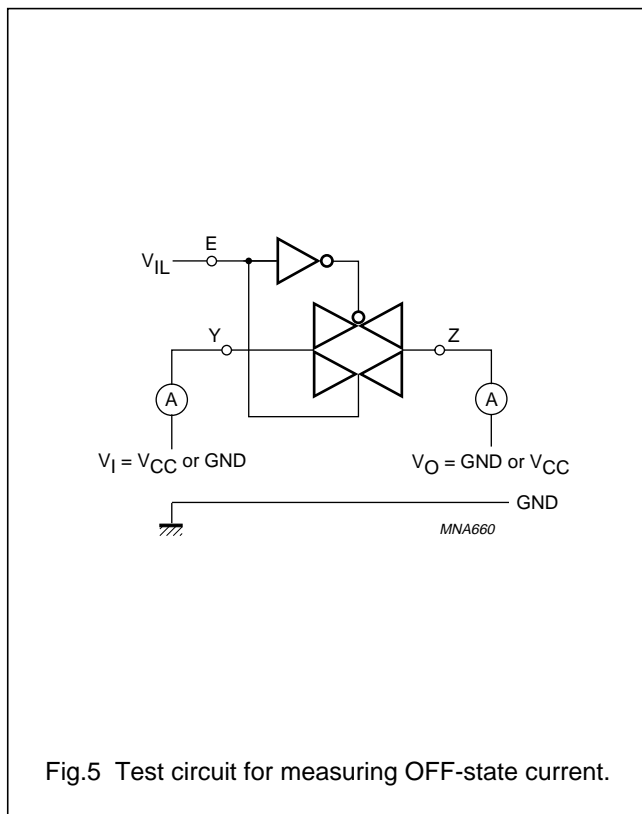


Fig.5 Test circuit for measuring OFF-state current.

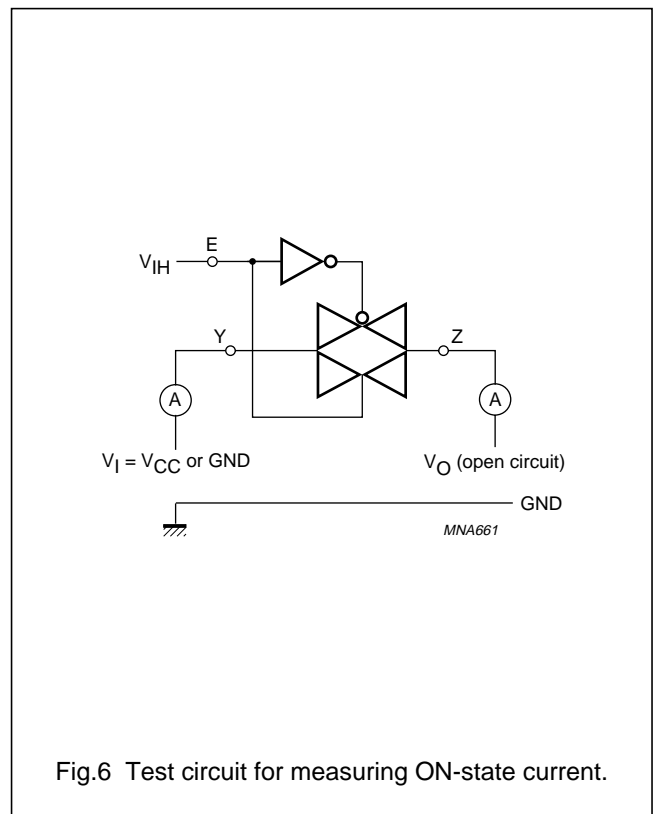
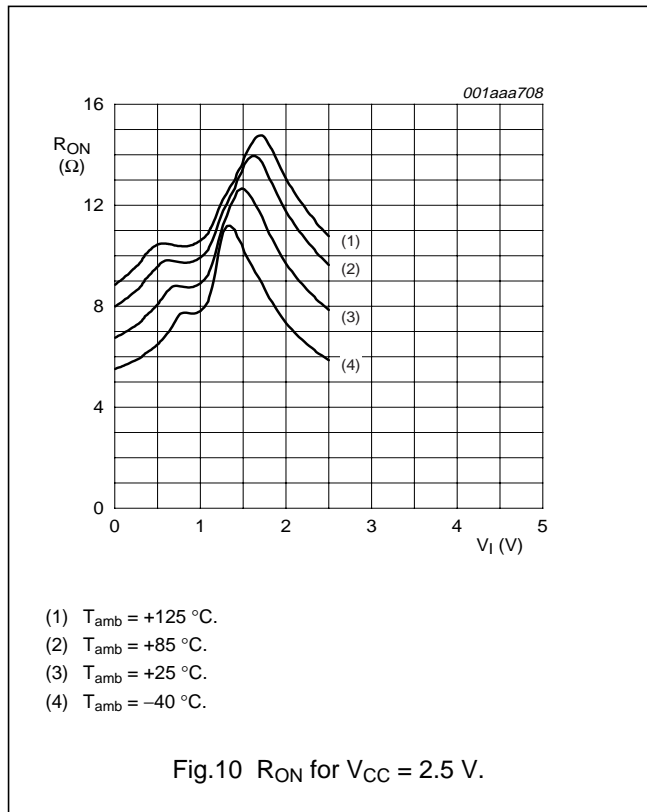
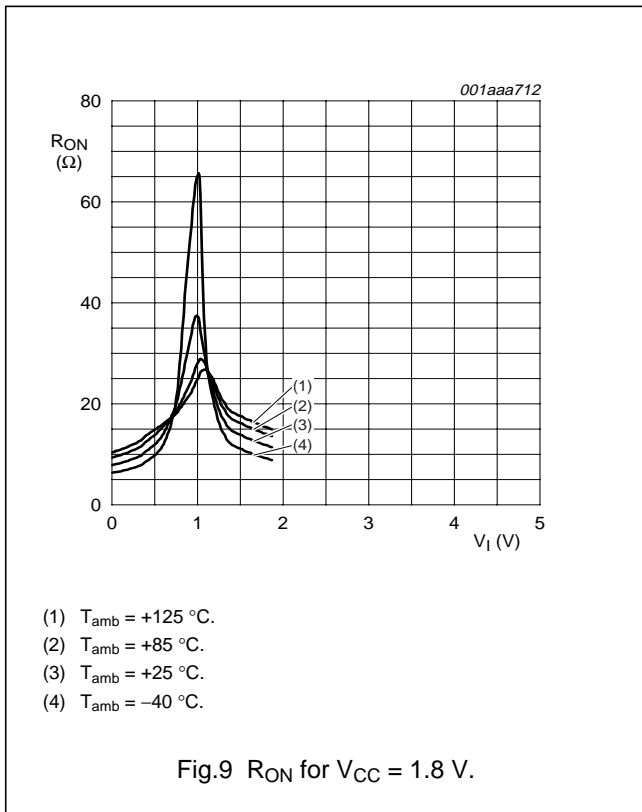
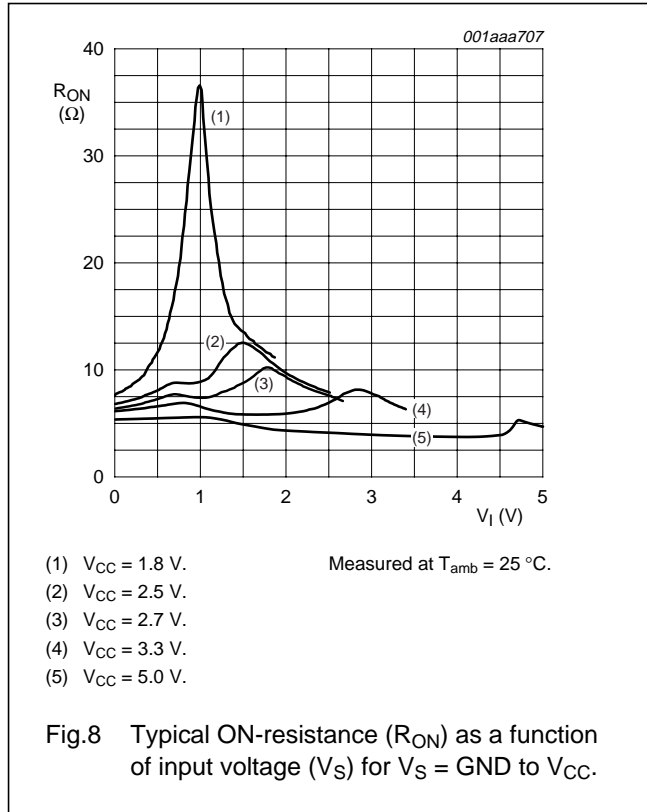
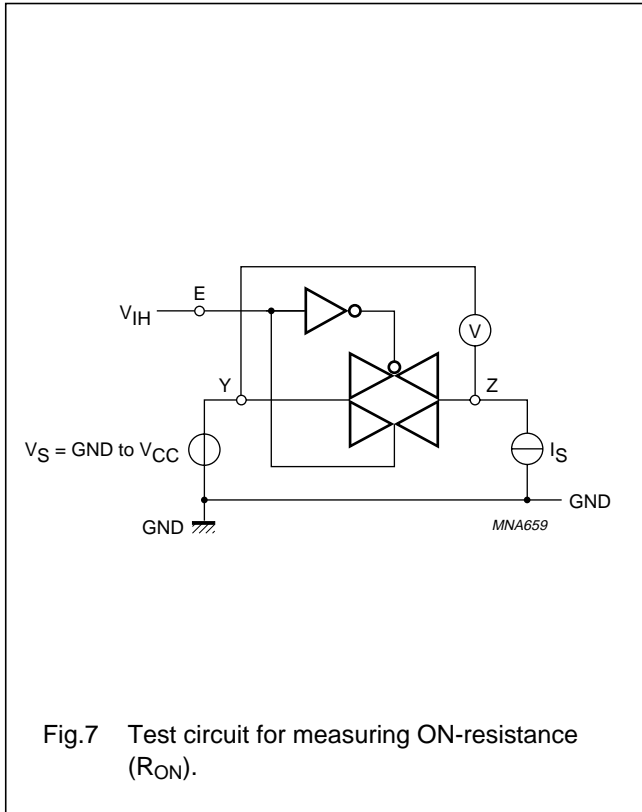


Fig.6 Test circuit for measuring ON-state current.

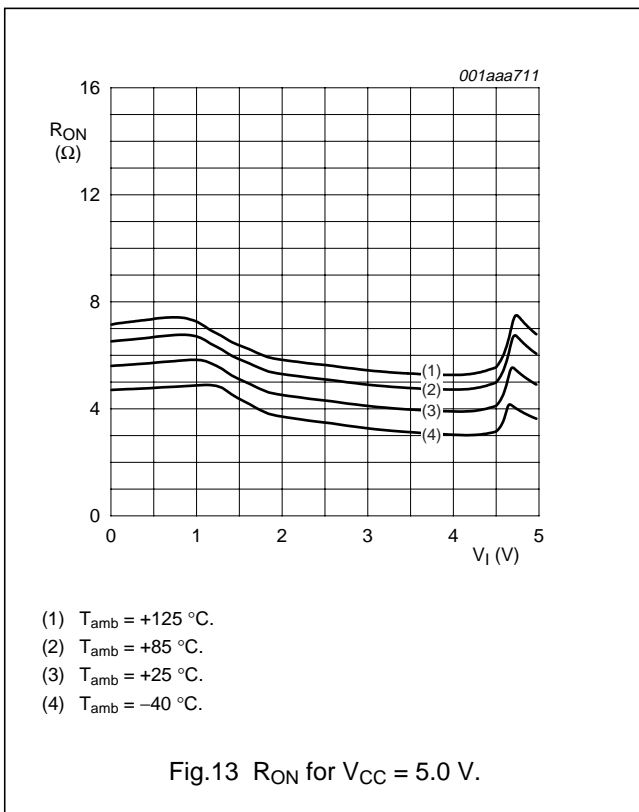
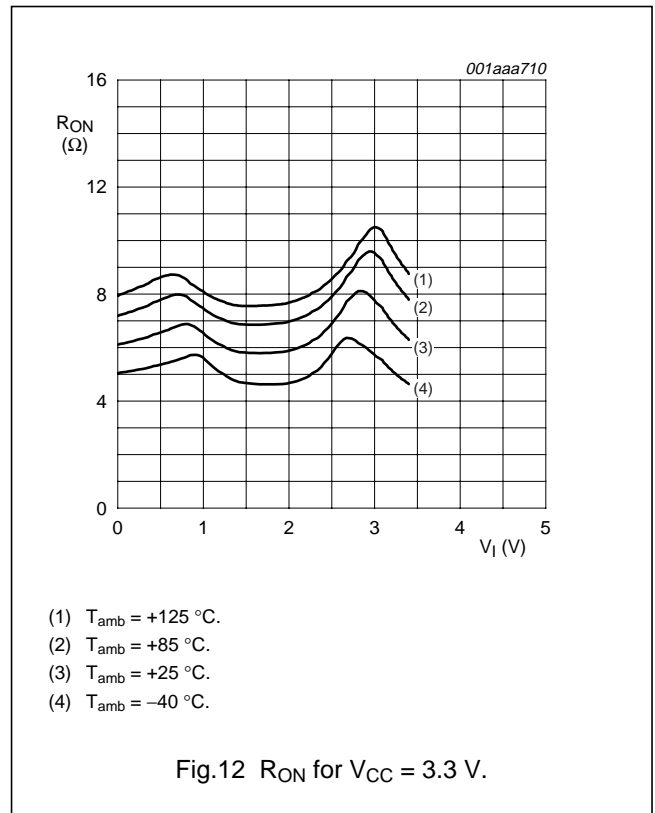
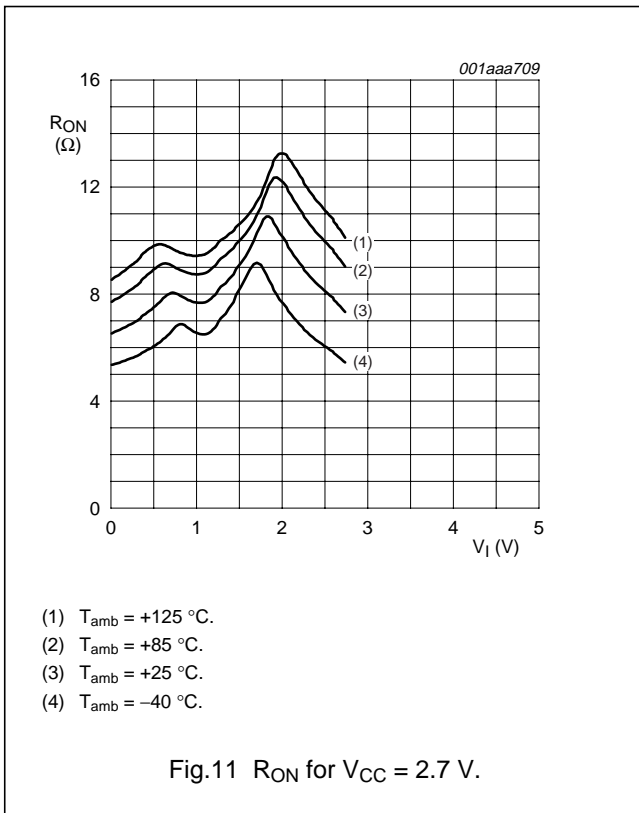
Bilateral switch

74LVC1G66



Bilateral switch

74LVC1G66



Bilateral switch

74LVC1G66

AC CHARACTERISTICS

SYMBOL	PARAMETER	TEST CONDITIONS		MIN.	TYP.	MAX.	UNIT
		WAVEFORMS	V _{CC} (V)				
T_{amb} = -40 to +85 °C; note 1							
t _{PHL} /t _{PLH}	propagation delay Y to Z or Z to Y	see Figs 14 and 16	1.65 to 1.95	–	0.8	2	ns
			2.3 to 2.7	–	0.4	1.2	ns
			2.7	–	0.4	1	ns
			3.0 to 3.6	–	0.3	0.8	ns
			4.5 to 5.5	–	0.2	0.6	ns
t _{PZH} /t _{PZL}	turn-ON time E to V _{OS}	see Figs 15 and 16	1.65 to 1.95	1	5.3	12	ns
			2.3 to 2.7	1	3.0	6.5	ns
			2.7	1	2.6	6	ns
			3.0 to 3.6	1	2.5	5	ns
			4.5 to 5.5	1	1.9	4.2	ns
t _{PHZ} /t _{PLZ}	turn-OFF time E to V _{OS}	see Figs 15 and 16	1.65 to 1.95	1	4.2	10	ns
			2.3 to 2.7	1	2.4	6.9	ns
			2.7	1	3.6	7.5	ns
			3.0 to 3.6	1	3.4	6.5	ns
			4.5 to 5.5	1	2.5	5	ns
T_{amb} = -40 to +125 °C							
t _{PHL} /t _{PLH}	propagation delay Y to Z or Z to Y	see Figs 14 and 16	1.65 to 1.95	–	–	3	ns
			2.3 to 2.7	–	–	2	ns
			2.7	–	–	1.5	ns
			3.0 to 3.6	–	–	1.5	ns
			4.5 to 5.5	–	–	1	ns
t _{PZH} /t _{PZL}	turn-ON time E to V _{OS}	see Figs 15 and 16	1.65 to 1.95	1	–	15.5	ns
			2.3 to 2.7	1	–	8.5	ns
			2.7	1	–	8	ns
			3.0 to 3.6	1	–	6.5	ns
			4.5 to 5.5	1	–	5.5	ns
t _{PHZ} /t _{PLZ}	turn-OFF time E to V _{OS}	see Figs 15 and 16	1.65 to 1.95	1	–	13	ns
			2.3 to 2.7	1	–	9	ns
			2.7	1	–	9.5	ns
			3.0 to 3.6	1	–	8.5	ns
			4.5 to 5.5	1	–	6.5	ns

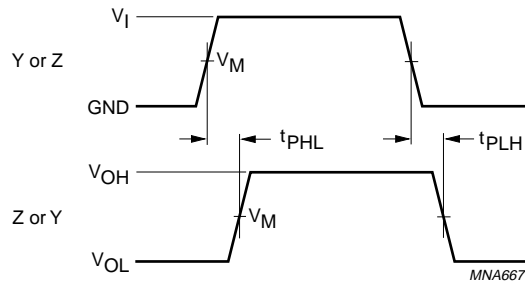
Note

1. All typical values are measured at T_{amb} = 25 °C.

Bilateral switch

74LVC1G66

AC WAVEFORMS



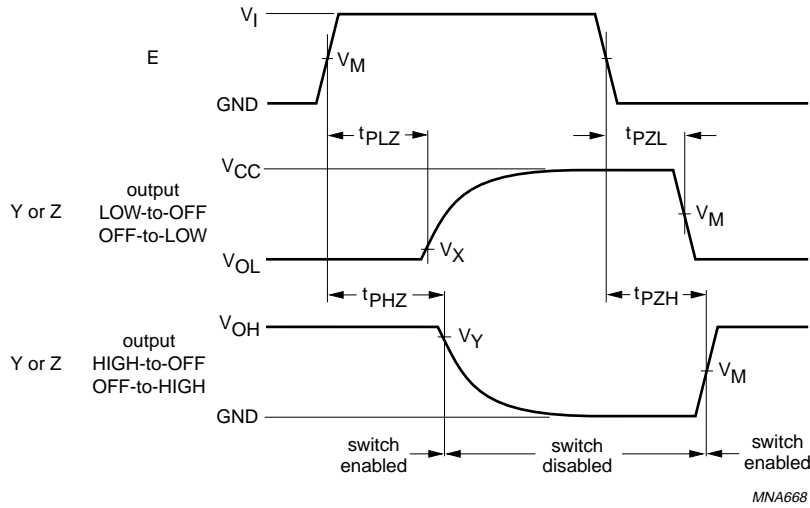
V_{CC}	V_M	V_I	INPUT $t_r = t_f$
1.65 to 1.95 V	$0.5 \times V_{CC}$	V_{CC}	≤ 2.0 ns
2.3 to 2.7 V	$0.5 \times V_{CC}$	V_{CC}	≤ 2.0 ns
2.7 V	1.5 V	2.7 V	≤ 2.5 ns
3.0 to 3.6 V	1.5 V	2.7 V	≤ 2.5 ns
4.5 to 5.5 V	$0.5 \times V_{CC}$	V_{CC}	≤ 2.5 ns

V_{OL} and V_{OH} are typical output voltage drop that occur with the output load.

Fig.14 The input (V_S) to output (V_O) propagation delays.

Bilateral switch

74LVC1G66



V_{CC}	V_M	V_I	INPUT $t_r = t_f$
1.65 to 1.95 V	$0.5 \times V_{CC}$	V_{CC}	≤ 2.0 ns
2.3 to 2.7 V	$0.5 \times V_{CC}$	V_{CC}	≤ 2.0 ns
2.7 V	1.5 V	2.7 V	≤ 2.5 ns
3.0 to 3.6 V	1.5 V	2.7 V	≤ 2.5 ns
4.5 to 5.5 V	$0.5 \times V_{CC}$	V_{CC}	≤ 2.5 ns

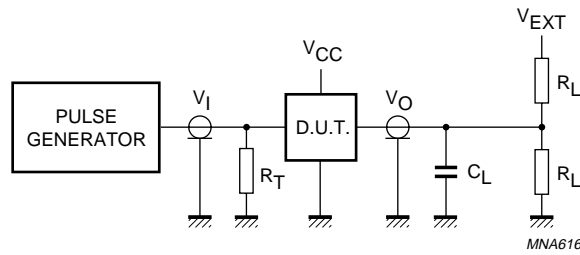
$V_X = V_{OL} + 0.3$ V at $V_{CC} \geq 2.7$ V;
 $V_X = V_{OL} + 0.1 \times V_{CC}$ at $V_{CC} < 2.7$ V;
 $V_Y = V_{OH} - 0.3$ V at $V_{CC} \geq 2.7$ V;
 $V_Y = V_{OH} - 0.1 \times V_{CC}$ at $V_{CC} < 2.7$ V.

V_{OL} and V_{OH} are typical output voltage drop that occur with the output load.

Fig.15 The turn-on and turn-off times.

Bilateral switch

74LVC1G66



V _{CC}	V _I	C _L	R _L	V _{EXT}		
				t _{PLH} /t _{PHL}	t _{PZH} /t _{PHZ}	t _{PZL} /t _{PLZ}
1.65 to 1.95 V	V _{CC}	30 pF	1 kΩ	open	GND	2 × V _{CC}
2.3 to 2.7 V	V _{CC}	30 pF	500 Ω	open	GND	2 × V _{CC}
2.7 V	2.7 V	50 pF	500 Ω	open	GND	6 V
3.0 to 3.6 V	2.7 V	50 pF	500 Ω	open	GND	6 V
4.5 to 5.5 V	V _{CC}	50 pF	500 Ω	open	GND	2 × V _{CC}

Definitions for test circuit:

R_L = Load resistor.

C_L = Load capacitance including jig and probe capacitance.

R_T = Termination resistance should be equal to the output impedance Z_o of the pulse generator.

Fig.16 Load circuitry for switching times.

Bilateral switch

74LVC1G66

ADDITIONAL AC CHARACTERISTICSAt recommended conditions and all typical values are measured at $T_{amb} = 25\text{ }^{\circ}\text{C}$.

SYMBOL	PARAMETER	TEST CONDITIONS	V _{CC} (V)	TYP.	UNIT
d _{sin}	sine-wave distortion	R _L = 10 kΩ; C _L = 50 pF; f _i = 1 kHz; see Fig.18	1.65	0.032	%
			2.3	0.008	%
			3	0.006	%
			4.5	0.001	%
		R _L = 10 kΩ; C _L = 50 pF; f _i = 10 kHz; see Fig.18	1.65	0.068	%
			2.3	0.009	%
			3	0.008	%
			4.5	0.006	%
f _{ON(res)}	switch ON signal frequency response	R _L = 600 Ω; C _L = 50 pF; f _i = 1 MHz; see Fig.17; note 1	1.65	135	MHz
			2.3	145	MHz
			3	150	MHz
			4.5	155	MHz
		R _L = 50 Ω; C _L = 5 pF; f _i = 1 MHz; see Fig.17; note 1	1.65	>500	MHz
			2.3	>500	MHz
			3	>500	MHz
			4.5	>500	MHz
α _{OFF(ft)}	switch OFF signal feed-through attenuation	R _L = 600 Ω; C _L = 50 pF; f _i = 1 MHz; see Fig.19; note 2	1.65	-46	dB
			2.3	-46	dB
			3	-46	dB
			4.5	-46	dB
		R _L = 0 Ω; C _L = 50 pF; f _i = 1 MHz; see Fig.19; note 2	1.65	-37	dB
			2.3	-37	dB
			3	-37	dB
			4.5	-37	dB
V _{ct}	crosstalk (control input to signal output)	R _L = 600 Ω; C _L = 50 pF; f _i = 1 MHz; t _r = t _f = 2 ns; see Fig.20	1.65	69	mV
			2.3	87	mV
			3	156	mV
			4.5	302	mV
f _{max}	frequency response (-3 dB)	R _L = 50 Ω; C _L = 10 pF; see Fig.17; note 1	1.65	200	MHz
			2.3	350	MHz
			3	410	MHz
			4.5	440	MHz
C _{PD}	power dissipation capacitance	C _L = 50 pF; f _i = 10 MHz	2.5	9.8	pF
			3.3	12.0	pF
			5.0	17.3	pF
Q	charge injection	C _L = 0.1 nF; V _{gen} = 0 V; R _{gen} = 0 Ω; f _i = 1 MHz; R _L = 1 MΩ; see Fig.21; note 3	1.65 to 5.5	0.05	pC

Bilateral switch

74LVC1G66

Notes

1. Adjust f_i voltage to obtain 0 dBm level at output. Increase f_i frequency until dB meter reads -3 dB.
2. Adjust f_i voltage to obtain 0 dBm level at input.
3. Guaranteed by design.

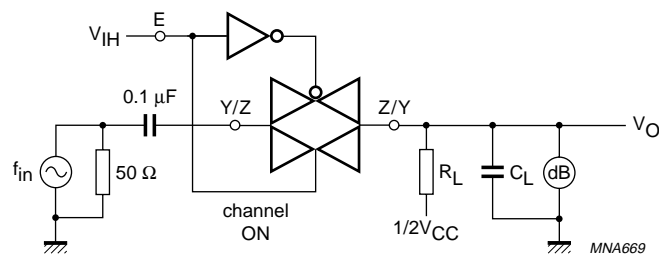
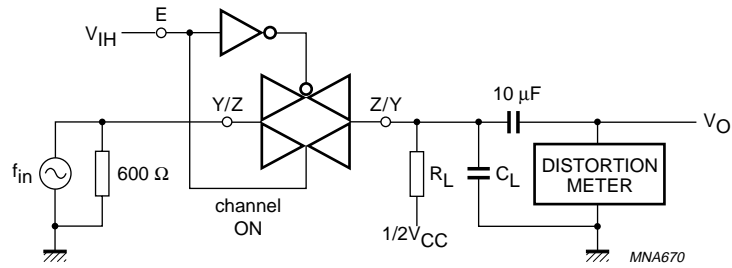


Fig.17 Test circuit for measuring the frequency response when switch is ON.

Bilateral switch

74LVC1G66



V _{CC}	V _I
1.65 V	1.4 V (p-p)
2.3 V	2 V (p-p)
3 V	2.5 V (p-p)
4 V	4 V (p-p)

Fig.18 Test circuit for measuring sine-wave distortion.

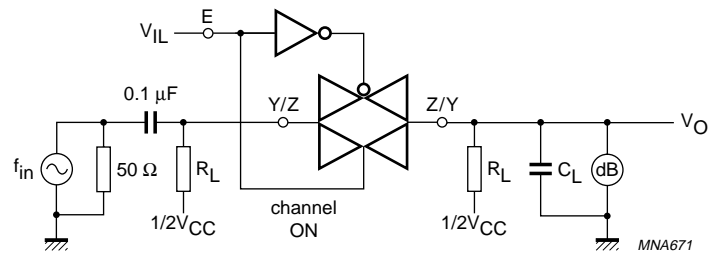


Fig.19 Test circuit for measuring feed-through when switch is OFF.

Bilateral switch

74LVC1G66

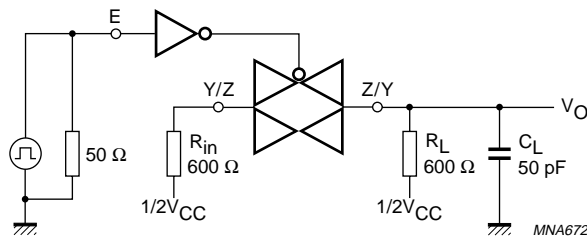
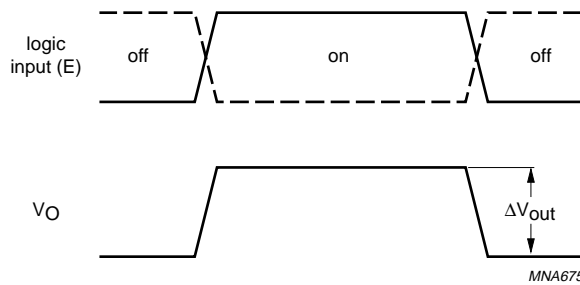
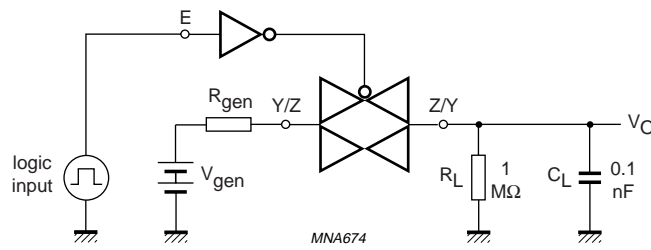


Fig.20 Crosstalk.



$$Q = (\Delta V_{out}) \times (C_L)$$

Fig.21 Charge injection test.

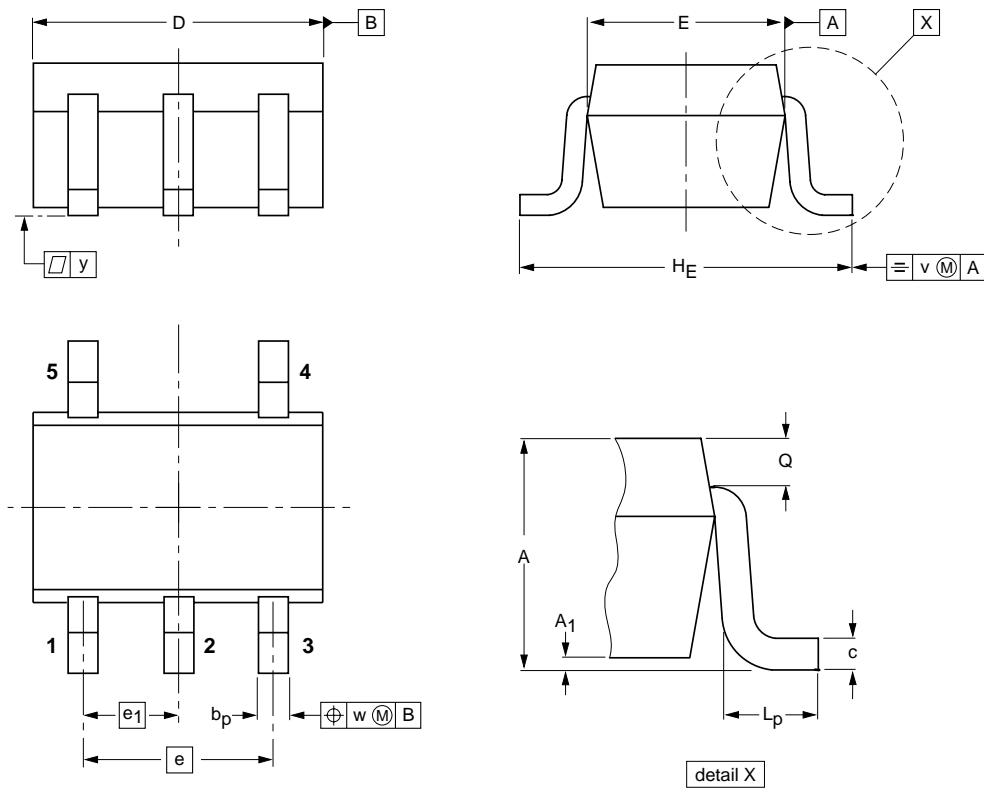
Bilateral switch

74LVC1G66

PACKAGE OUTLINES

Plastic surface mounted package; 5 leads

SOT353



DIMENSIONS (mm are the original dimensions)

UNIT	A	A ₁ max	b _p	c	D	E ⁽²⁾	e	e ₁	H _E	L _p	Q	v	w	y
mm	1.1 0.8	0.1	0.30 0.20	0.25 0.10	2.2 1.8	1.35 1.15	1.3	0.65	2.2 2.0	0.45 0.15	0.25 0.15	0.2	0.2	0.1

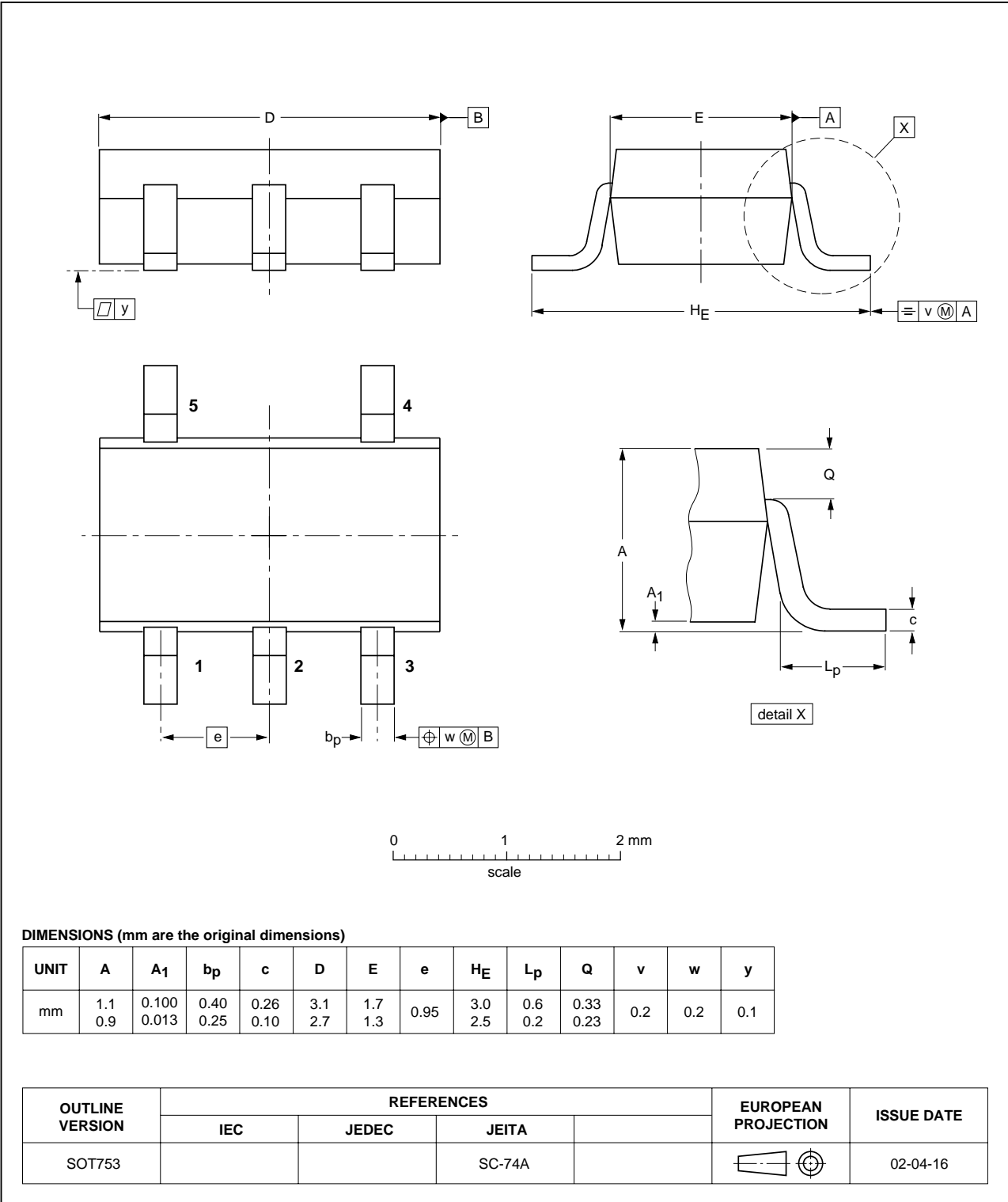
OUTLINE VERSION	REFERENCES				EUROPEAN PROJECTION	ISSUE DATE
	IEC	JEDEC	EIAJ			
SOT353			SC-88A			97-02-28

Bilateral switch

74LVC1G66

Plastic surface mounted package; 5 leads

SOT753



Bilateral switch

74LVC1G66

DATA SHEET STATUS

LEVEL	DATA SHEET STATUS ⁽¹⁾	PRODUCT STATUS ⁽²⁾⁽³⁾	DEFINITION
I	Objective data	Development	This data sheet contains data from the objective specification for product development. Philips Semiconductors reserves the right to change the specification in any manner without notice.
II	Preliminary data	Qualification	This data sheet contains data from the preliminary specification. Supplementary data will be published at a later date. Philips Semiconductors reserves the right to change the specification without notice, in order to improve the design and supply the best possible product.
III	Product data	Production	This data sheet contains data from the product specification. Philips Semiconductors reserves the right to make changes at any time in order to improve the design, manufacturing and supply. Relevant changes will be communicated via a Customer Product/Process Change Notification (CPCN).

Notes

1. Please consult the most recently issued data sheet before initiating or completing a design.
2. The product status of the device(s) described in this data sheet may have changed since this data sheet was published. The latest information is available on the Internet at URL <http://www.semiconductors.philips.com>.
3. For data sheets describing multiple type numbers, the highest-level product status determines the data sheet status.

DEFINITIONS

Short-form specification — The data in a short-form specification is extracted from a full data sheet with the same type number and title. For detailed information see the relevant data sheet or data handbook.

Limiting values definition — Limiting values given are in accordance with the Absolute Maximum Rating System (IEC 60134). Stress above one or more of the limiting values may cause permanent damage to the device. These are stress ratings only and operation of the device at these or at any other conditions above those given in the Characteristics sections of the specification is not implied. Exposure to limiting values for extended periods may affect device reliability.

Application information — Applications that are described herein for any of these products are for illustrative purposes only. Philips Semiconductors make no representation or warranty that such applications will be suitable for the specified use without further testing or modification.

DISCLAIMERS

Life support applications — These products are not designed for use in life support appliances, devices, or systems where malfunction of these products can reasonably be expected to result in personal injury. Philips Semiconductors customers using or selling these products for use in such applications do so at their own risk and agree to fully indemnify Philips Semiconductors for any damages resulting from such application.

Right to make changes — Philips Semiconductors reserves the right to make changes in the products - including circuits, standard cells, and/or software - described or contained herein in order to improve design and/or performance. When the product is in full production (status 'Production'), relevant changes will be communicated via a Customer Product/Process Change Notification (CPCN). Philips Semiconductors assumes no responsibility or liability for the use of any of these products, conveys no licence or title under any patent, copyright, or mask work right to these products, and makes no representations or warranties that these products are free from patent, copyright, or mask work right infringement, unless otherwise specified.

Philips Semiconductors – a worldwide company

Contact information

For additional information please visit <http://www.semiconductors.philips.com>. Fax: +31 40 27 24825

For sales offices addresses send e-mail to: sales.addresses@www.semiconductors.philips.com.

© Koninklijke Philips Electronics N.V. 2004

SCA76

All rights are reserved. Reproduction in whole or in part is prohibited without the prior written consent of the copyright owner.

The information presented in this document does not form part of any quotation or contract, is believed to be accurate and reliable and may be changed without notice. No liability will be accepted by the publisher for any consequence of its use. Publication thereof does not convey nor imply any license under patent- or other industrial or intellectual property rights.

Printed in The Netherlands

R20/04/pp22

Date of release: 2004 Apr 13

Document order number: 9397 750 13018

Let's make things better.

**Philips
Semiconductors**



PHILIPS