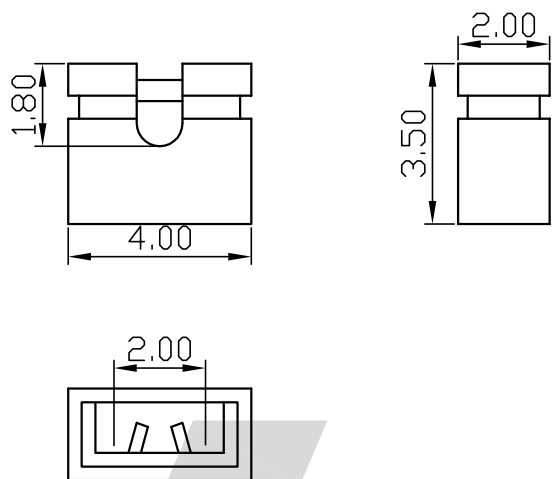
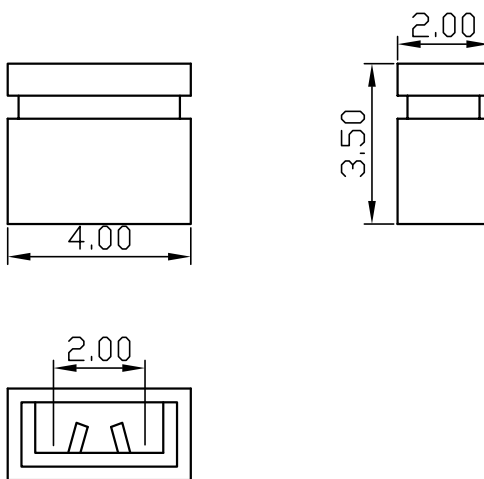


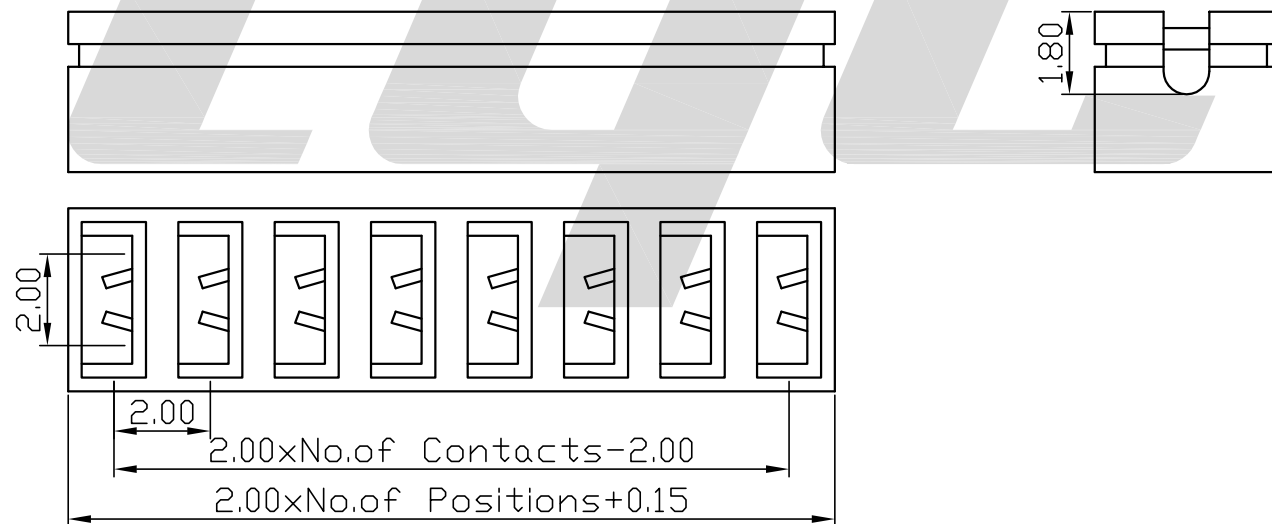
开口型



闭口型



多连体



SPECIFICATIONS

Current Rating: 1.5AMP
 Contact Resistance: 20mΩ Max
 Insulation Resistance: 1000MΩ Min
 Withstand Voltage: 500V AC/minute
 Operation Temperature: -40℃ to +105℃
 Contact Material: PHosphor bronze
 Contact Plating: Au or Sn over 50 μ "Ni
 Insulator Material: Polyester(UL94V-0)
 Standard: PBT



Ordering Code

① XX ② 2 ③ X ④ XX ⑤ X ⑥ X ⑦ X

- ① Connector Type:
11=Mini Jumper
21=Parallel Type
31=With Tail
- ② Pitch: 2=2.00mm
- ③ Plastics Height:
3=3.5mm
4=4.5mm
5=5.0mm
- ④ Number of Contacts:
01=Single Type
04=(1x4)Parallel Type
10=(1x10)Parallel Type
20=(1x20)Parallel Type
- ⑤ Function:
C=Close Type
O=Open Type
- ⑥ Contact Plated
0=Tin 1=Gold Flash
2=Gold 3u" 3=Gold 5u"
4=Gold 10u" 5=Gold 15u"
6=Gold 30u"
- ⑦ Color:
B=Black U=Blue
R=Red W=white
Y=Yellow G=Grey

E				Units	mm	Scale	10:1	Drawing By	Date				
D				Tolerance Unless Otherwise Specified				Check By	Date	Date	2007/12/14	Title	2.00短路帽
C				.X ~ ±0.30				Sheet	1 of 1				
B				.XX ~ ±0.25				Approval By	Date	Thirt Angle Projection			
A			RELEASED		14/12-07					Drawing No.	LY-DLM201-2-021	REV	A
REV	ZONE	LTR	DESCRIPTION.	ECN.NO.	Date	Angle ~ ± 3°				File Path			