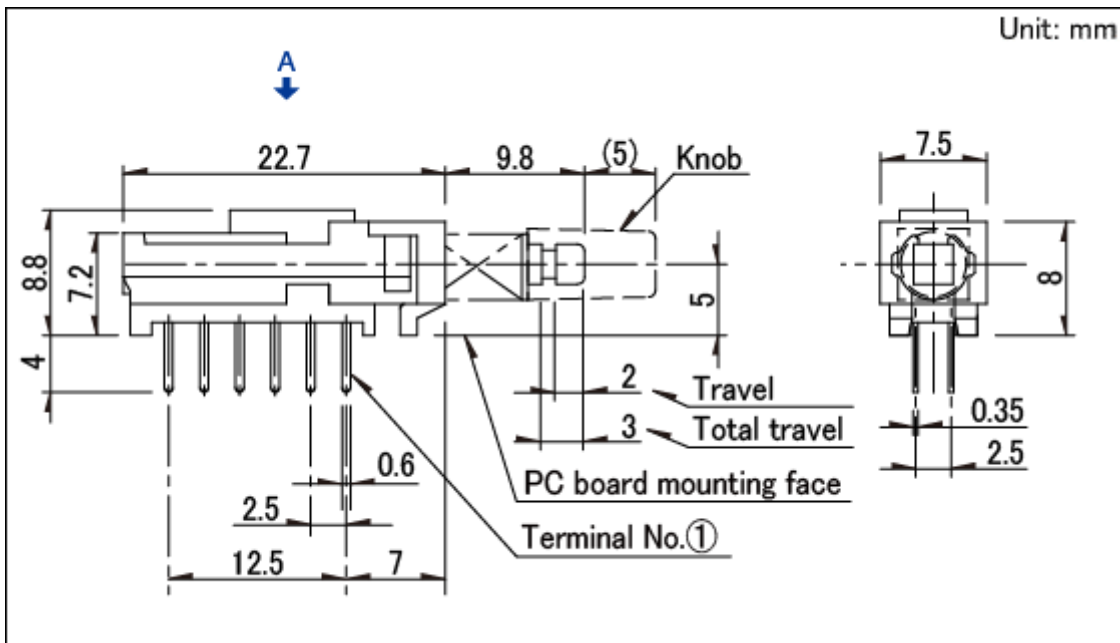




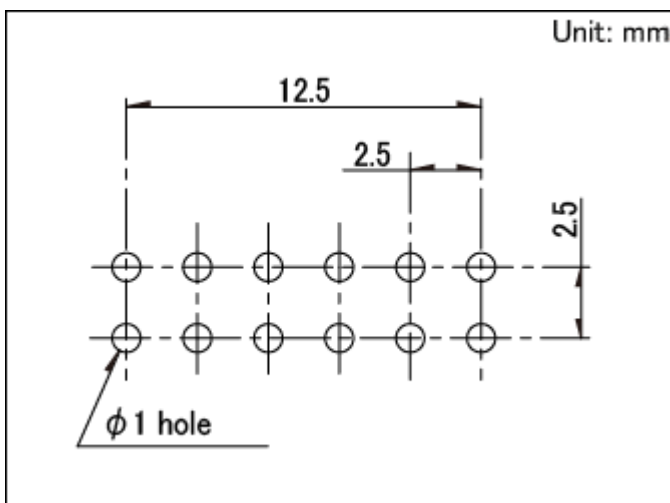
2.0mm-travel Horizontal Type SPUJ Series

Changeover timing	Non shorting		
Travel	2mm		
Total travel	3mm		
Operating force	2.3±1N		
Mounting method	PC board		
Poles	4		
Operation	Momentary		
Terminal type	Straight		
Operating temperature range	-10°C to +60°C		
Rating (max.)/(min.) (Resistive load)	0.1A 30V DC/50μA 3V DC		
Electrical performance	Contact resistance (Initial performance/After lifetime)	20mΩ max./40mΩ max.	
	Insulation resistance	100MΩ min. 500V DC	
	Voltage proof	500V AC for 1 minute	
Mechanical performance	Terminal strength	5N for 1 minute	
	Actuator strength	Operating direction	50N
		Pulling direction	50N
Durability	Operating life without load	10,000 cycles 40mΩ max.	
	Operating life with load (at max. rated load)	10,000 cycles 40mΩ max.	
Environmental performance	Cold	-20°C 96h	
	Dry heat	85°C 96h	
	Damp heat	40°C, 90 to 95%RH 96h	
Minimum order unit (pcs.)	Japan	400	

Dimensions

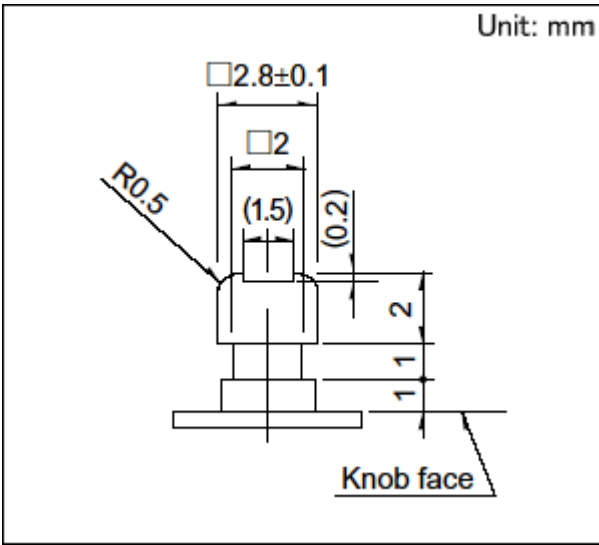


Mounting Hole Dimensions

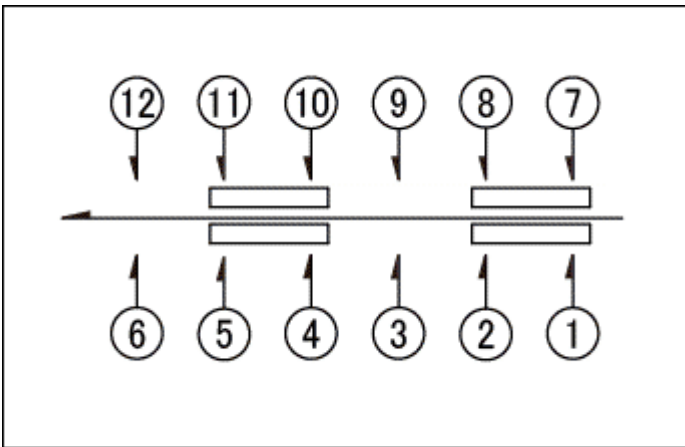


Viewed from direction A in the dimensions.

Actuator Configuration at Front Edge



Circuit Diagram



Packing Specifications

Bulk

Number of packages (pcs.)	1 case / Japan	400
	1 case / export packing	2,000
Export package measurements (mm)	400×270×290	

Soldering Conditions

Reference for Dip Soldering

Items	Preheating temperature	-
	Preheating time	-
Dip soldering	Soldering temperature	260±5°C
	Duration of immersion	5±1s

Reference for Hand Soldering

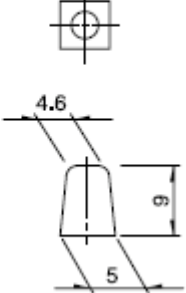
Soldering temperature

300±5°C

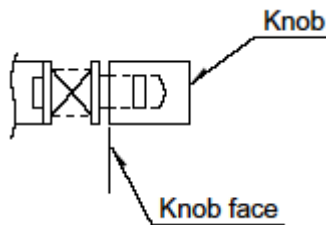
Soldering time

3+1/0s

Products Line of Knob

Knob outline drawing (Unit :mm)	Color	Model
	Black	UJ206022

We recommend the use of adhesive to secure the knob when mounting onto switches.



Notes are common to this series/models.

1. This site catalog shows only outline specifications. When using the products, please obtain formal specifications for supply.
2. Please place purchase orders per minimum order unit (integer).
3. Products other than those listed in the above chart are also available. Please contact us for details.