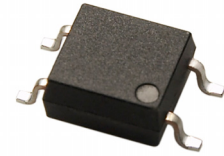


4 PIN ULTRA SMALL SOP PHOTOTRANSISTOR PHOTOCOUPLER

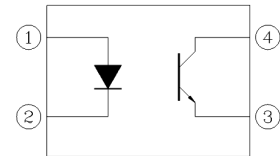
EL357N-G Series

Features:

- Halogens free
- Current transfer ratio
(CTR: 50~600% at $I_F = 5\text{mA}$, $V_{CE} = 5\text{V}$)
- High isolation voltage between input and output ($V_{iso} = 3750\text{ V rms}$)
- Compact 4 Pin SOP with a 2.0 mm profile
- Pb free and RoHS compliant.
- UL approved (No. E214129)
- VDE approved (No. 132249)
- SEMKO approved
- NEMKO approved
- DEMKO approved
- FIMKO approved
- CSA approved (No. 1408633)



Schematic



Description

The EL357N-G series contains an infrared emitting diode, optically coupled to a phototransistor detector. The devices in a 4-pin small outline SMD package.

Pin Configuration

1. Anode
2. Cathode
3. Emitter
4. Collector

Applications

- DC-DC Converters
- Programmable controllers
- Telecommunication equipments
- Signal transmission between circuits of different potentials and impedances



LIGHTING FOREVER

4 PIN ULTRA SMALL SOP PHOTOTRANSISTOR PHOTOCOUPLER

EL357N-G Series

Absolute Maximum Ratings ($T_a=25^{\circ}\text{C}$)

Parameter		Symbol	Rating	Unit
Input	Forward current	I_F	50	mA
	Peak forward current (1us, pulse)	I_{FP}	1	A
	Reverse voltage	V_R	6	V
	Power dissipation Derating factor (about $T_a=100^{\circ}\text{C}$)	P_D	70	mW
	2.9		mW/ $^{\circ}\text{C}$	
Output	Power dissipation Derating factor (about $T_a=80^{\circ}\text{C}$)	P_C	150	mW
			3.7	mW/ $^{\circ}\text{C}$
	Collector current	I_C	50	mA
	Collector-Emitter voltage	V_{CEO}	80	V
	Emitter-Collector voltage	V_{ECO}	7	V
Total power dissipation		P_{TOT}	200	mW
Isolation voltage ^{*1}		V_{ISO}	3750	V rms
Operating temperature		T_{OPR}	-55 ~ +110	$^{\circ}\text{C}$
Storage temperature		T_{STG}	-55 ~ +125	$^{\circ}\text{C}$
Soldering temperature ^{*2}		T_{SOL}	260	$^{\circ}\text{C}$

Notes

*1 AC for 1 minute, R.H.= 40 ~ 60% R.H. In this test, pins 1 & 2 are shorted together, and pins 3 & 4 are shorted together.

*2 For 10 seconds.



LIGHTING FOREVER

4 PIN ULTRA SMALL SOP PHOTOTRANSISTOR PHOTOCOUPLER

EL357N-G Series

Electrical Characteristics ($T_a=25^\circ\text{C}$ unless specified otherwise)

Input

Parameter	Symbol	Min.	Typ.*	Max.	Unit	Condition
Forward voltage	V_F	-	1.2	1.4	V	$I_F = 20\text{mA}$
Reverse current	I_R	-	-	10	μA	$V_R = 4\text{V}$
Input capacitance	C_{in}	-	30	250	pF	$V = 0, f = 1\text{kHz}$

Output

Parameter	Symbol	Min.	Typ.*	Max.	Unit	Condition
Collector-Emitter dark current	I_{CEO}	-	-	100	nA	$V_{CE} = 20\text{V}, I_F = 0\text{mA}$
Collector-Emitter breakdown voltage	BV_{CEO}	80	-	-	V	$I_C = 0.1\text{mA}$
Emitter-Collector breakdown voltage	BV_{ECO}	7	-	-	V	$I_E = 0.01\text{mA}$

Transfer Characteristics ($T_a=25^\circ\text{C}$ unless specified otherwise)

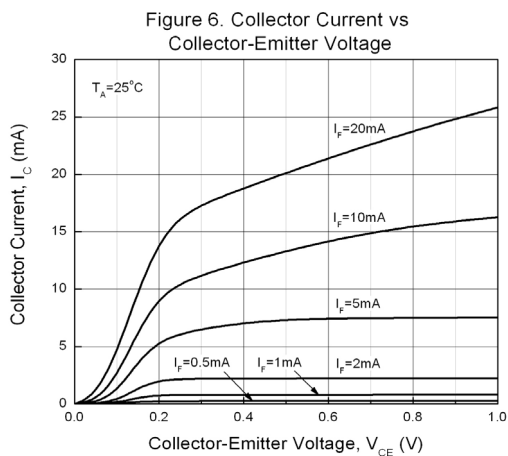
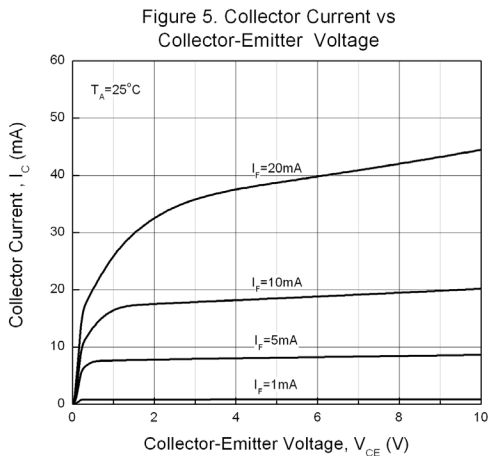
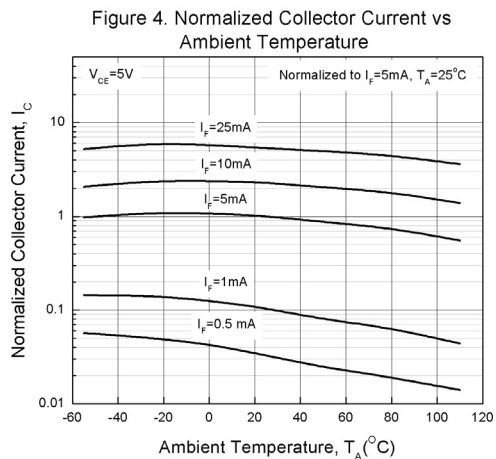
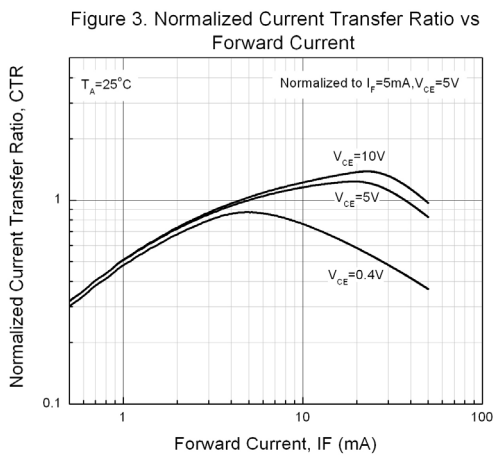
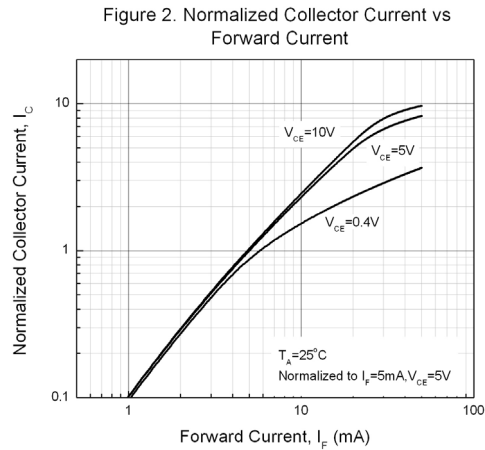
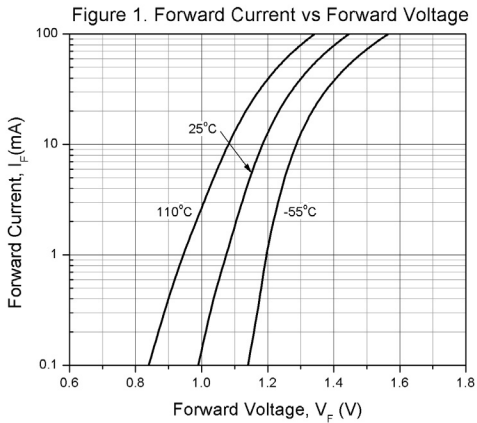
Parameter	Symbol	Min.	Typ.*	Max.	Unit	Condition
Current Transfer ratio	EL357N	50	-	600	%	$I_F = 5\text{mA}, V_{CE} = 5\text{V}$
	EL357NA	80	-	160		
	EL357NB	130	-	260		
	EL357NC	200	-	400		
	EL357ND	300	-	600		
	EL357NE	100	-	200		
	EL357NF	150	-	300		
Collector-Emitter saturation voltage	$V_{CE(sat)}$	-	0.1	0.2	V	$I_F = 20\text{mA}, I_C = 1\text{mA}$
Isolation resistance	R_{IO}	5×10^{10}	-	-	Ω	$V_{IO} = 500\text{Vdc}, 40\sim 60\% \text{ R.H.}$
Floating capacitance	C_{IO}	-	0.6	1.0	pF	$V_{IO} = 0, f = 1\text{MHz}$
Cut-off frequency	f_c	-	80	-	kHz	$V_{CE} = 5\text{V}, I_C = 2\text{mA}$ $R_L = 100\Omega, -3\text{dB}$
Rise time	t_r	-	3	18	μs	$V_{CE} = 2\text{V}, I_C = 2\text{mA}, R_L = 100\Omega$
Fall time	t_f	-	4	18	μs	

* Typical values at $T_a = 25^\circ\text{C}$

4 PIN ULTRA SMALL SOP PHOTOTRANSISTOR PHOTOCOUPLER

EL357N-G Series

Typical Performance Curves



4 PIN ULTRA SMALL SOP PHOTOTRANSISTOR PHOTOCOUPLER

EL357N-G Series

Figure 7. Collector Dark Current vs Ambient Temperature

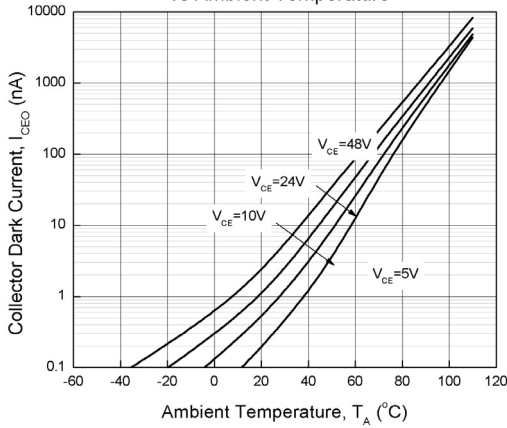


Figure 8. Switching Time vs Load Resistance

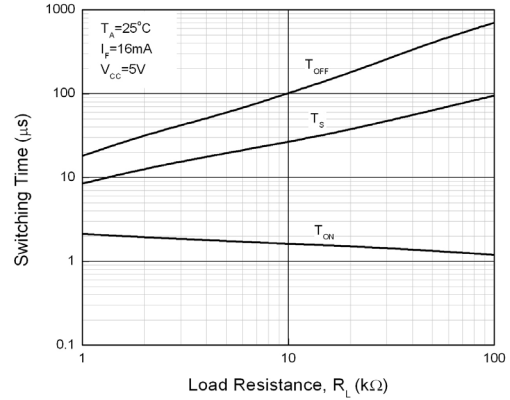


Figure 9. Collector-Emitter Saturation Voltage vs Ambient Temperature

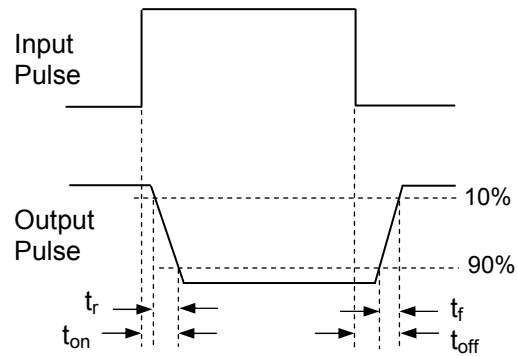
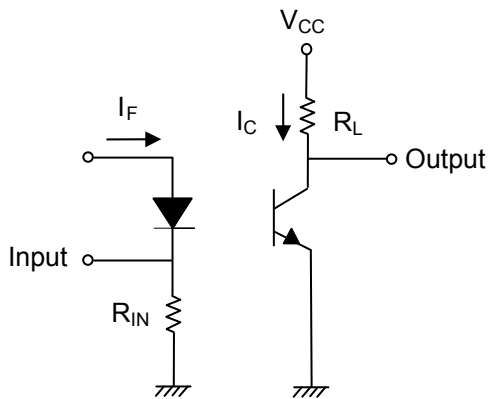
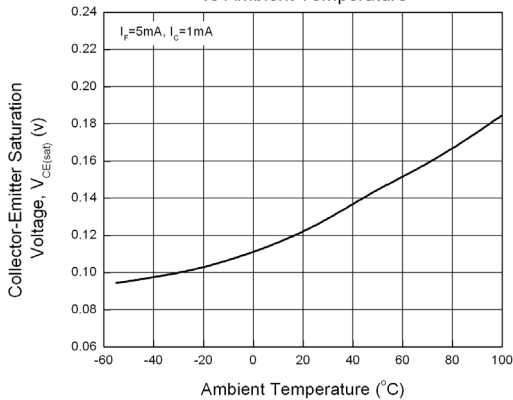


Figure 10. Switching Time Test Circuit & Waveforms



LIGHTING FOREVER

4 PIN ULTRA SMALL SOP PHOTOTRANSISTOR PHOTOCOUPLER

EL357N-G Series

Order Information

Part Number

EL357NX(Y)-VG

Note

357N = Part No.

X = CTR Rank (A, B, C, D, E, For none)

Y = Tape and reel option (TA, TB or none).

V = VDE (optional)

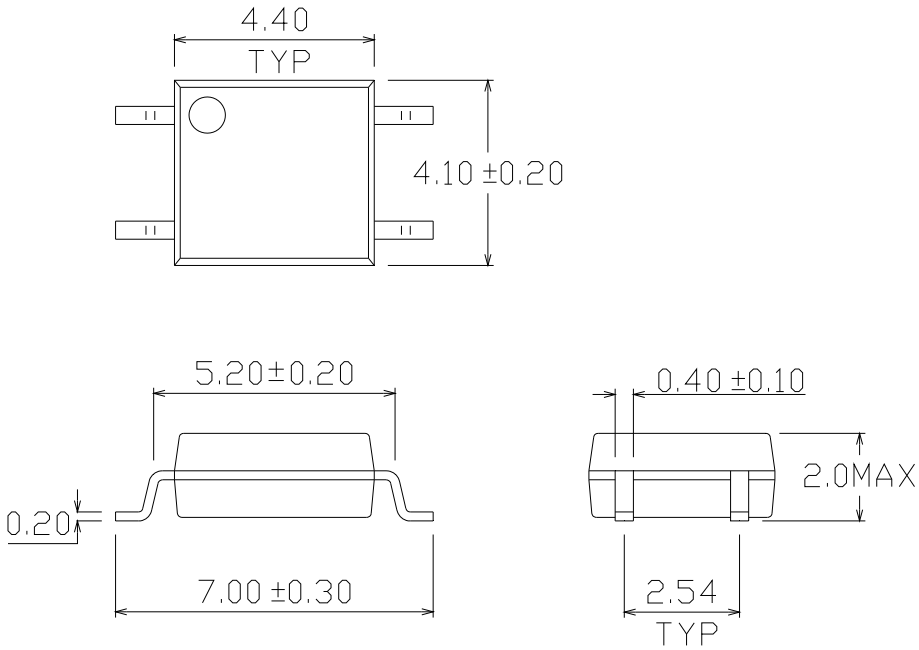
G = Halogen free

Option	Description	Packing quantity
None	Standard SMD option	100 units per tube
-V	Standard SMD option + VDE	100 units per tube
(TA)	TA Tape & reel option	3000 units per reel
(TB)	TB Tape & reel option	3000 units per reel
(TA)-V	TA Tape & reel option + VDE	3000 units per reel
(TB)-V	TB Tape & reel option + VDE	3000 units per reel

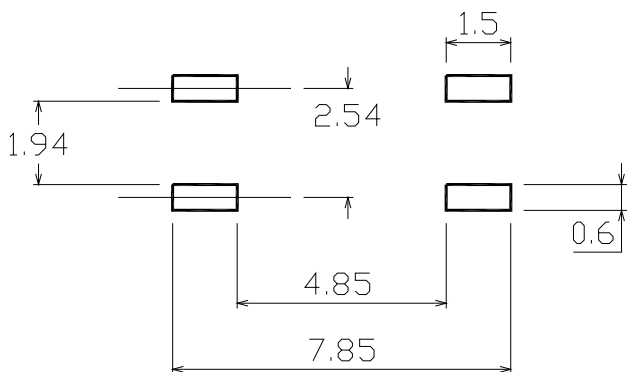
**4 PIN ULTRA SMALL SOP
PHOTOTRANSISTOR PHOTOCOUPLER**

EL357N-G Series

Package Drawing
(Dimensions in mm)



Recommended pad layout for surface mount leadform





LIGHTING FOREVER

4 PIN ULTRA SMALL SOP PHOTOTRANSISTOR PHOTOCOUPLER

EL357N-G Series

Device Marking



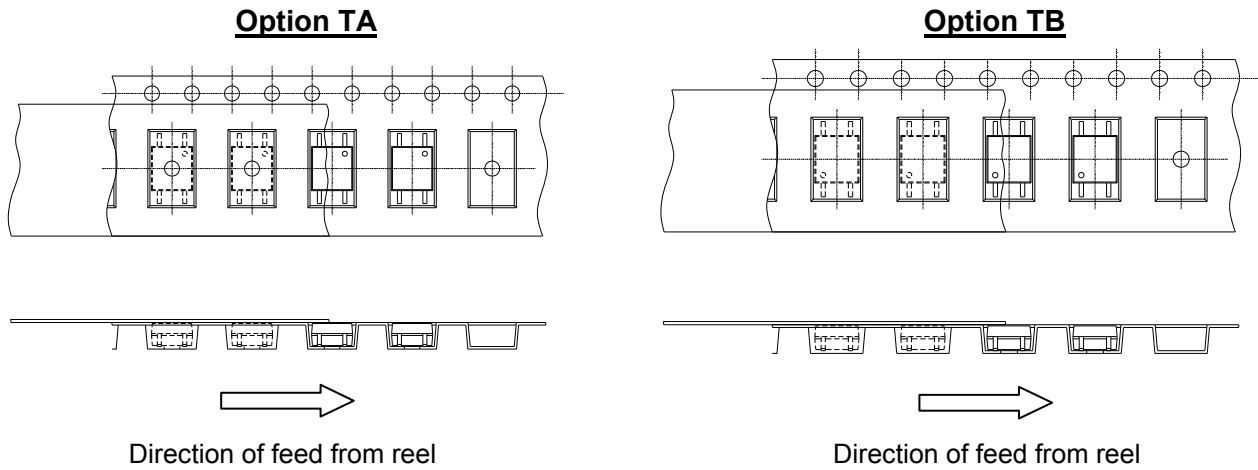
Notes

EL	denotes Everlight
357N	denotes Device Number
R	denotes CTR Rank (A, B, C, D, E, F or none)
Y	denotes 1 digit Year code
WW	denotes 2 digit Week code
V	denotes VDE (optional)

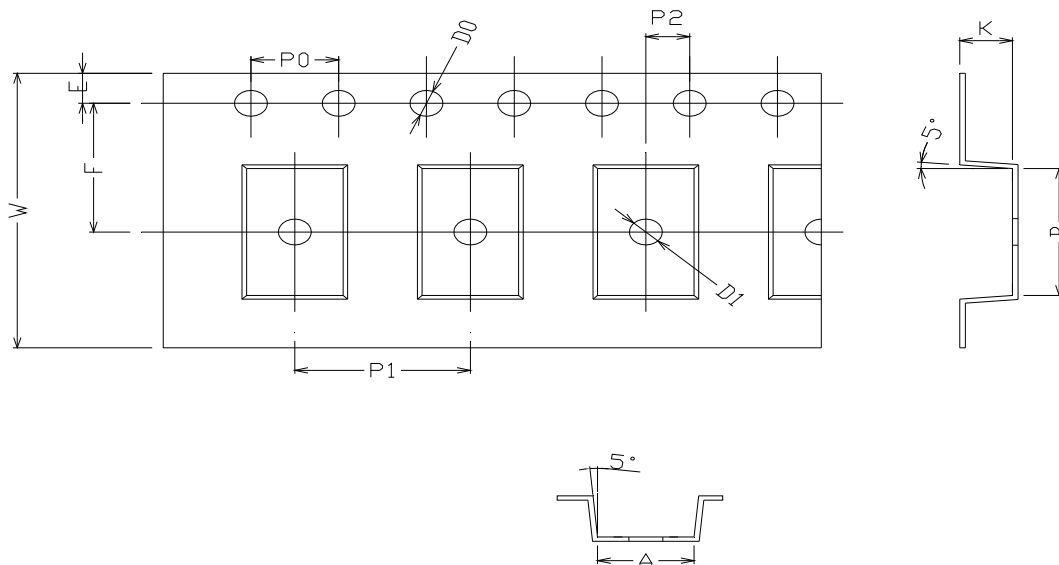
4 PIN ULTRA SMALL SOP PHOTOTRANSISTOR PHOTOCOUPLER

EL357N-G Series

Tape & Reel Packing Specifications



Tape dimensions

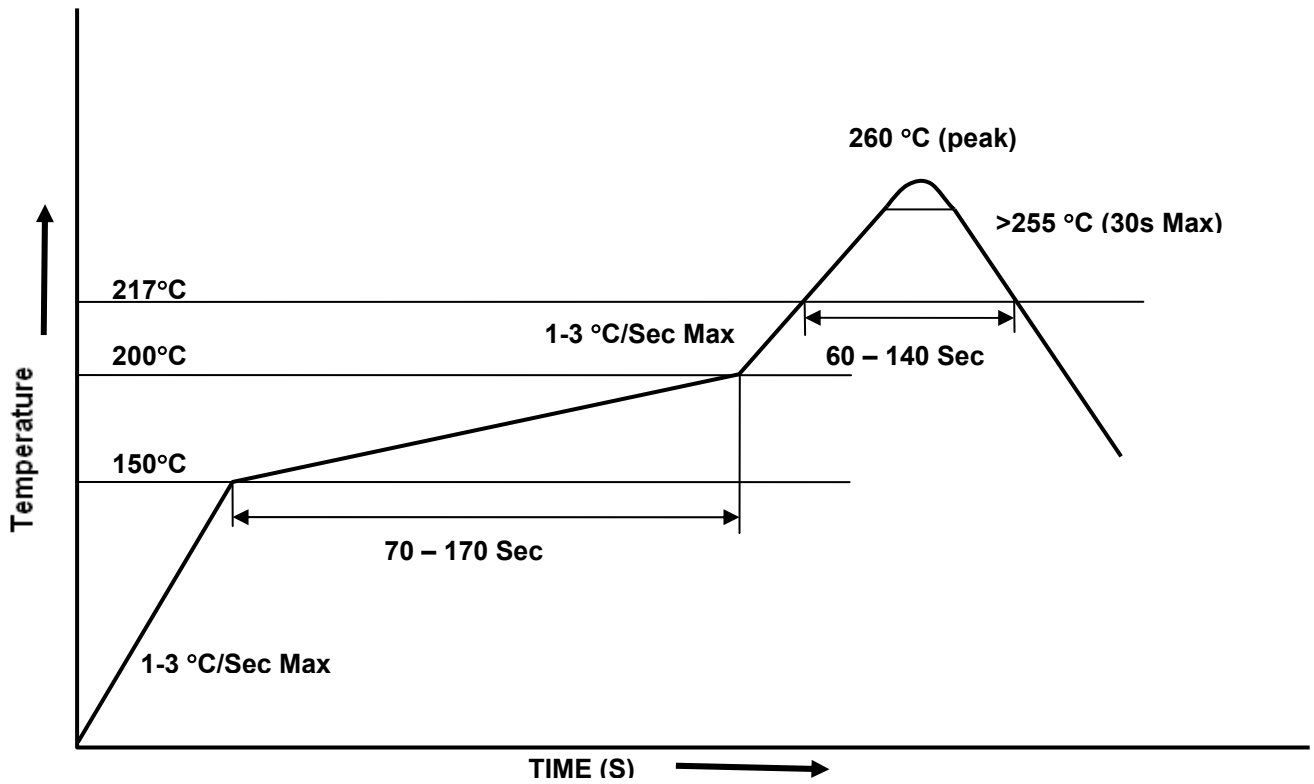


Dimension No.	A	B	Do	D1	E	F
Dimension (mm)	4.4 ± 0.1	7.4 ± 0.1	1.5 + 0.1/-0	1.5 ± 0.1	1.7 5± 0.1	7.5 ± 0.1
Dimension No.	Po	P1	P2	t	W	K
Dimension (mm)	4.0 ± 0.15	8.0 ± 0.1	2.0 ± 0.1	0.25 ± 0.03	16.0 ± 0.2	2.4 ± 0.1

4 PIN ULTRA SMALL SOP PHOTOTRANSISTOR PHOTOCOUPLER

EL357N-G Series

Solder Reflow Temperature Profile





LIGHTING FOREVER

4 PIN ULTRA SMALL SOP PHOTOTRANSISTOR PHOTOCOUPLER

EL357N-G Series

DISCLAIMER

1. The specifications in this datasheet may be changed without notice. EVERLIGHT reserves the authority on material change for above specification.
2. When using this product, please observe the absolute maximum ratings and the instructions for use as outlined in this datasheet. EVERLIGHT assumes no responsibility for any damage resulting from use of the product which does not comply with the absolute maximum ratings and the instructions included in this datasheet.
3. These specification sheets include materials protected under copyright of EVERLIGHT. Reproduction in any form is prohibited without the specific consent of EVERLIGHT.