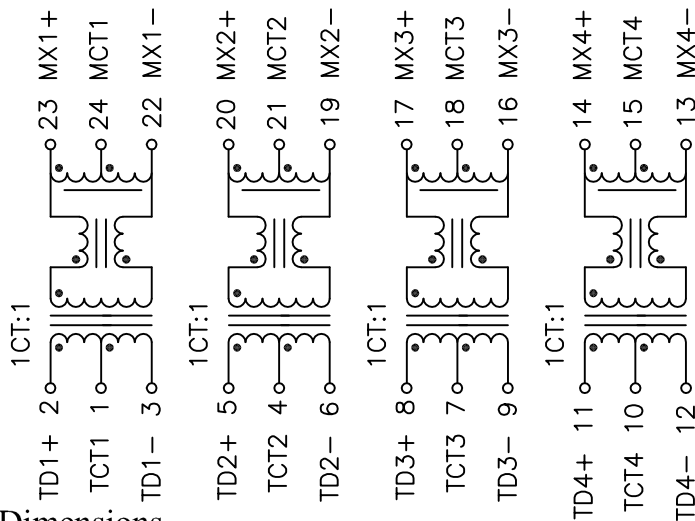


HY602401

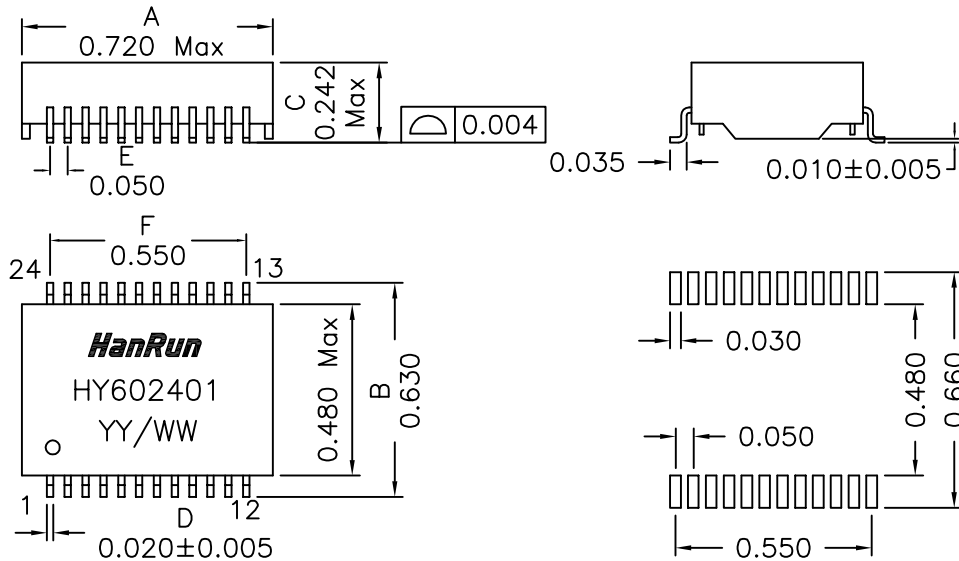
Electrical Specification @25°C

RoHS Compliant (PB Free)
 Operating Temperature Range: 0°C ~ +70°C
 Isolation: 1500Vrms 0.5mA 60sec (Primary to Secondary)
 OCL: 350uH Minimum @100KHz 100mV with 8mADC
 Insertion Loss: -1.0dB Maximum @1MHz ~ 100MHz
 Return Loss: -18dB Minimum @1MHz ~ 30MHz / -14.4dB Minimum @40MHz
 -12dB Minimum @60MHz ~ 80MHz / -10dB Minimum @100MHz
 Differential to Common Mode Rejection: -43dB Minimum @30MHz
 -37dB Minimum @60MHz / -33dB Minimum @100MHz
 Crosstalk: -40dB Minimum @100KHz ~ 60MHz / -35dB Minimum @60MHz ~ 100MHz

Schematics



Mechanical Dimensions



Dimensions in inches

Unless otherwise specified, Tolerance: .xxx ±0.010

REV.: B/2

(SUGGESTED PCB PAD LAYOUT)