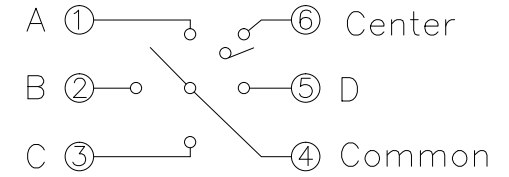
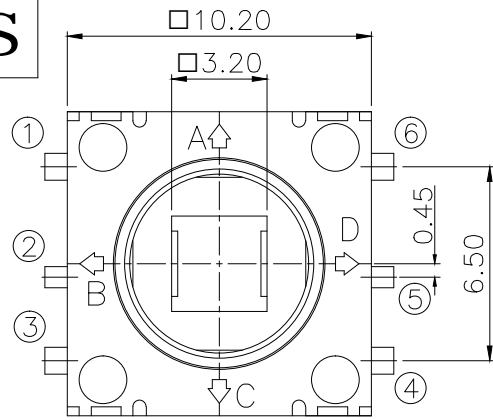
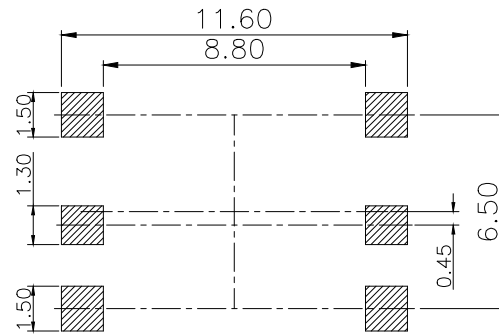
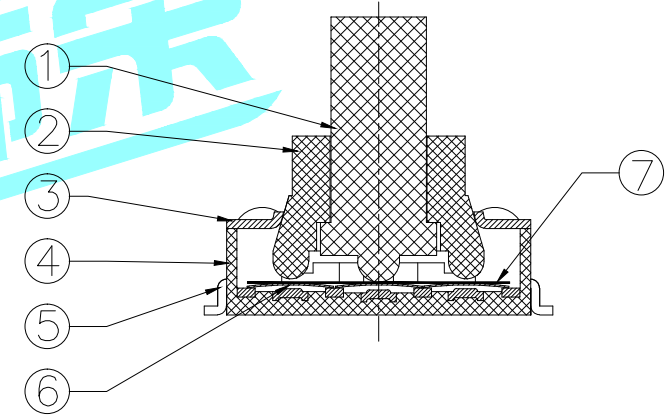
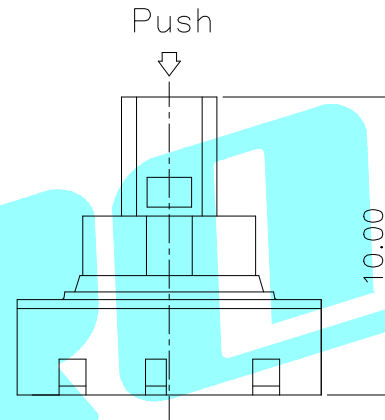
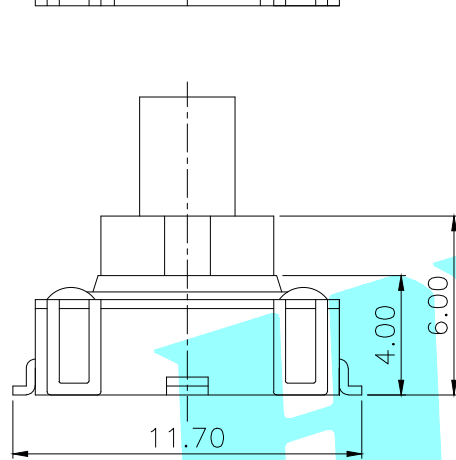


ROHS

<http://www.okhro.com>



Circuit Diagram



PCB Layout(Pattern Side)

NOTE:  
 Operating Force:  
 4-direction 160 ± 35 gf  
 center push 300 ± 35 gf  
 Travel:4-direction 5°±2°  
 center push 0.20±0.1mm

ITEM	PART NAME	TER'NO.	QTY.	MATERIAL	FINISHING	REMARK
⑦	Dust cover	—	1	Kapton film	Yellow	—
⑥	Contact	—	6	F.Ag/SUS	—	Circular
⑤	Terminal	—	8	Brass(0.3t)	Plating silver	—
④	Base	—	1	LCP	Black	—
③	Cover	—	1	SUS	Plating Sn	—
②	Axle sleeve	—	1	LCP	Off-white	—
①	Knob	—	1	LCP	Black	—

APPROVALS		DATE	HRO 韓榮 ELECTRONICS CO.,LTD			
DRAWN	J.X.Zhang	2013/8/1	TITLE:	MULTIFUNCTIONAL SWITCHES		
CHECKED			PART NO.	K1-1506SN-01		
APPROVALS			UNIT: mm	SCALE: 1:1	PROJ:	
TOLERANCES ARE	30~以上 ±0.30 10~30 ±0.20 5~10 ±0.15 ~ 5 ±0.10	ANGLE	±2'	DRAWING NO.		SHEET 1 OF 1

ECN NO.	REV.	DATE.	DESCRIPTION.	CHANGE.	CHECK.	APPRO.
	A		NEW			