

**HY682405**

**Electrical Specification @25°C**

RoHS Compliant (PB Free)

Operating Temperature Range: 0°C ~ +70°C

Isolation: 1500Vrms 0.5mA 60sec (Primary to Secondary)

Insertion Loss: -1.0dB Maximum @1MHz ~ 100MHz

Return Loss: -16dB Minimum @1MHz ~ 40MHz

-12dB Minimum @60MHz ~ 80MHz / -10dB Minimum @100MHz

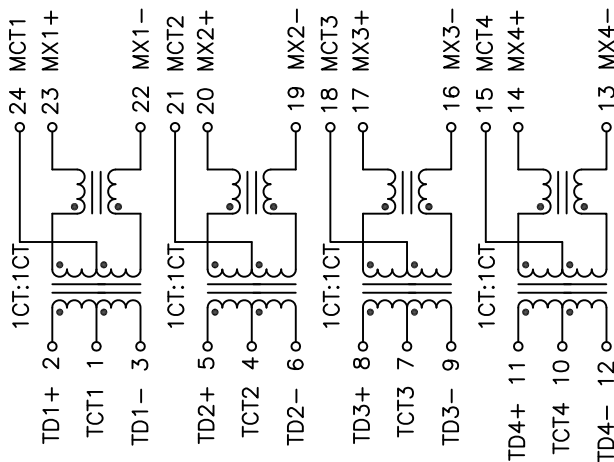
Differential to Common Mode Rejection: -43dB Minimum @30MHz

-37dB Minimum @60MHz / -33dB Minimum @100MHz

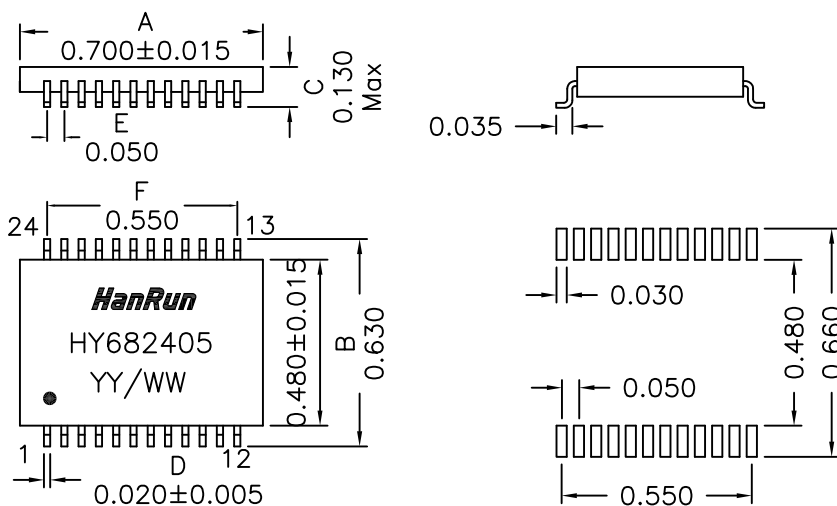
Crosstalk: -40dB Minimum @100KHz ~ 60MHz

-33dB Minimum @60MHz ~ 100MHz

**Schematics**



**Mechanical Dimensions**



Dimensions in inches

Unless otherwise specified, Tolerance: .xxx ±0.010

REV.: A/4

(SUGGESTED PCB PAD LAYOUT)