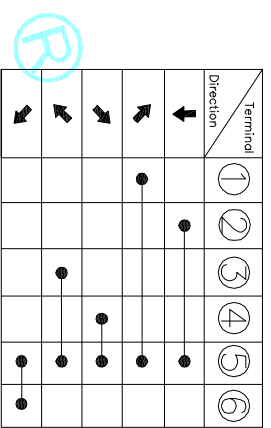
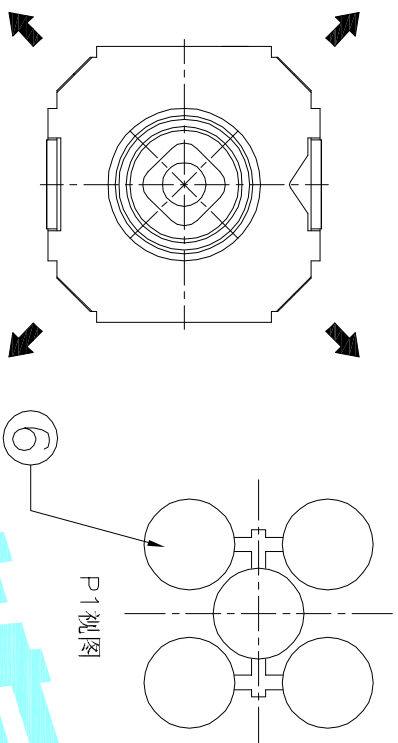


PCB Layout(Pattern Side)



Circuit Diagram

PART NO.	K1-5203UA-01	K1-5203UA-02

NOTE:
 Operating Force:
 lever portion: 170 ± 35 gf
 Push portion: 250gf, 350gf, 450gf

ITEM	PART NAME	TER'NO.	QTY.	MATERIAL	FINISHING	REMARK
⑦	Mylar	—	1	Natural	—	—
⑥	Contact 1	—	—	FAg/SUS	—	—
⑤	Terminal	—	6	Brass(Q.15t)	Plating silver	—
④	Base	—	1	LCP	Black	—
③	Cover	—	1	SUS	—	—
②	Axle sleeve	—	1	LCP	Black	—
①	Keystroke	—	1	PA46	Black	—

APPROVALS	DATE
DRAWN J.X.Zhang	2013/7/23

ECN NO.	REV.	DATE.	DESCRIPTION.	CHANGE.	CHECK.	APPRO.
—	A	—	NEW	—	—	—

APPROVALS	TOLERANCES ARE	ANGLE	UNIT:	SCALE:	PROJ:	SHEET
CHECKED	30~12.5 ±	±0.30	mm	1:1	—	1 of 1
APPROVALS	10~30 ±0.20	±0.15	—	—	—	—
	5~10 ±0.15	±2'	DRAWING NO.	—	—	—
	~5 ±0.10	—	—	—	—	—



ELECTRONICS CO.,LTD

MULTIFUNCTIONAL SWITCHS

PART NO. K1-5203UA-01

SCALE: 1:1

PROJ: —