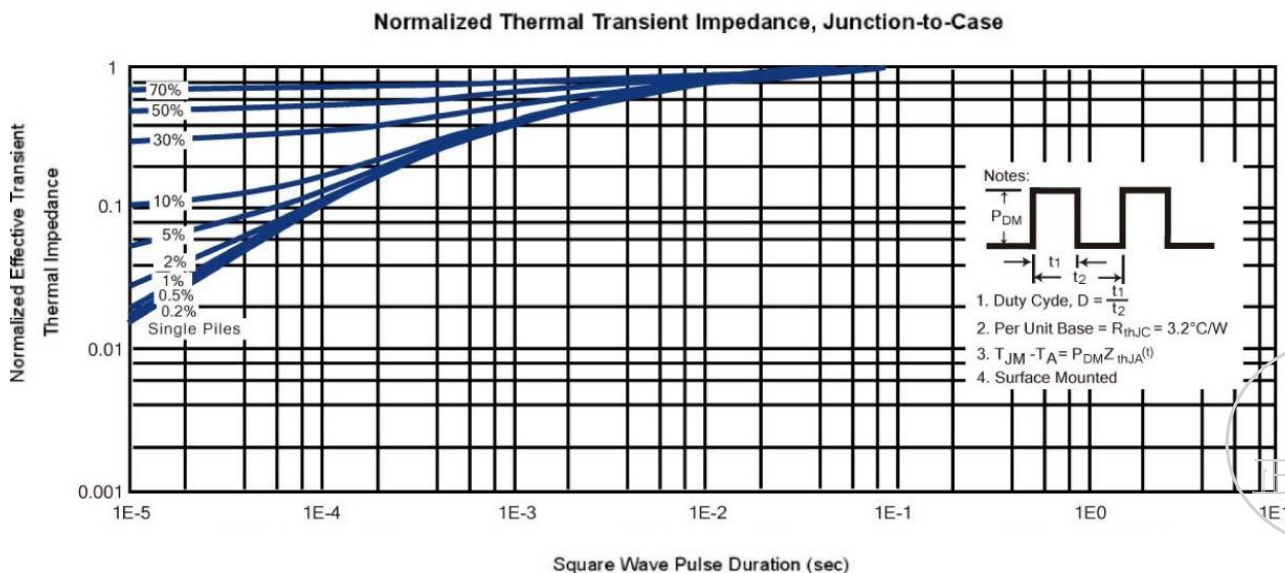
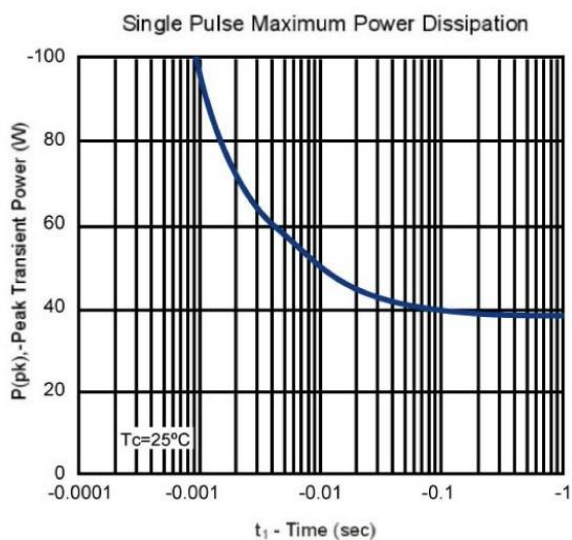
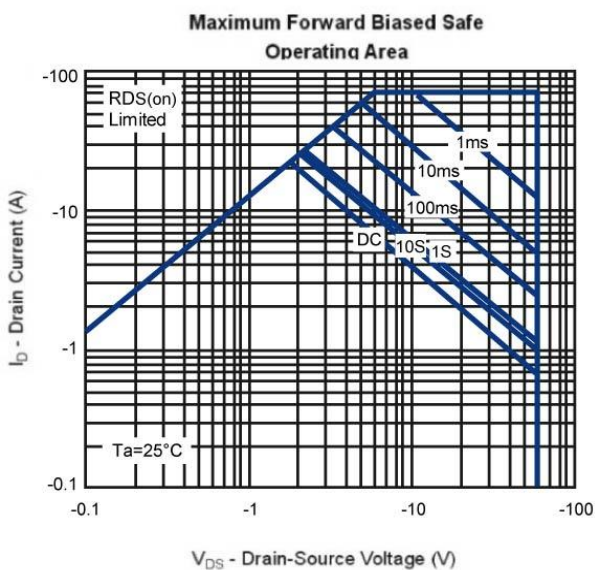
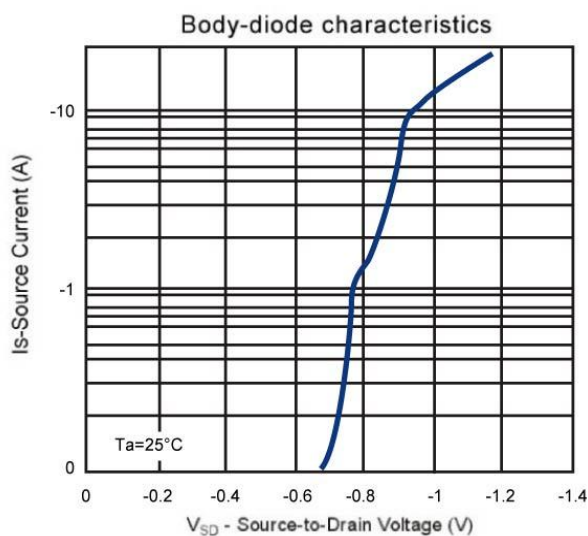
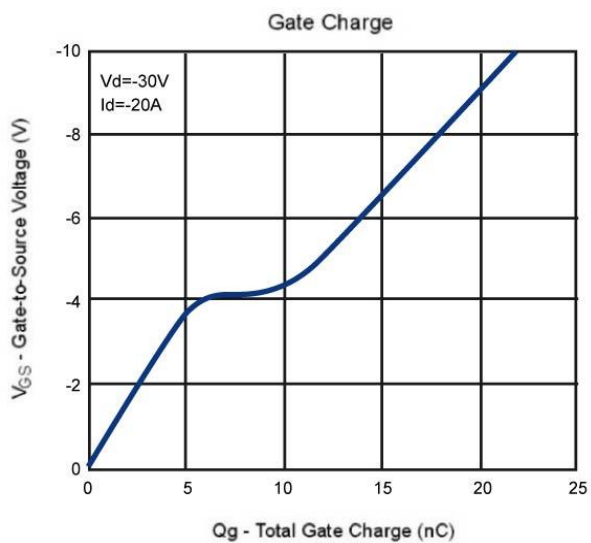






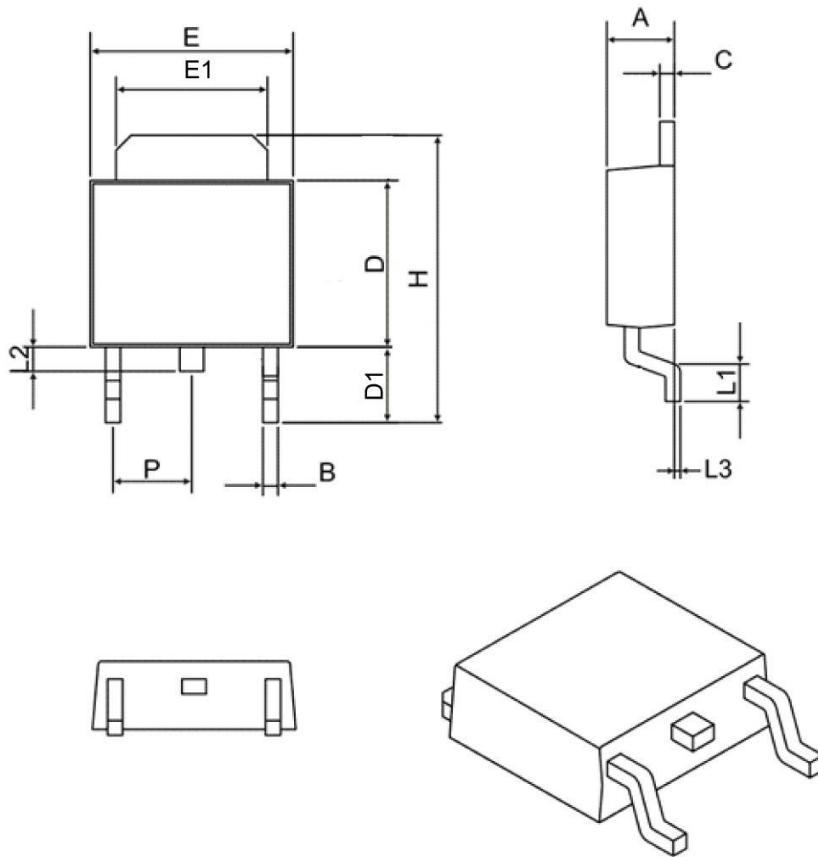


**P- Channel 60-V (D-S) MOSFET**  
**Typical Characteristics (T<sub>J</sub> = 25°C Noted)**



P- Channel 60-V (D-S) MOSFET

**TO252-3L Package Outline**



SYMBOL	MIN	MAX
A	2.10	2.50
B	0.40	0.90
C	0.40	0.90
D	5.30	6.30
D1	2.20	2.90
E	6.30	6.75
E1	4.80	5.50
L1	0.90	1.80
L2	0.50	1.10
L3	0.00	0.20
H	8.90	10.40
P	2.30 BSC	

DCC  
正式發行