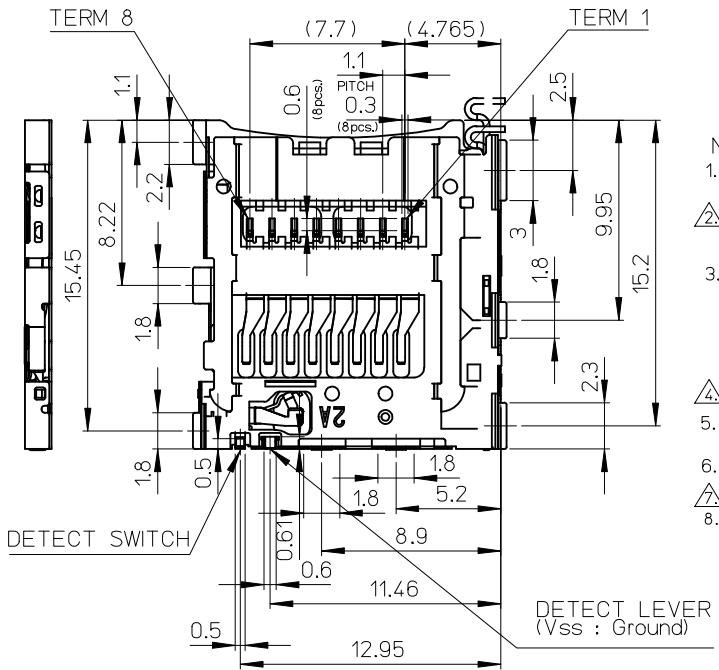
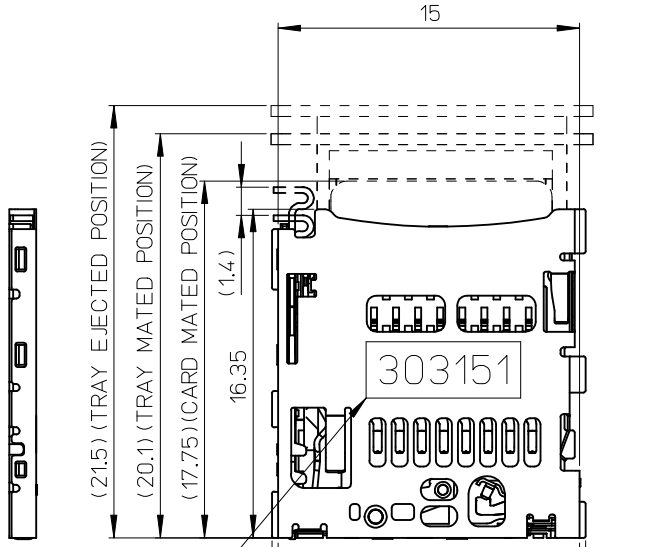
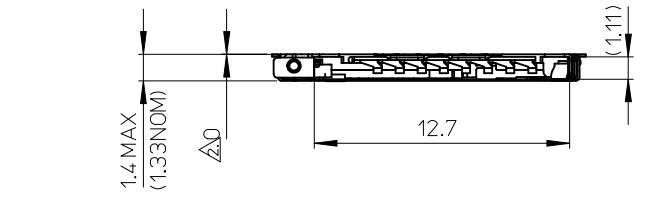


CONFIDENTIAL

No.	NAME	MATERIAL
①	HOUSING	LIQUID CRYSTAL POLYMER UL94V-0, BLACK
②	TERMINAL	COPPER ALLOY
③	SHELL	STAINLESS STEEL
④	EJECT LEVER	STAINLESS STEEL
⑤	EJECT BAR	STAINLESS STEEL
⑥	DETECT LEVER	COPPER ALLOY
⑦	DETECT SWITCH	COPPER ALLOY
⑧	HOOK	STAINLESS STEEL

PIN ASSIGNMENT	
TERM 1:	DATA2
TERM 2:	CD/DAT3
TERM 3:	CMD
TERM 4:	V _{dd}
TERM 5:	CLK
TERM 6:	V _{ss}
TERM 7:	DAT0
TERM 8:	DAT1



- NOTES :
1. TERMINAL AND NAIL COPLANARITY TO BE 0.08 MAXIMUM. (FROM GAUGE PLANE)
 - △ STAND OFF DIMENSION (STAND OFF DIMENSION IS INCLUDED IN THE CONNECTOR TOTAL HEIGHT)
 3. DETECT SWITCH FUNCTION

NO TRAY	OPEN
TRAY EJECTED POSITION	OPEN
TRAY MATED POSITION	CLOSE

- △ PATTERN KEEP OUT AREA DIMENSION
5. (DIMENSION) : REFERENCE VALUE (IT IS A NOT A MANAGEMENT DIMENSION)
6. ELV & R&HS COMPLIANT.
- △ GND RECOMMENDED PATTERN.
8. PLEASE MAKE TRAY BY USING A METALLIC MATERIAL NOT DEFORMED EASILY

504528-0892	8
EMBOSSED PACKAGE	極数
オーダー番号 ORDER NO.	CIRCUITS
CONNECTOR SERIES No. 504528-****	

3 03 15 1

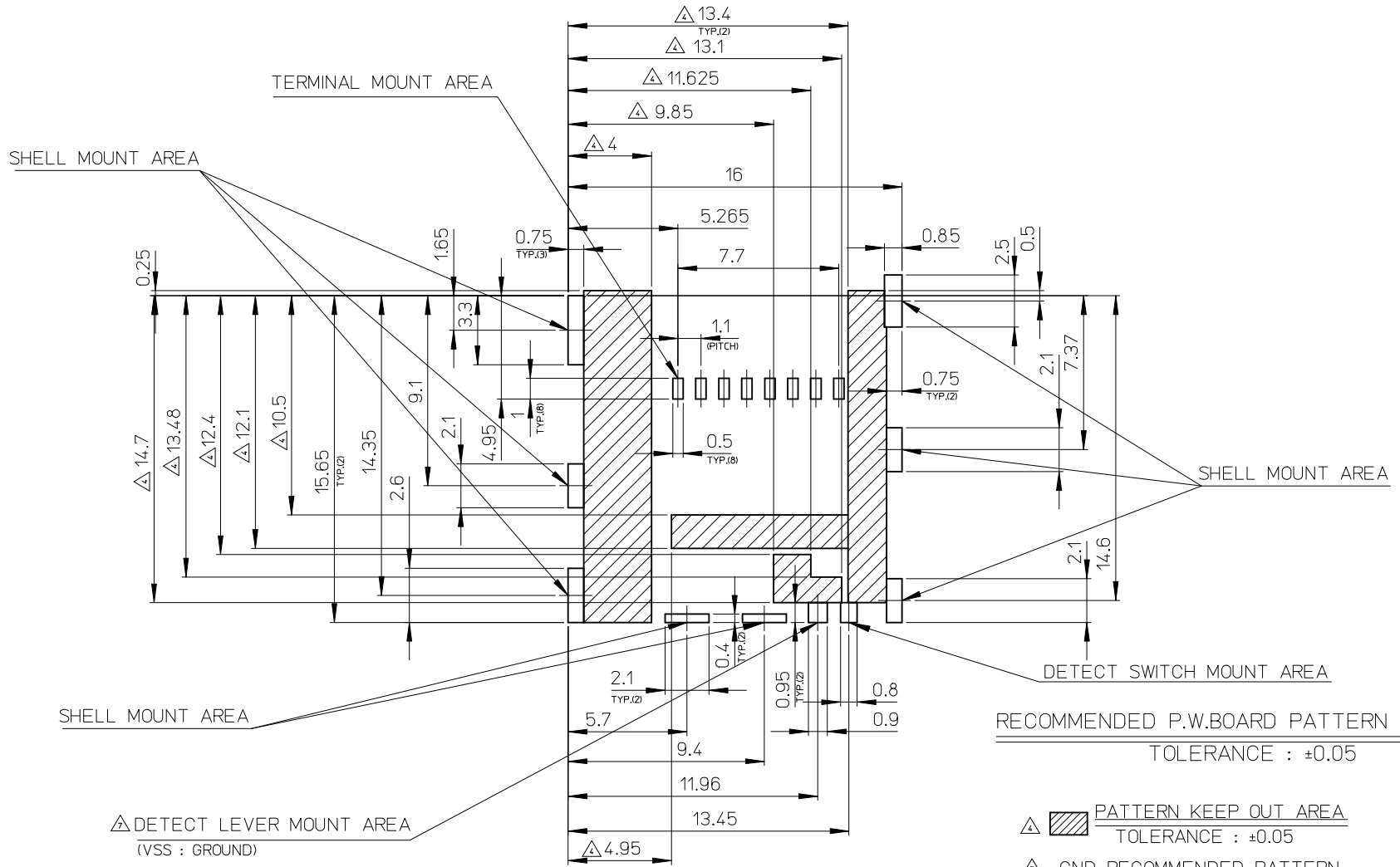
THE YEAR OF GRACE
2 : 2012#
3 : 2013# MONTH DAY
4 : 2014# 03 : 3# 15 : 15#

LINE No.
0 : JAPAN
1-9 : DALIAN

REFERENCE ONLY

There is a proposed drawing for concept, so the dimensions are subject to change without notice. Also, this model is tentative, and has the possibility of changing.

REVISED	GENERAL TOLERANCES (UNLESS SPECIFIED)		DIMENSION STYLE		SCALE	DESIGN UNITS	THIRD ANGLE PROJECTION
	0.25 UNDER	±0.03	MM ONLY		4:1	METRIC	
EC No.: J2017-0313	0.25 OVER	0.5 UNDER	±0.05	DRAWN BY	DATE	TITLE	MICRO SD CONN. BAR-PUSH TRAY TYPE ASSY molex
DRWN:YHONDA01 2016/12/09	0.5 OVER	1.0 UNDER	±0.1	YMATSUMOTO	2014/01/24		
CHKD:TASAKAWA 2016/12/14	1.0 OVER	10 UNDER	±0.2	CHECKED BY	DATE		
APPR:TKUJHARA01 2016/12/19	10 OVER	30 UNDER	±0.25	SAKIYAMA	2014/01/24		
DESCRIPTION	30 OVER		±0.3	APPROVED BY	DATE		
	ANGULAR	±1 °		NUKITA	2014/01/31		
	DRAFT WHERE APPLICABLE MUST REMAIN WITHIN DIMENSIONS			MATERIAL NO.		DOCUMENT NO.	SHEET NO.
A				SIZE	SEE CHART	SD-504528-003	1 OF 3
THIS DRAWING CONTAINS INFORMATION THAT IS PROPRIETARY TO MOLEX ELECTRONIC TECHNOLOGIES, LLC AND SHOULD NOT BE USED WITHOUT WRITTEN PERMISSION							



RECOMMENDED P.W.BOARD PATTERN LAYOUT
TOLERANCE : ±0.05

- PATTERN KEEP OUT AREA
TOLERANCE : ±0.05
- GND RECOMMENDED PATTERN.

REFERENCE ONLY
There is a proposed drawing for concept,
so the dimensions are subject to change without notice.
Also, this model is tentative, and has the possibility of changing.

REVISED	EC NO: J2017-0313	2016/12/09	GENERAL TOLERANCES (UNLESS SPECIFIED)		DIMENSION STYLE MM ONLY		SCALE 5:1	DESIGN UNITS METRIC	THIRD ANGLE PROJECTION		
	DRWN:YONDA01	2016/12/14	0.25 UNDER	±0.03	DRAWN BY	DATE	TITLE				
A	CHKD:TASAKAWA	2016/12/14	0.25 OVER	0.5 UNDER	±0.05	YMATSUMOTO	2014/01/24	MICRO SD CONN. BAR-PUSH TRAY TYPE ASSY			
	APPR:IKUSUHARA01	2016/12/19	0.5 OVER	1.0 UNDER	±0.1	CHECKED BY	DATE				
REV	DESCRIPTION		1.0 OVER	10 UNDER	±0.2	SAKIYAMA	2014/01/24	molex			
	ANGULAR		±1 °	30 OVER	±0.25	APPROVED BY	DATE				
DRAFT WHERE APPLICABLE MUST REMAIN WITHIN DIMENSIONS			SEE SHEET 1 OF 3		MATERIAL NO.		DOCUMENT NO.		SHEET NO.		
			SIZE A3		THIS DRAWING CONTAINS INFORMATION THAT IS PROPRIETARY TO MOLEX ELECTRONIC TECHNOLOGIES, LLC AND SHOULD NOT BE USED WITHOUT WRITTEN PERMISSION						

10 9 8 7 6 5 4 3 2 1

F

E

D

C

B

A

F

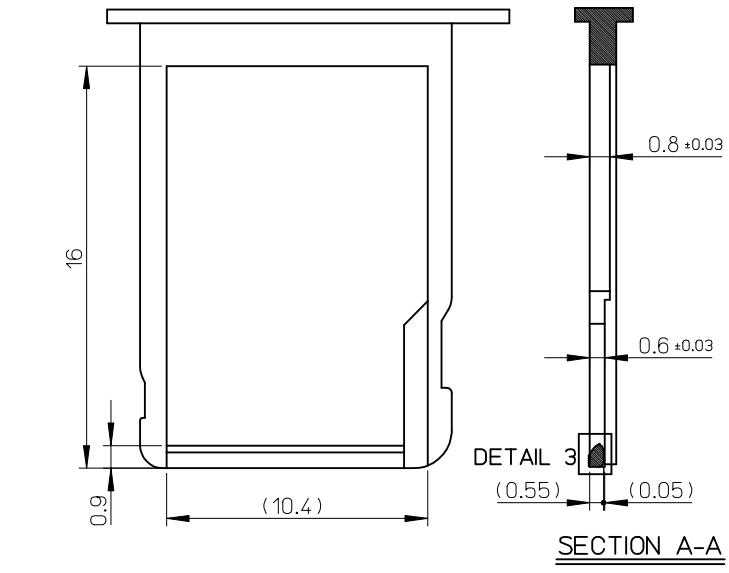
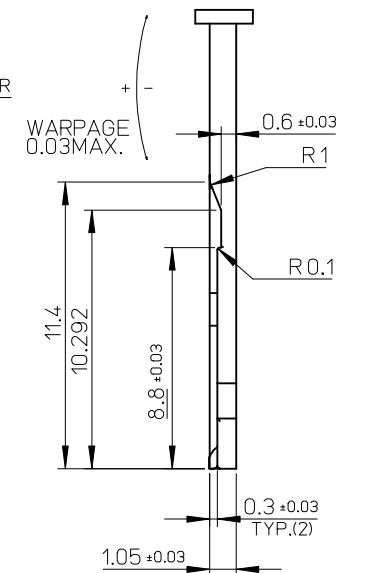
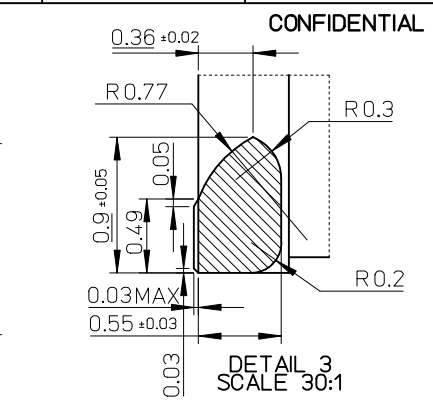
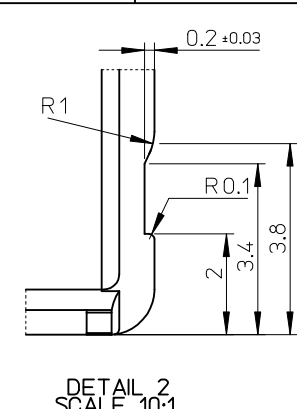
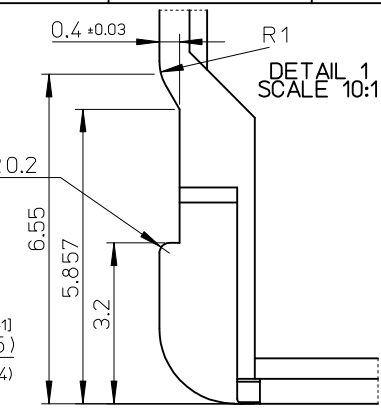
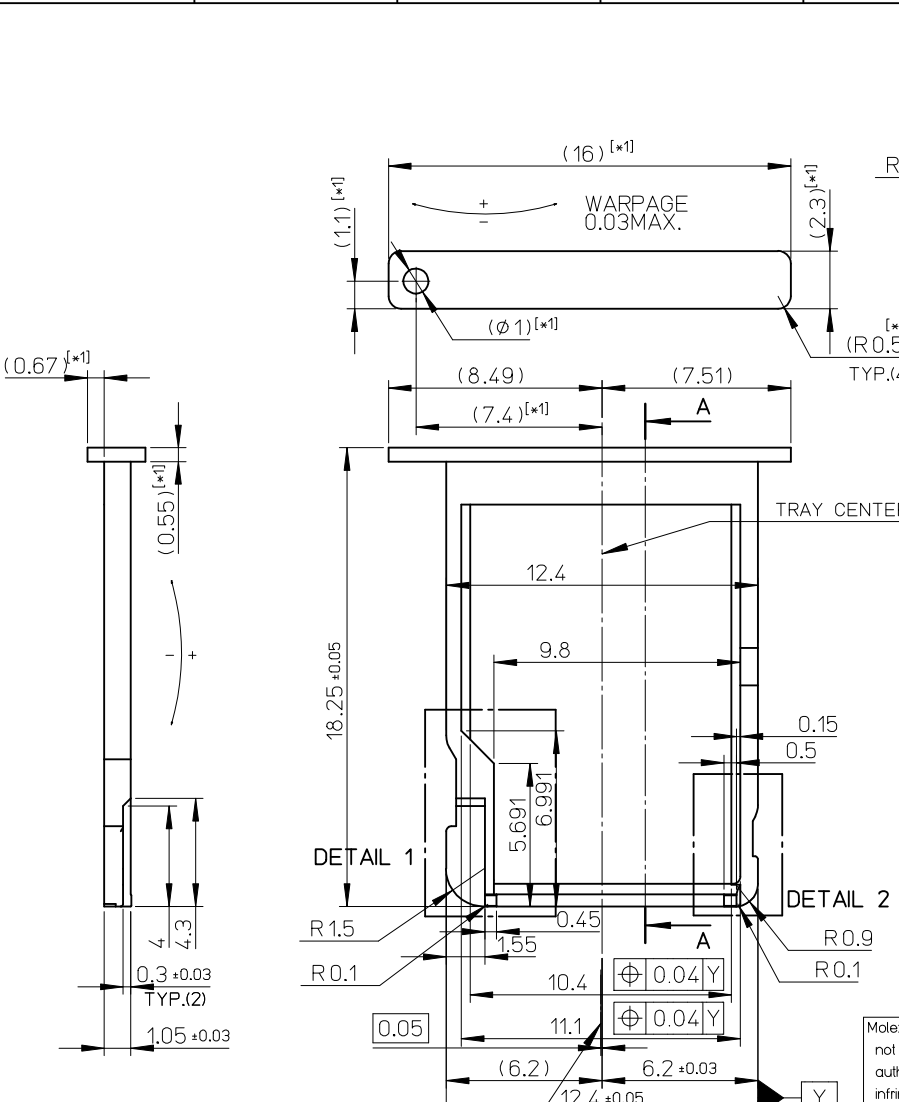
E

D

C

B

A



APPLICABLE MIM TRAY
(REFERENCE ONLY)
TOLERANCE : ±0.05
COPRANALITY 0.05MAX
SURFACE ROUGHNESS : Ra=1 μm MAX.

[x1]CUSTOMER CAN DECIDE THIS DIMENSION.
REFERENCE ONLY
There is a proposed drawing for concept,
so the dimensions are subject to change without notice.
Also, this model is tentative, and has the possibility of changing.

Molex shall not be responsible for any infringement to the extent such infringement is the result of (a) use of the Product(s) in combination with any other products not provided by Molex if the infringement would not have occurred but for such combination, (b) any alteration or modification of the Product(s) not undertaken or authorized by Molex if the infringement would not have occurred but for such alteration or modification, (c) Molex's compliance with Buyer's specifications if the infringement would not have occurred but for such compliance, or (d) Buyer's failure to comply with Molex's instructions regarded as necessary to render the Product(s) non-infringing if the infringement would not have occurred if Buyer would have complied with Molex's instructions.

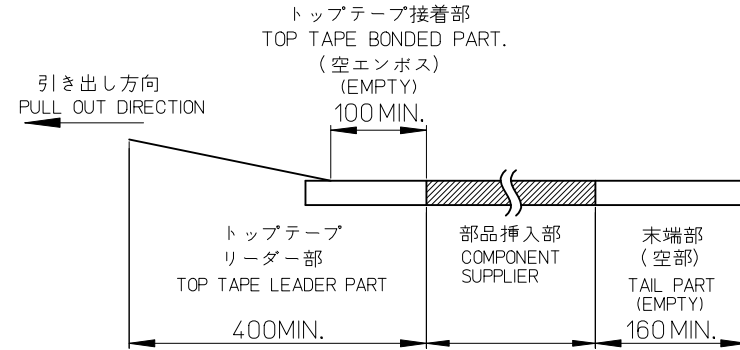
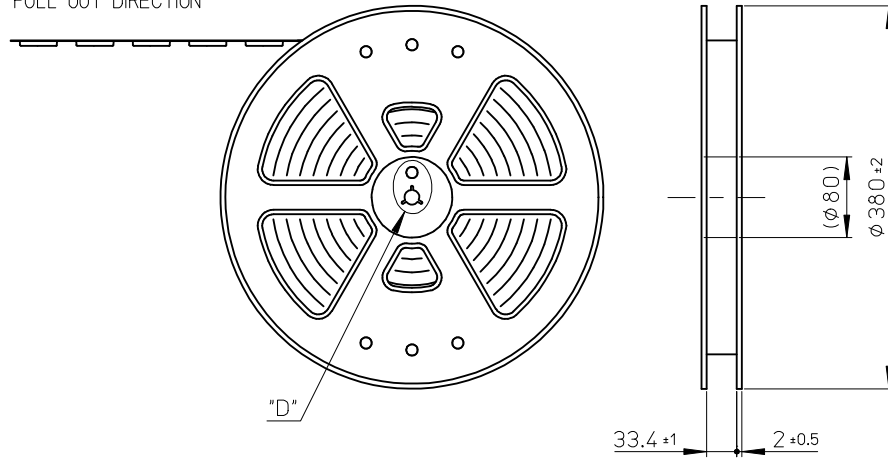
REVISED	EC NO: J2017-031B	2016/12/09	GENERAL TOLERANCES (UNLESS SPECIFIED)		DIMENSION STYLE		SCALE	DESIGN UNITS	THIRD ANGLE PROJECTION
	DRWN: YHONDA01	2016/12/09	0.25 UNDER	±0.03	MM ONLY		5:1	METRIC	
A	CHKD: TASAKAWA	2016/12/14	0.25 OVER	0.5 UNDER	±0.05	DRAWN BY	DATE	TITLE	
	APPR: TKUSUHARA01	2016/12/19	0.5 OVER	1.0 UNDER	±0.1	YMATSUMOTO	2014/01/24	MICRO SD CONN.	
REV	DESCRIPTION	30 OVER	10 OVER	10 UNDER	±0.2	CHECKED BY	DATE	BAR-PUSH TRAY TYPE	
		10 OVER	30 UNDER	±0.25	SAKIYAMA	2014/01/24	ASSY		
		ANGULAR	±1 °	±0.3	APPROVED BY	DATE		molex	
		DRAFT WHERE APPLICABLE MUST REMAIN WITHIN DIMENSIONS			MATERIAL NO.	2014/01/31	DOCUMENT NO.	SHEET NO.	
					SEE SHEET 1 OF 3		SD-504528-003	3 OF 3	
THIS DRAWING CONTAINS INFORMATION THAT IS PROPRIETARY TO MOLEX ELECTRONIC TECHNOLOGIES, LLC AND SHOULD NOT BE USED WITHOUT WRITTEN PERMISSION									

NOTES

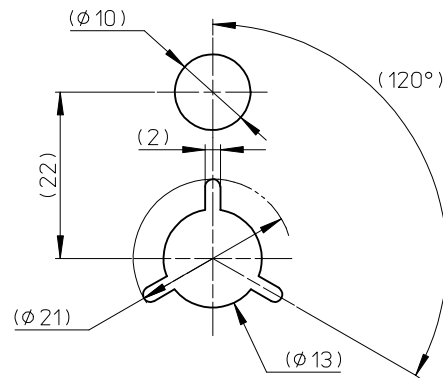
CONFIDENTIAL

- 製品詳細寸法は製品単体図面を参照して下さい。
FOR DETAIL OF CONNECTOR DIMENSIONS, PLEASE SEE THE DRAWING OF CONNECTOR ITSELF (NOT PACKAGED)
- 梱包数量:1400個/リール
NUMBER OF CONNECTORS : 1400 PCS/REEL.
- リードテープ長さ LEAD TAPE LENGTH.

引き出し方向
PULL OUT DIRECTION



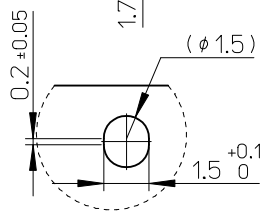
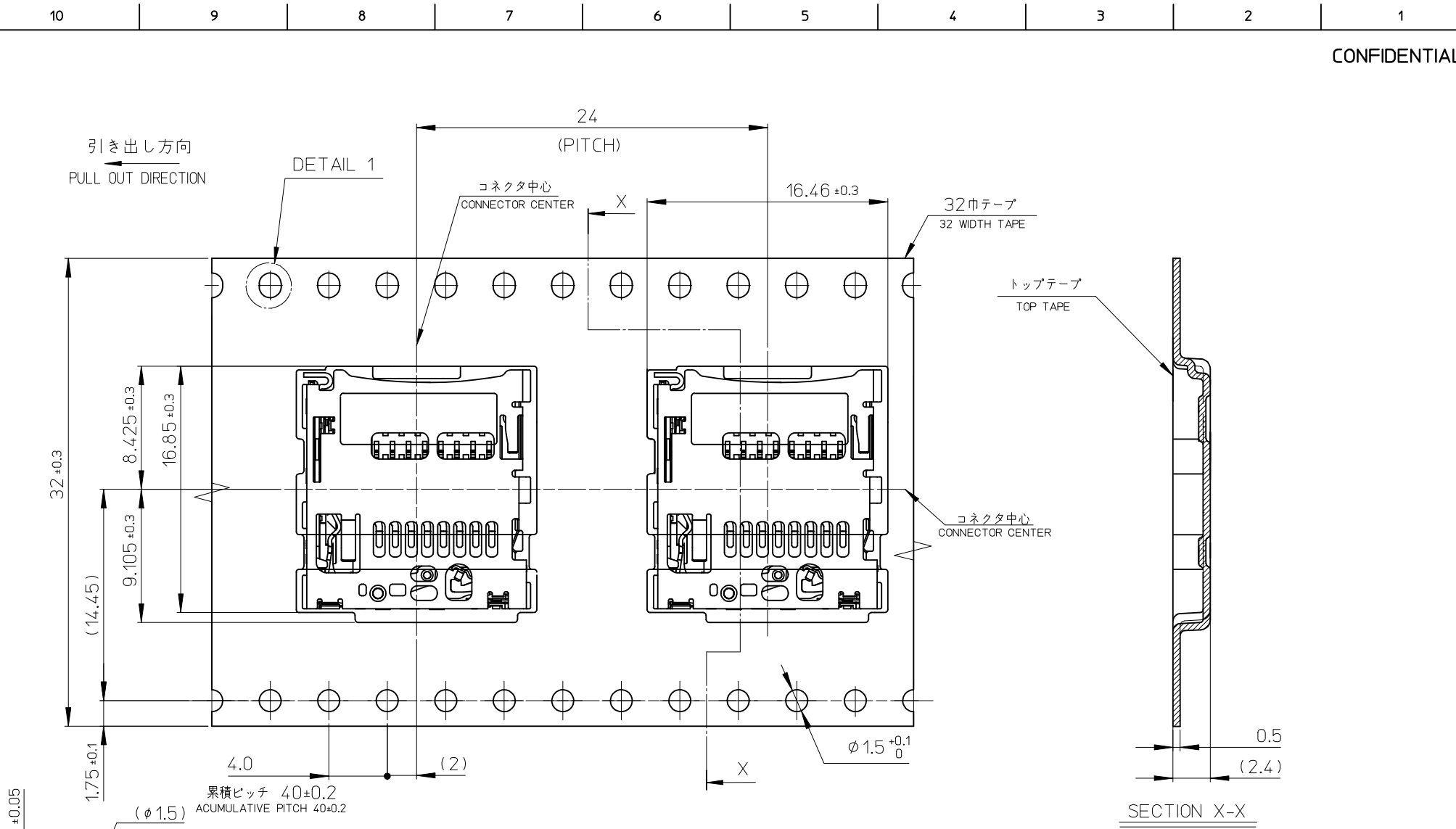
- カバーテープの剥離強度については、IEC60286-3に準拠
Cover tape peel force is defined by IEC60286-3.
- 材料 MATERIAL
キャリアテープ(CARRIER TAPE) : ポリスチレン (POLYSTYRENE)
トップテープ(TOP TAPE) : PET, PE, PEF
リール(REEL) : ポリスチレン(PS)<リサイクル材含む>
POLYSTYRENE (PS)<RECYCLE MATERIAL CONTAINED>
- ELV AND RoHS COMPLIANT



DETAIL "D"

504528-0821	504528-0892	504528-08**
CONNECTOR ONLY		MODEL NO.
ORDER No. オーダー番号		DESIGN UNITS

REVISED EC NO: J2017-0313 DRWN:YHONDA01 2016/12/09 CHKD:TASAKAWA 2016/12/14 APPR:KUSUHARA01 2016/12/19	GENERAL TOLERANCES (UNLESS SPECIFIED)		DIMENSION STYLE MM ONLY		SCALE ---	DESIGN UNITS METRIC	THIRD ANGLE PROJECTION
	0.25 UNDER	±0.03	DRAWN BY	DATE	TITLE		
	0.25 OVER 0.5 UNDER	±0.05	YMATSUMOTO	2014/01/24	MICRO SD CARD CONN. BAR-PUSH TRAY TYPE EMBOSSED TAPE PACKAGE		
	0.5 OVER 1.0 UNDER	±0.1	SAKIYAMA	2014/01/24	molex		
1.0 OVER 10 UNDER	±0.2	APPROVED BY	DATE	MATERIAL NO.	DOCUMENT NO.	SHEET NO.	
10 OVER 30 UNDER	±0.25	NUKITA	2014/01/31	SEE CHART	SD-504528-004	1 OF 2	
30 OVER	±0.3	DRAFT WHERE APPLICABLE MUST REMAIN WITHIN DIMENSIONS		SIZE A3	THIS DRAWING CONTAINS INFORMATION THAT IS PROPRIETARY TO MOLEX ELECTRONIC TECHNOLOGIES, LLC AND SHOULD NOT BE USED WITHOUT WRITTEN PERMISSION		
ANGULAR ±1 °							



DETAIL 1
SCALE 3:1

REVISED EC NO: J2017-0313 DRWN: YHONDA01 2016/12/09 CHKD: TASAKAWA 2016/12/14 APPR: KUSUHARA01 2016/12/19 A	GENERAL TOLERANCES (UNLESS SPECIFIED)		DIMENSION STYLE MM ONLY		SCALE ---	DESIGN UNITS METRIC	THIRD ANGLE PROJECTION	
	0.25 UNDER	±0.03	DRAWN BY YMATSUMOTO		DATE 2014/01/24		TITLE MICRO SD CARD CONN. BAR-PUSH TRAY TYPE EMBOSSED TAPE PACKAGE	
	0.25 OVER 0.5 UNDER	±0.05	CHECKED BY SAKIYAMA		DATE 2014/01/24			
	0.5 OVER 1.0 UNDER	±0.1	APPROVED BY NUKITA		DATE 2014/01/31			
	1.0 OVER 10 UNDER	±0.2	MATERIAL NO. SEE SHEET 1 OF 2		DOCUMENT NO. SD-504528-004		SHEET NO. 2 OF 2	
10 OVER 30 UNDER	±0.25	DRAFT WHERE APPLICABLE MUST REMAIN WITHIN DIMENSIONS		SIZE A3		THIS DRAWING CONTAINS INFORMATION THAT IS PROPRIETARY TO MOLEX ELECTRONIC TECHNOLOGIES, LLC AND SHOULD NOT BE USED WITHOUT WRITTEN PERMISSION		
30 OVER	±0.3							
ANGULAR	±1 °							