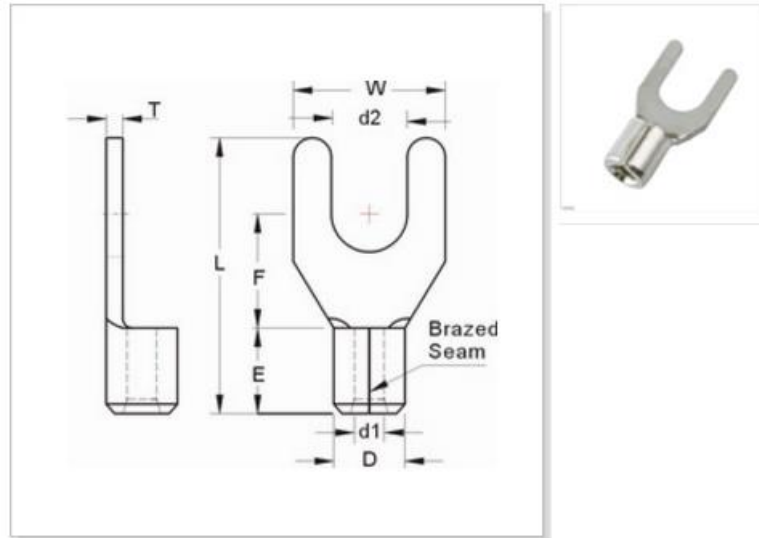


## 压线端子

详情说明



MAXIMUM ELECTRIC CURRENT:

A.W.G.	16	14
AMP.	18	30

TERMINAL MATERIAL: COPPER

WIRE RANGE A.W.G. mm <sup>2</sup>	ITEM NO.		STUD SIZE	DIMENSION inch(mm)							CRIMPING TOOL	Q'TY BOX	
	BRAZED SEAM	BUTTED SEAM		d2	W	F	L	E	D	d1			T
16-14 A.W.G.	<input type="checkbox"/> SNBL2-6-HD	<input type="checkbox"/> SNL2-6-HD	1/4	0.252	0.472	0.472	0.965	0.236	0.220	0.11	0.051	IZUMI MODEL 5 OR K. S. MODEL KST2000D-1322 NO: 12-10	1000
1.5-2.5 mm <sup>2</sup>	<input checked="" type="checkbox"/> <b>New</b>			6.4	12	12	24.5	6	5.600	2.8	1.3	OR LY-2045A LY-2045C LY-2045D WITH DIE INDEX NO: 5. 5	