

General Description

The TD5830 is a high performance positive voltage regulator designed for use in applications requiring very low Input voltage and very low dropout voltage at up to 3 amps. It operates with a V_{IN} as low as 1.6V and VPP voltage 5V with output voltage programmable as low as 0.8V. The TD5830 features ultra low dropout, ideal for applications where V_{OUT} is very close to V_{IN} .

Additionally, the TD5830 has an enable pin to further reduce power dissipation while shutdown. The TD5830 provides excellent regulation over variations in line, load and temperature. The TD5830 provides a power OK signal to indicate if the voltage level of V_O reaches 92% of its rating value.

The TD5830 is available in the power SOP-8PP package. It is available with 1.2V, 1.5V, 1.8V and 2.5V internally preset outputs that are also adjustable using external resistors.

Features

- Adjustable Output Low to 0.8V
- Input Voltage as Low as 1.6V and VPP Voltage 5V
- 240mV Dropout @ 3A
- Over Current and Over Temperature Protection
- Enable Pin
- Low Reverse Leakage (Output to Input)
- Power SOP8 –PP Packages with Thermal Pad
- $\pm 2\%$ Output Voltage
- V_O Power OK Signal
- 1.2V, 1.5V, 1.8V, 2.5V Options and Adjustable
- Externally Using Resistors
- V_O Pull Low Resistance when Disable

Applications

- Motherboards
- Peripheral Cards
- Network Cards
- Set Top Boxes
- Notebook Computers

Package Types

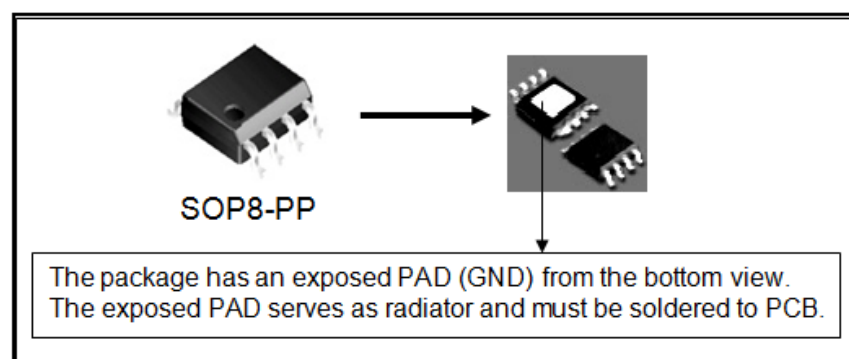
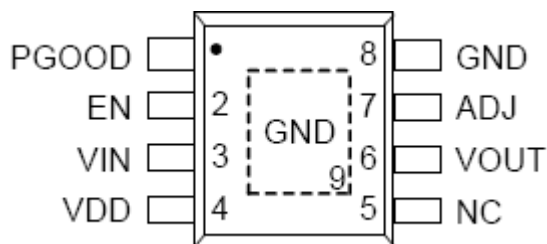


Figure 1. Package Types of TD5830

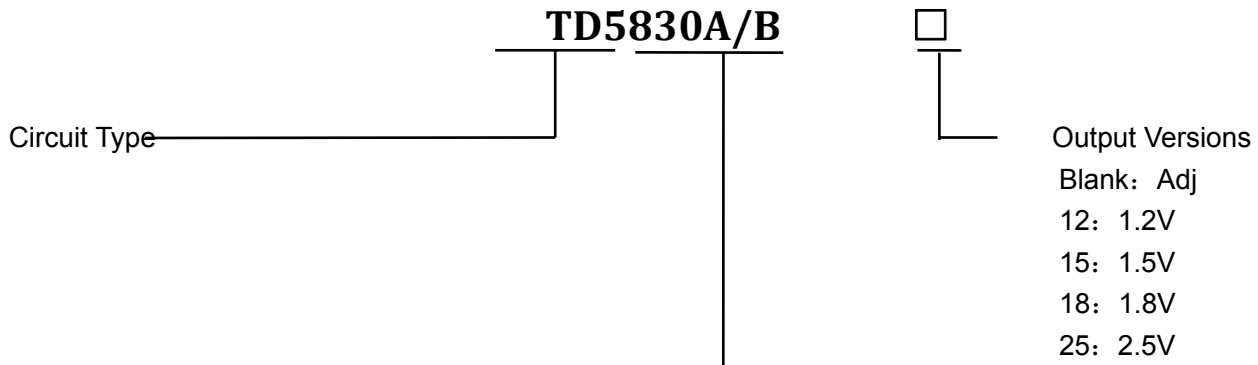
Pin Assignments



SOP8-PP

PIN	NAME	
1	PGOOD	Assert high once VO reaches 92% of its rating voltage. Open-drain output.
2	EN	Enable Input. (Active High)
3	VIN	Input voltage. Large bulk capacitance should be placed closely to this pin. A 10µF ceramic capacitor is recommended at this pin.
4	VDD	Input voltage for controlling circuit.
5	NC	Not connected.
6	VOUT	The power output of the device. A pull low resistance exists when deactivate device by VEN.
7	ADJ	This pin, TD5830A/B when grounded, sets the output voltage by the internal feedback resistors. If external feedback resistors are used, the output voltage will be $VO = 0.8(R1+R2)/R2$ Volts.
8	GND	Reference ground.

Ordering Information



Functional Block Diagram

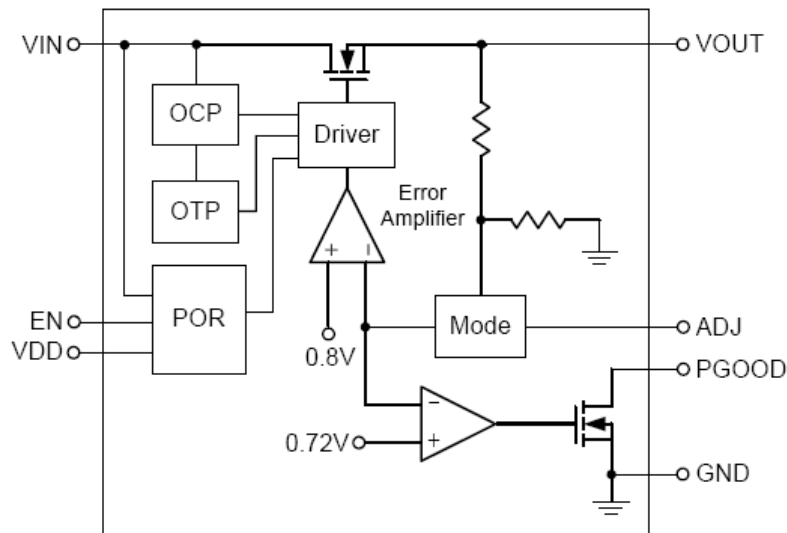


Figure2:Functional Block Diagram of TD5830

Absolute Maximum Ratings

Note1: Stresses greater than those listed under Maximum Ratings may cause permanent damage to the device. This is a stress rating only and functional operation of the device at these or any other conditions above those indicated in the operation is not implied. Exposure to absolute maximum rating conditions for extended periods may affect reliability.

Parameter	Rating	Unit
VCNTL Supply Voltage (VCNTL to GND)	-0.3 ~ 6	V
VIN Supply Voltage (VIN to GND)	-0.3 ~ 6	V
VOUT to GND Voltage	-0.3 ~ VIN+0.3	V
POK to GND Voltage	-0.3 ~ 7	V
EN, FB to GND Voltage	-0.3 ~ VCNTL+0.3	V
Power Dissipation	Internally Limited	
Maximum Junction Temperature	150	°C
Storage Temperature Range	-65°C ≤ T _J ≤ +150	°C
Reflow Temperature (soldering, 10sec)	260	°C
Thermal Resistance Junction to Ambient	50	°C/W
Thermal Resistance Junction to Case	20	°C/W
Operating Temperature Range	-40 to +125	°C
Storage Temperature	-65 to +150	°C
Lead Temperature (Soldering, 10 sec)	260	°C
ESD Rating (Human Body Model)	2000	V

Recommended Operating Conditions

Symbol	Parameter	Range	Unit	
VDD	VCNTL Supply Voltage	3.0 ~ 5.5	V	
VIN	VIN Supply Voltage	1.2 ~ 5.5	V	
VOUT	VOUT Output Voltage (when VCNTL-VOUT>1.7V)	0.8 ~ VIN – VDROPP	V	
IOUT	VOUT Output Current	0 ~ 3	A	
R2	ADJ to GND	1k ~ 24k	Ω	
COUT	VOUT Output Capacitance	IOUT = 3A at 25% nominal VOUT	8~770	COUT
		IOUT = 1.5A at 25% nominal VOUT	8~1400	
		IOUT = 0.5A at 25% nominal VOUT	8~1700	
ESRCOUT	ESR of VOUT Output Capacitor	0 ~ 200	mΩ	
TA	Ambient Temperature	-40 ~ 85	°C	
TJ	Junction Temperature	-40 ~ 125	°C	

Electrical Characteristics

Note: Refer to the typical application circuits. These specifications apply over VCNTL=5V, VIN=1.8V, VOUT=1.2V, and TA= -40 ~ 85°C, unless otherwise specified. Typical values are at TJ=25°C.

Symbol	Parameter	Test Conditions	Min.	Typ.	Max.	Unit
	POR Threshold		2.4	2.7	3	V
	POR Hysteresis		0.15	0.2	-	V
VTH_ADJ	Adjustable Pin Threshold	IOUT=1mA	-	0.2	0.4	V
VADJ	Reference Voltage	IOUT=1mA	0.784	0.8	0.816	V
ΔVOUT	Fixed Output Voltage Range		-2	0	+2	%
ΔVLINE_IN	Line Regulation(VIN)	VIN=VOUT+0.5V TO 5V IOUT=1mA	-	0.2	0.6	%
ΔVLOAD	Load Regulation	VIN=VOUT+1V IOUT=1mA TO 3A	-	0.1	1	%
VDROPP	Dropout Voltage	IOUT= 3A		210	350	mV
IQ	Quiescent Current	VDD=5.5V	-	0.6	1.2	mA
ILIM	Current Limit		3.2	4.5		A
	Short Circuit Current	VOUT<0.2V	0.5	1.8		A
	In-rush Current	COUT=10uF, Enable Start-up		0.6		A
	VOUT Pull-Low Resistance	VEN=0V	-	150	-	Ω
Chip Enable						
IEN	EN Input Bias Current	VEN=0V		12		uA
ISHDN	VDD Shutdown Current	TD5830A	-	10	20	uA

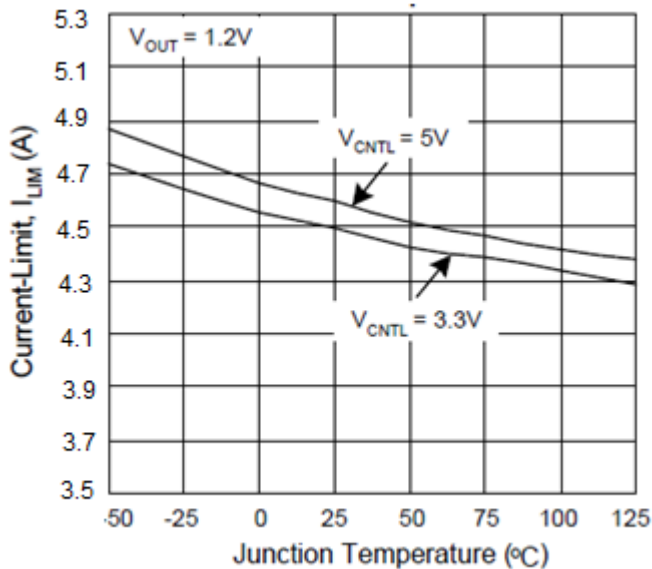
3A Low Dropout Regulator with Enable

TD5830A/B

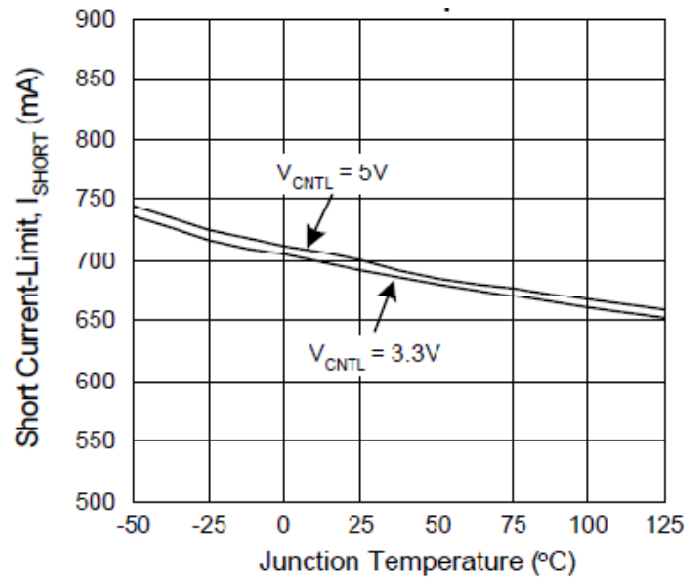
		TD5830B	-	-	1	
V _{ENL}	EN Threshold	Logic-Low Voltage	-	-	0.2	V
V _{ENH}		Logic-High Voltage	1.2	-	-	
Power Good						
	PGOOD Rising Threshold			90	93	%
	PGOOD Hysteresis		3	10	-	%
	PGOOD Sink Capability	I _{PGOOD} =10mA		0.2	0.4	V
	PGOOD Delay		0.5	1.5	5	mS
Thermal Protection						
T _{SD}	Thermal Shutdown Temperature		-	160	-	°C
ΔT _{SD}	Thermal Shutdown Hysteresis		-	30	-	°C
	Thermal Shutdown Temperature Fold-back	V _{OUT} <0.4V	-	110	-	°C

Typical Operating Characteristics

Current-Limit vs. Junction Temperature

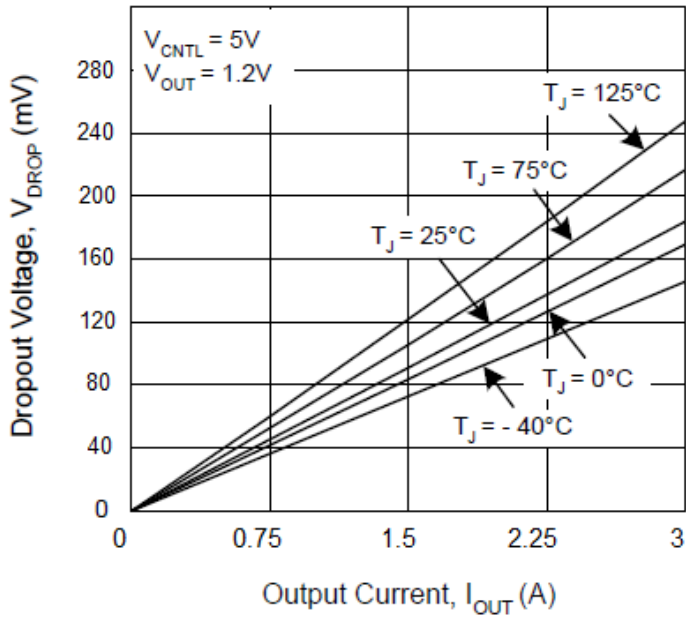


Short Current-Limit vs. Junction Temperature

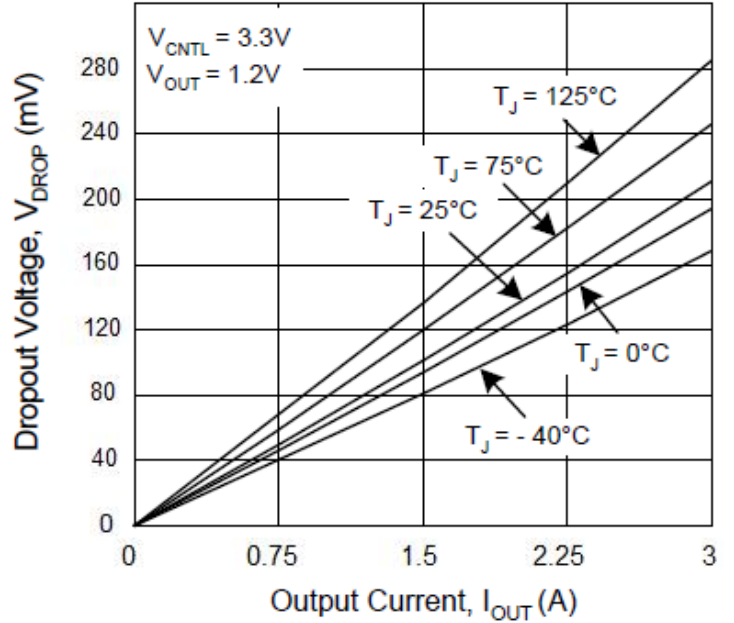


Typical Operating Characteristics(Cont.)

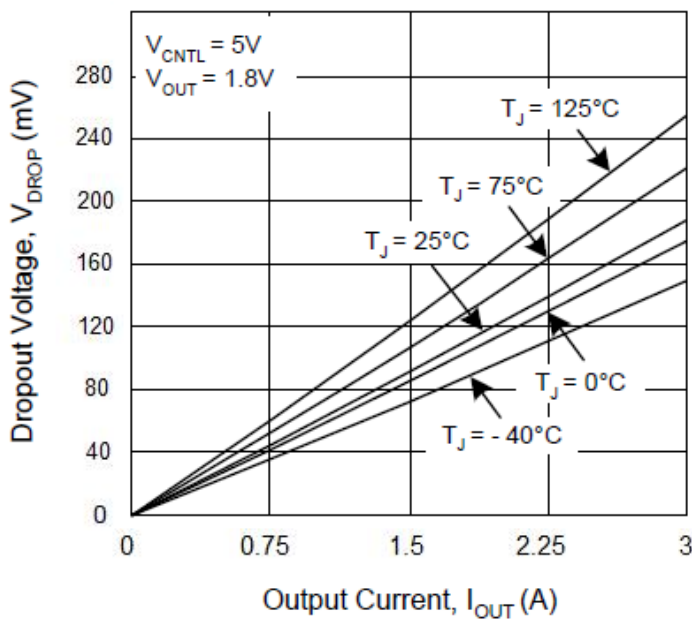
Dropout Voltage vs. Output Current



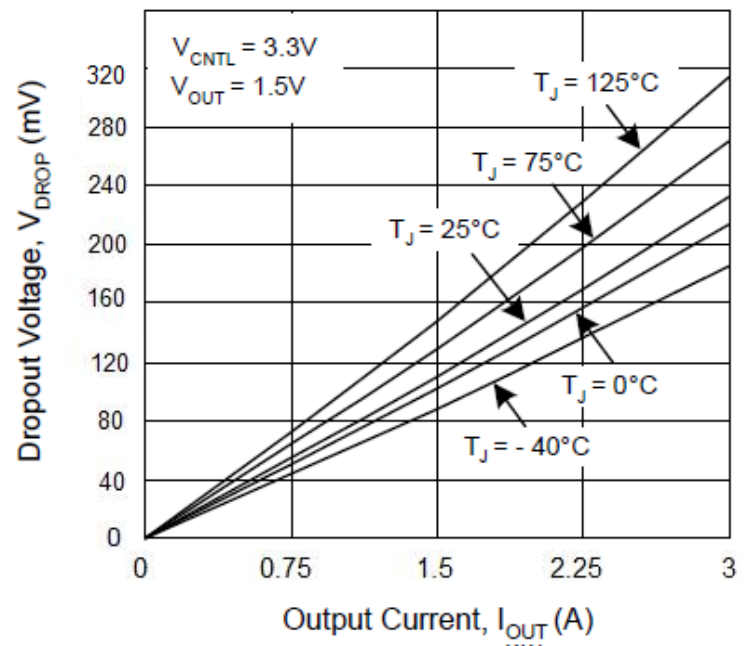
Dropout Voltage vs. Output Current



Dropout Voltage vs. Output Current

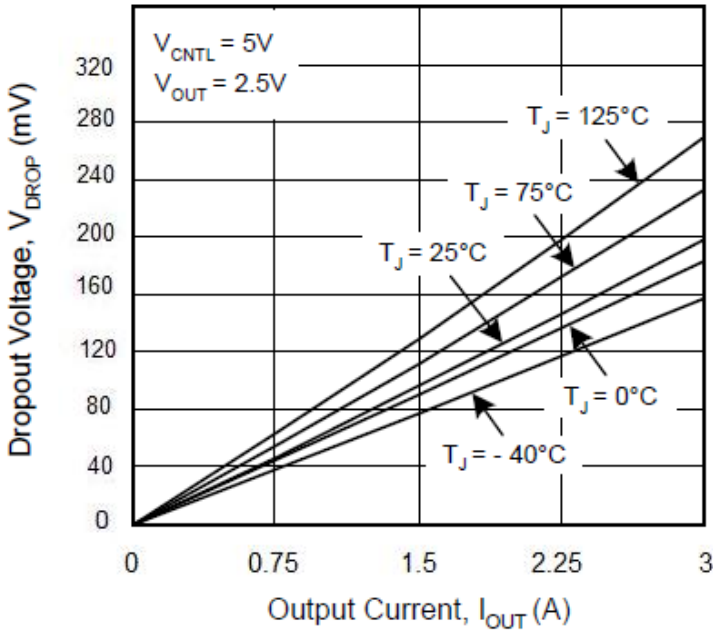


Dropout Voltage vs. Output Current

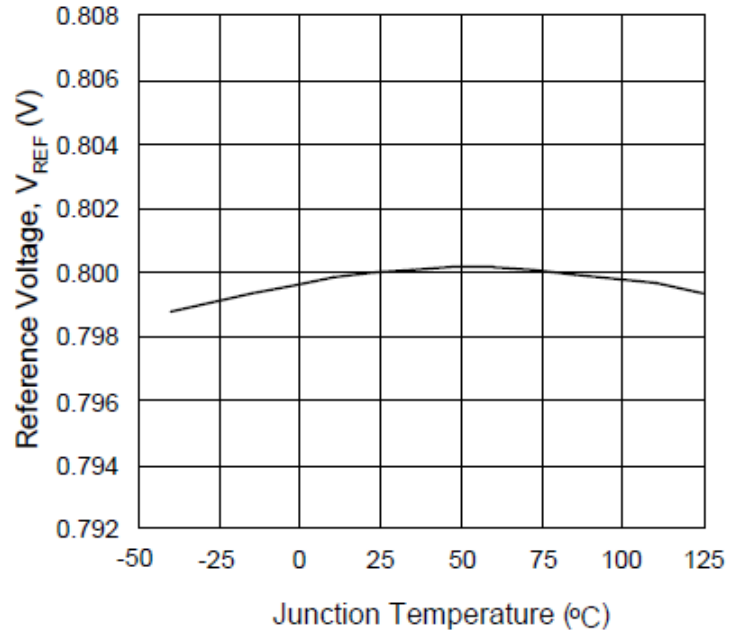


Typical Operating Characteristics(Cont.)

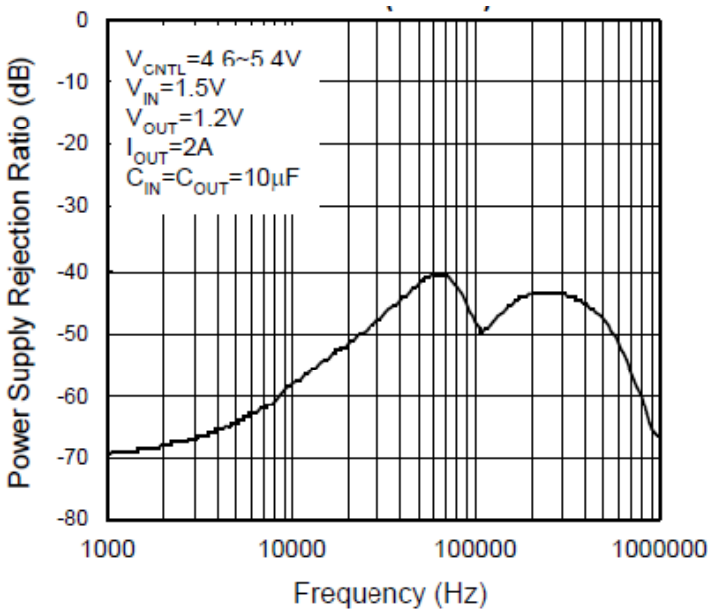
Dropout Voltage vs. Output Current



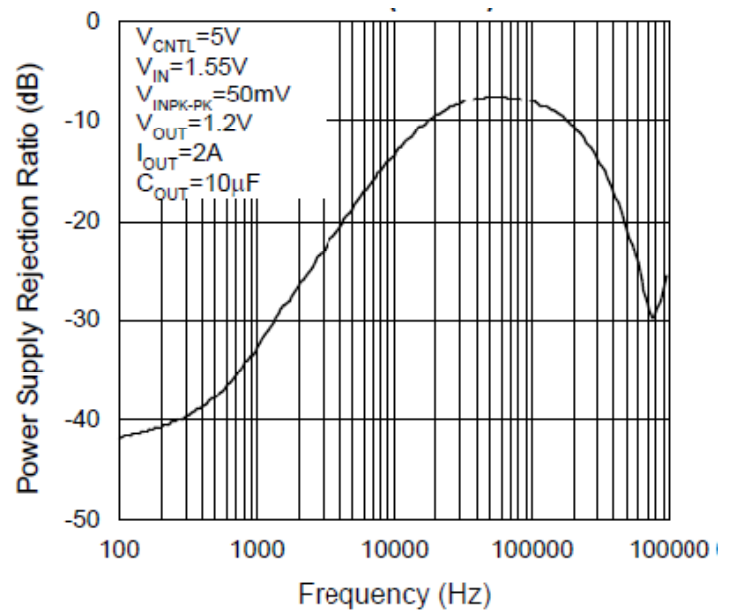
Reference Voltage vs. Junction Temperature



VCNTL Power Supply Rejection Ratio (PSRR)



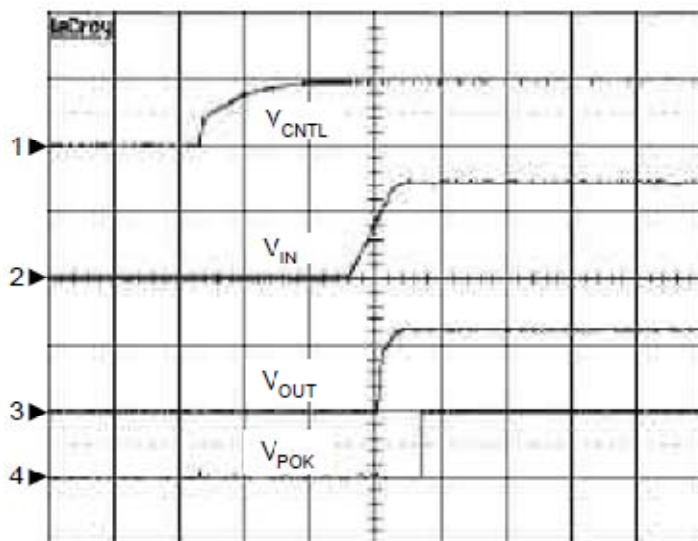
VIN Power Supply Rejection Ratio (PSRR)



Operating Waveforms

Refer to the typical application circuit. The test condition is $V_{IN}=1.5V$, $V_{CNTL}=5V$, $V_{OUT}=1.2V$, $T_A=25^{\circ}C$ unless otherwise specified

Power On

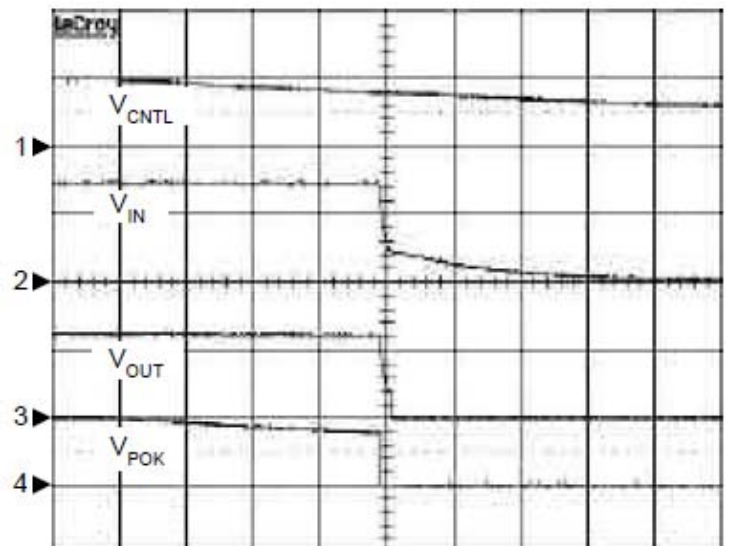


$C_{OUT}=10\mu F$, $C_{IN}=10\mu F$, $R_L=0.6\Omega$ / TIME: 5ms/Div

CH1: V_{CNTL} , 5V/Div, DC/CH2: V_{IN} , 1V/Div, DC

CH3: V_{OUT} , 1V/Div, DC/CH4: V_{POK} , 5V/Div, DC

Power Off

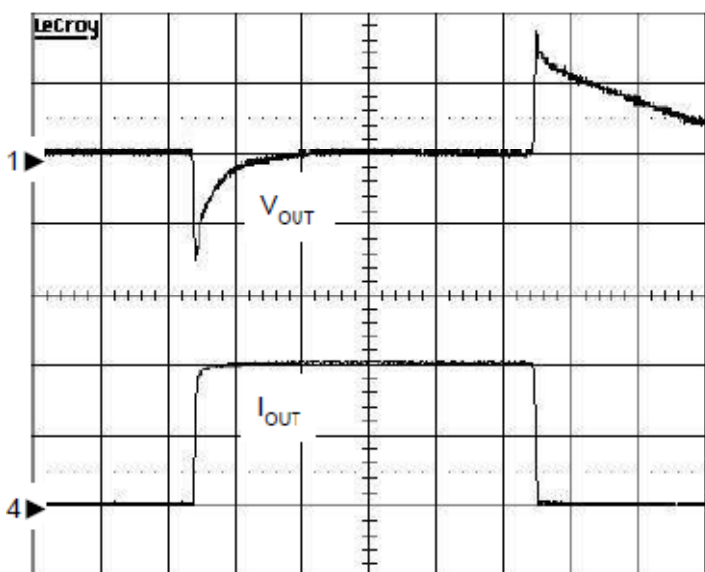


$C_{OUT}=10\mu F$, $C_{IN}=10\mu F$, $R_L=0.6\Omega$ / TIME: 10ms/Div

CH1: V_{CNTL} , 5V/Div, DC/CH2: V_{IN} , 1V/Div, DC

CH3: V_{OUT} , 1V/Div, DC/CH4: V_{POK} , 5V/Div, DC

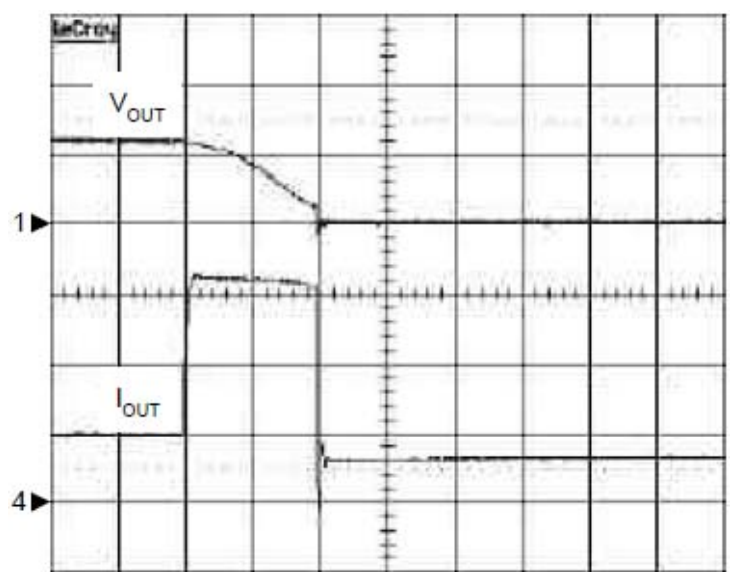
Load Transient Response



$I_{OUT}=10mA$ to 3A to 15mA (rise / fall time = $1\mu s$) $C_{OUT}=10\mu F$, $C_{IN}=10\mu F$

CH1: V_{out} , 50mV/Div, AC/CH4: I_{out} , 1.5A/Div, DC/ TIME: 20 μs /Div

Over Current Protection



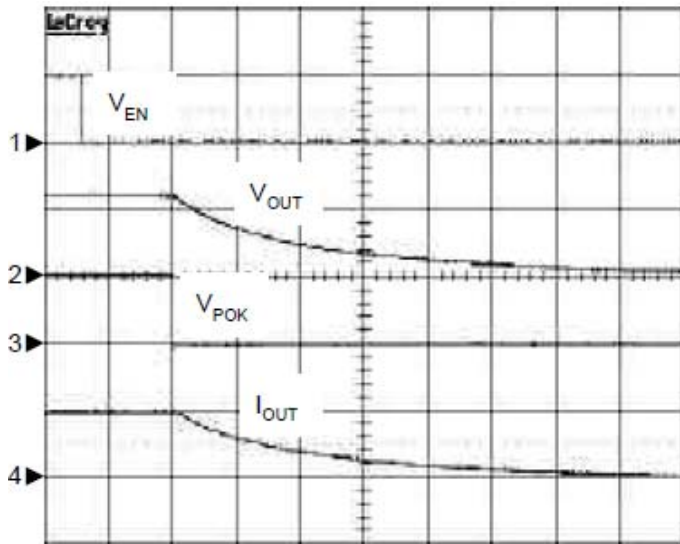
$C_{OUT}=10mF$, $C_{IN}=10mF$, $I_{OUT}=1A$ to 5.1A

CH1: V_{OUT} , 1V/Div, DC/ CH4: I_{OUT} , 1.5A/Div, DC/ TIME: 0.2ms/Div

Operating Waveforms(Cont.)

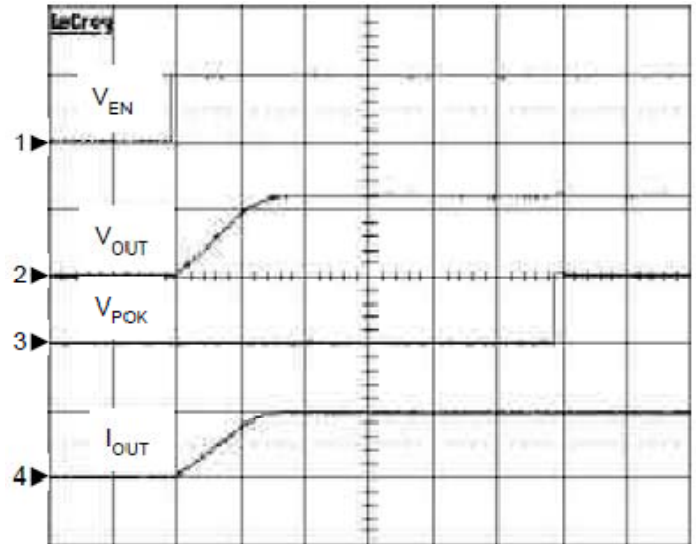
Refer to the typical application circuit. The test condition is $V_{IN}=1.5V$, $V_{CTRL}=5V$, $V_{OUT}=1.2V$, $T_A=25^{\circ}C$ unless otherwise specified

Shutdown



COUT=10mF, CIN=10mF, RL=0.6W/ TIME: 5us/Div
 CH1: VEN, 5V/Div, DC/CH2: VOUT, 1V/Div, DC
 CH3: VPOK, 5V/Div, DC/CH4: IOUT, 3A/Div, DC

Enable



COUT=10mF, CIN=10mF, RL=0.6W/ TIME: 0.5ms/Div
 CH1: VEN, 5V/Div, DC/CH2: VOUT, 1V/Div, DC
 CH3: VPOK, 5V/Div, DC/CH4: IOUT, 3A/Div, DC

Typical Application Circuit

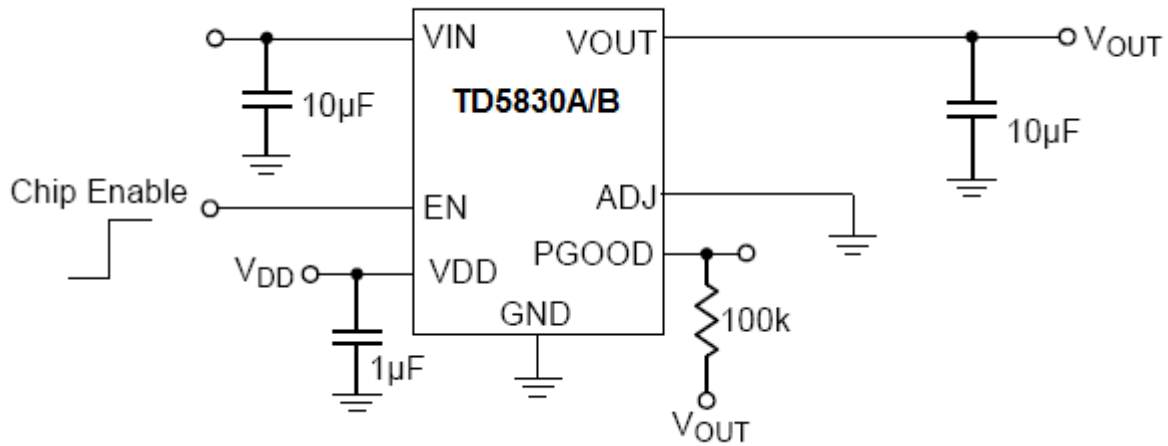


Figure3:Fixed Voltage Regulator Application Circuit of TD5830A/B

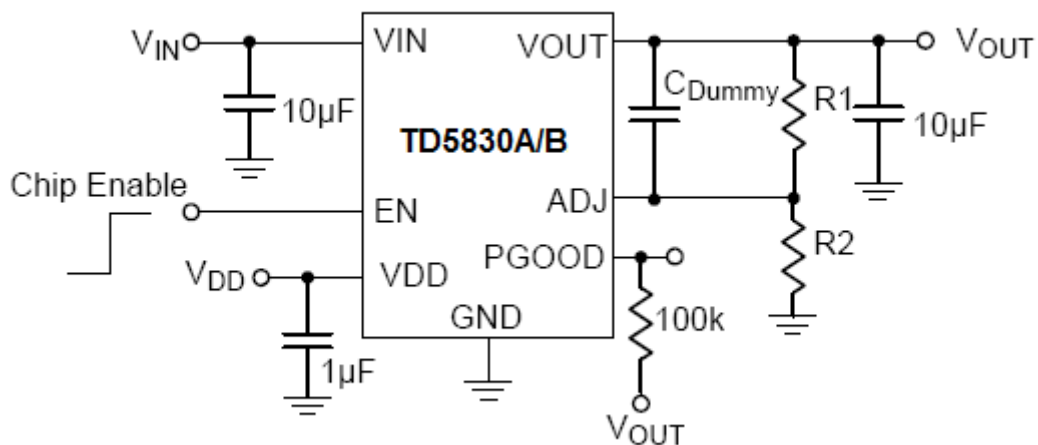


Figure4:Adjustable Voltage Regulator Application Circuit of TD5830A/B

Function Description

Power-On-Reset

A Power-On-Reset (POR) circuit monitors both of supply voltages on VCNTL and VIN pins to prevent wrong logic controls. The POR function initiates a soft-start process after both of the supply voltages exceed their rising POR voltage thresholds during powering on. The POR function also pulls low the POK voltage regardless of the output status when one of the supply voltages falls below its falling POR voltage threshold.

Internal Soft-Start

An internal soft-start function controls rise rate of the output voltage to limit the current surge during start-up. The typical soft-start interval is about 0.6ms.

Output Voltage Regulation

An error amplifier working with a temperature compensated 0.8V reference and an output NMOS regulates output to the preset voltage. The error amplifier is designed with high bandwidth and DC gain provides very fast transient response and less load regulation. It compares the reference with the feedback voltage and amplifies the difference to drive the output NMOS which provides load current from VIN to VOUT.

Current-Limit Protection

The TD5830 monitors the current flowing through the output NMOS and limits the maximum current to prevent load and TD5830 from damages during current overload conditions.

Short Current-Limit Protection

The short current-limit function reduces the current-limit level down to 0.8A (typical) when the voltage on FB pin falls below 0.2V (typical) during current overload or shortcircuit conditions.

The short current-limit function is disabled for successful start-up during soft-start.

Thermal Shutdown

A thermal shutdown circuit limits the junction temperature of TD5830. When the junction temperature exceeds +170 °C, a thermal sensor turns off the output NMOS, allowing the device to cool down. The regulator regulates the output again through initiation of a new soft-start process after the junction temperature cools by 50°C, resulting in a pulsed output during continuous thermal overload conditions. The thermal shutdown is designed with a 50 °C hysteresis to lower the average junction temperature during continuous thermal overload conditions, extending lifetime of the device.

For normal operation, the device power dissipation should be externally limited so that junction temperatures will not exceed +125 °C.

Enable Control

The TD5830A/B has a dedicated enable pin (EN). TD5830A:A logic low signal applied to this pin shuts down the output. Following a shutdown, a logic high signal re-enables the output through initiation of a new soft-start cycle. When left open, this pin is pulled up by an internal current source (5µA typical) to enable normal operation. It's not necessary to use an external transistor

Function Description(Cont.)

to save cost.

TD5830B:A logic low signal applied to this pin shuts down the output. Following a shutdown, a logic high signal re-enables the output through initiation of a new soft-start cycle. When left open, this pin is pulled up by an internal current source (5 μ A typical) to turn off operation.

Power-OK and Delay

The TD5830 indicates the status of the output voltage by monitoring the feedback voltage (VFB) on FB pin. As the VFB rises and reaches the rising Power-OK voltage threshold(VTHPOK), an internal delay function starts to work. At the end of the delay time, the IC turns off the internal NMOS of the POK to indicate the output is ok. As the VFB falls and reaches the falling Power-OK voltage threshold, the IC turns on the NMOS of the POK (after a debounce time of 10ms typical).

Application Information

Power Sequencing

The power sequencing of VIN and VCNTL is not necessary to be concerned. However, do not apply a voltage to VOUT for a long time when the main voltage applied at VIN is not present. The reason is the internal parasitic diode from VOUT to VIN conducts and dissipates power without protections due to the forward-voltage.

Output Capacitor

The TD5830 requires a proper output capacitor to maintain stability and improve transient response. The output capacitor selection is dependent upon ESR (equivalent series resistance) and capacitance of the output capacitor over the operating temperature.

Ultra-low-ESR capacitors (such as ceramic chip capacitors) and low-ESR bulk capacitors (such as solid tantalum, POSCap, and Aluminum electrolytic capacitors) can all be used as output capacitors. During load transients, the output capacitors which is depending on the stepping amplitude and slew rate of load current, are used to reduce the slew rate of the current seen by the TD5830 and help the device to minimize the variations of output voltage for good transient response. For the applications with large stepping load current, the low-ESR bulk capacitors are normally recommended. Decoupling ceramic capacitors must be placed at the load and ground pins as close as possible and the impedance of the layout must be minimized.

Application Information(Cont.)

Input Capacitor

The TD5830 requires proper input capacitors to supply current surge during stepping load transients to prevent the input voltage rail from dropping. Because the parasitic inductor from the voltage sources or other bulk capacitors to the VIN pin limit the slew rate of the surge currents, more parasitic inductance needs more input capacitance.

Ultra-low-ESR capacitors (such as ceramic chip capacitors) and low-ESR bulk capacitors (such as solid tantalum, POSCap, and Aluminum electrolytic capacitors) can all be used as an input capacitor of VIN. For most applications, the recommended input capacitance of VIN is 10µF at least. However, if the drop of the input voltage is not cared, the input capacitance can be less than 10µF. More capacitance reduces the variations of the supply voltage on VIN pin.

Setting The Output Voltage

The output voltage is programmed by the resistor divider connected to FB pin. The preset output voltage is calculated by the following equation :

$$V_{OUT} = 0.8 \cdot \left(1 + \frac{R1}{R2} \right)$$

where R1 is the resistor connected from VOUT to FB with Kelvin sensing connection and R2 is the resistor connected from FB to GND. A bypass capacitor(C1) may be connected with R1 in parallel to improve load transient response and stability.

Layout Consideration(See Figure A)

1. Please solder the Exposed Pad on the system ground pad on the top-layer of PCBs. The ground pad must have wide size to conduct heat into the ambient air through the system ground plane and PCB as a heat sink.
2. Please place the input capacitors for VIN and VCNTL pins near the pins as close as possible for decoupling high-frequency ripples.
3. Ceramic decoupling capacitors for load must be placed near the load as close as possible for decoupling high-frequency ripples.
4. To place TD5830 and output capacitors near the load reduces parasitic resistance and inductance for excellent load transient response.
5. The negative pins of the input and output capacitors and the GND pin must be connected to the ground plane of the load.
6. Large current paths, shown by bold lines on the figure 1, must have wide tracks.
7. Place the R1, R2, and C1 (option) near the TD5830 as close as to avoid noise coupling.
8. Connect the ground of the R2 to the GND pin by using a dedicated track.
9. Connect the one pin of the R1 to the load for Kelvin sensing.
10. Connect one pin of the C1 (option) to the VOUT pin

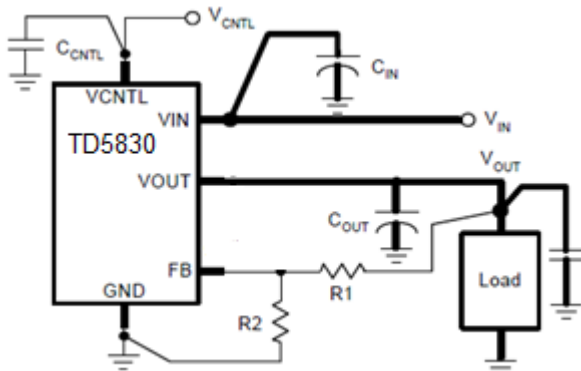


Figure A

Thermal Consideration

Refer to the figure B, the SOP-8PP is a cost-effective package featuring a small size like a standard SOP-8 and a bottom exposed pad to minimize the thermal resistance of the package, being applicable to high current applications. The exposed pad must be soldered to the top-layer ground plane. It is recommended to connect the top-layer ground pad to the internal ground plan by using vias. The copper of the ground plane on the top-layer conducts heat into the PCB and ambient air. Please enlarge the area of the top-layer pad and the ground plane to reduce the case-to-ambient resistance (θ_{CA}).

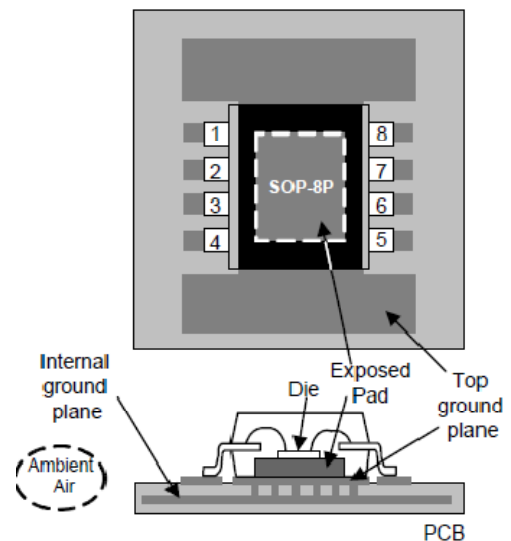
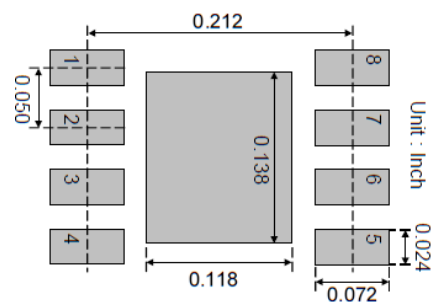
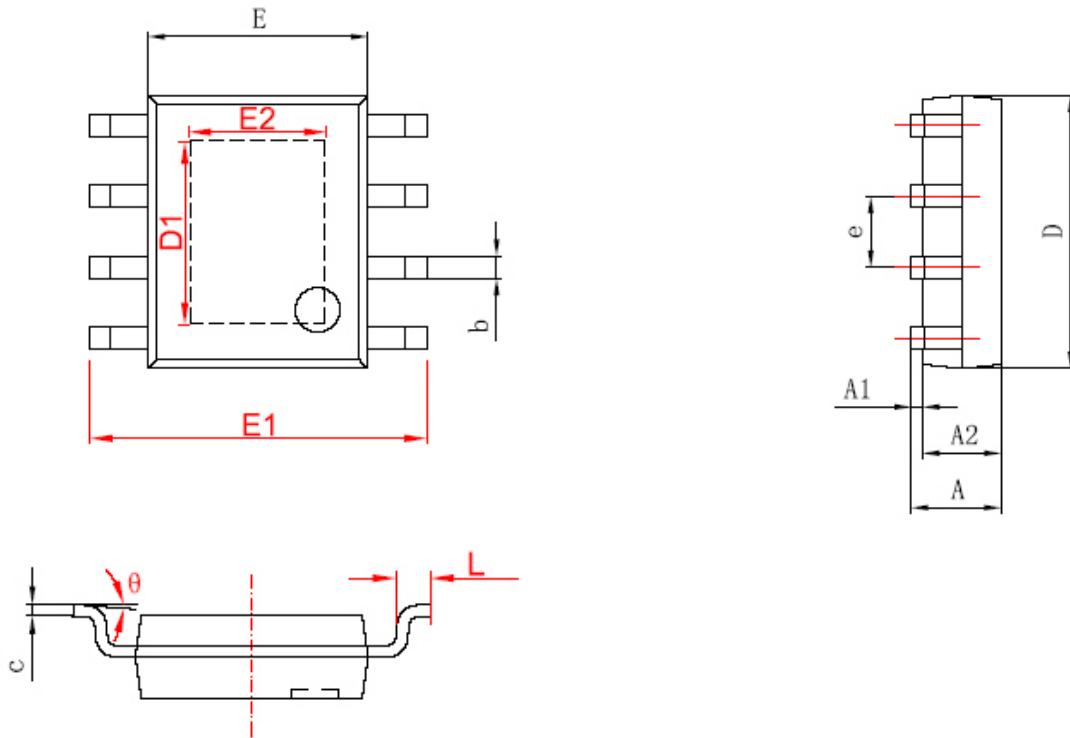


Figure B



Package Information

SOP8-PP Package Outline Dimensions



	Dimensions In Millimeters		Dimensions In Inches	
	Min	Max	Min	Max
A	1.350	1.750	0.053	0.069
A1	0.050	0.150	0.004	0.010
A2	1.350	1.550	0.053	0.061
b	0.330	0.510	0.013	0.020
c	0.170	0.250	0.006	0.010
D	4.700	5.100	0.185	0.200
D1	3.202	3.402	0.126	0.134
E	3.800	4.000	0.150	0.157
E1	5.800	6.200	0.228	0.244
E2	2.313	2.513	0.091	0.099
e	1.270 (BSC)		0.050 (BSC)	
L	0.400	1.270	0.016	0.050
theta	0°	8°	0°	8°

Design Notes