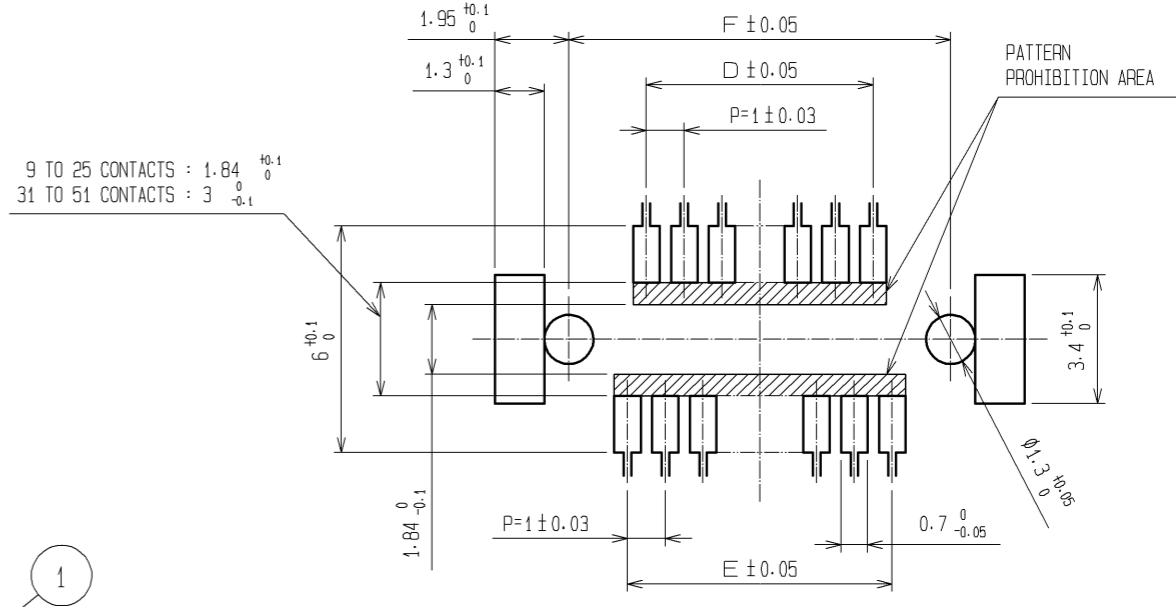


RECOMMENDED PATTERN



| PART No. | CODE No. | NUMBER OF CONTACTS | A | B | C | D | E | F |
|----------------|-----------------|--------------------|------|------|------|----|----|------|
| DF9-9S-1V(69) | CL540-0054-0-69 | 9 | 10.1 | 8.3 | 6.5 | 3 | 4 | 7.1 |
| DF9-11S-1V(69) | CL540-0055-2-69 | 11 | 11.1 | 9.3 | 7.5 | 4 | 5 | 8.1 |
| DF9-13S-1V(69) | CL540-0056-5-69 | 13 | 12.1 | 10.3 | 8.5 | 5 | 6 | 9.1 |
| DF9-15S-1V(69) | CL540-0057-8-69 | 15 | 13.1 | 11.3 | 9.5 | 6 | 7 | 10.1 |
| DF9-17S-1V(69) | CL540-0058-0-69 | 17 | 14.1 | 12.3 | 10.5 | 7 | 8 | 11.1 |
| DF9-19S-1V(69) | CL540-0059-3-69 | 19 | 15.1 | 13.3 | 11.5 | 8 | 9 | 12.1 |
| DF9-21S-1V(69) | CL540-0060-2-69 | 21 | 16.1 | 14.3 | 12.5 | 9 | 10 | 13.1 |
| DF9-23S-1V(69) | CL540-0061-5-69 | 23 | 17.1 | 15.3 | 13.5 | 10 | 11 | 14.1 |
| DF9-25S-1V(69) | CL540-0062-8-69 | 25 | 18.1 | 16.3 | 14.5 | 11 | 12 | 15.1 |
| DF9-31S-1V(69) | CL540-0063-0-69 | 31 | 21.1 | 19.3 | 17.5 | 14 | 15 | 18.1 |
| DF9-41S-1V(69) | CL540-0213-1-69 | 41 | 26.1 | 24.3 | 22.5 | 19 | 20 | 23.1 |
| DF9-51S-1V(69) | CL540-0064-3-69 | 51 | 31.1 | 29.3 | 27.5 | 24 | 25 | 28.1 |

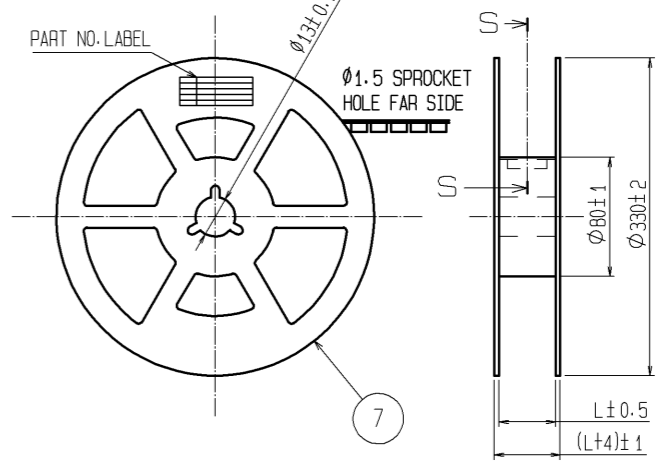
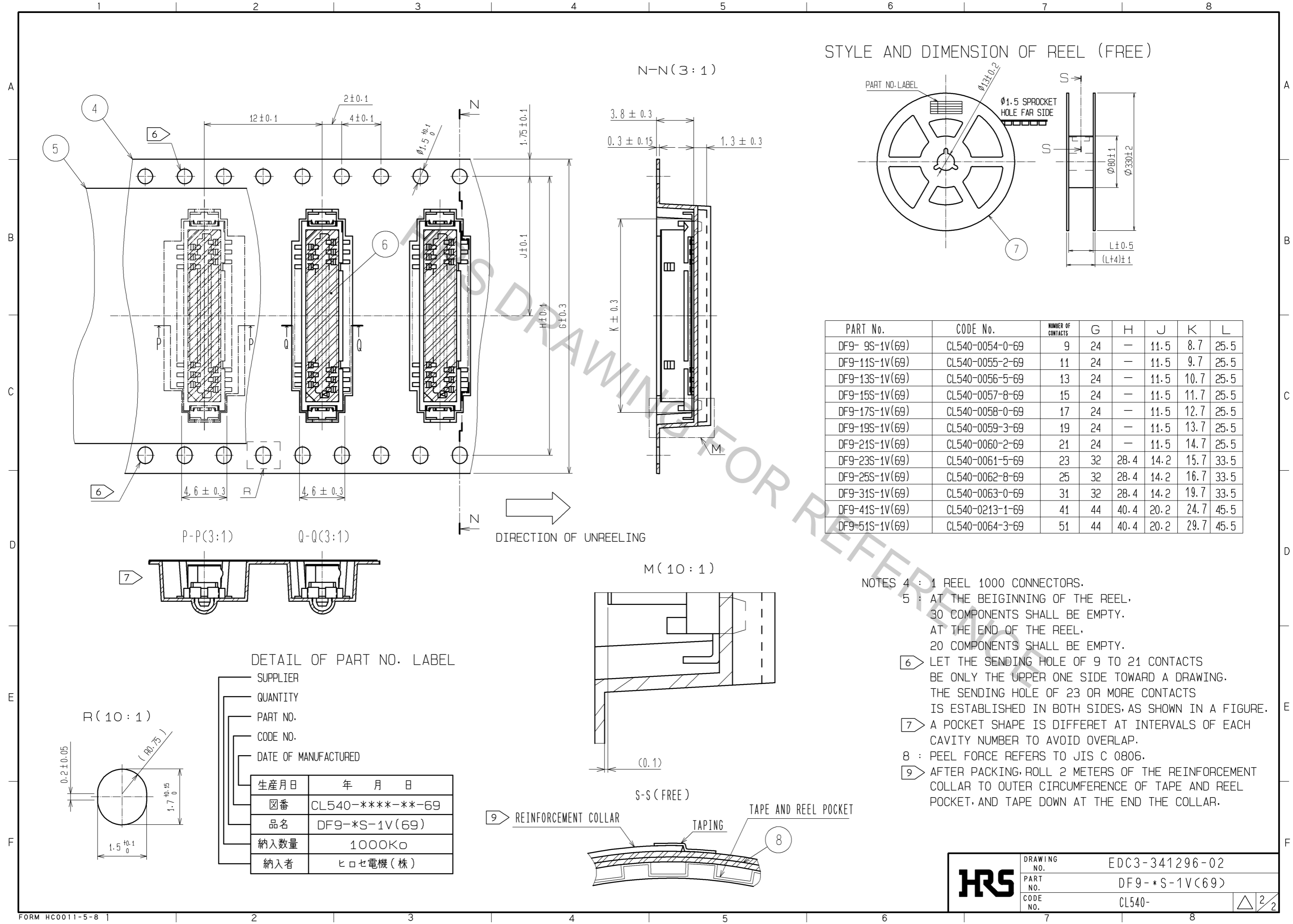
NOTES 1 : LEAD CO-PLANARITY INCLUDE REINFORCED METAL FITTINGS SHALL BE 0.1mm MAX.
 ② HRS MARK AND CAV NO. ARE INDICATED IN APPROX POSITION SHOWN.
 ③ 9 TO 25 CONTACT CONNECTORS HAVE ONE LOCK AT CENTER OF HOUSING.
 31 TO 51 CONTACT CONNECTORS HAVE TWO LOCKS AS PER DRAWING.

| NO. | MATERIAL | FINISH . REMARKS | NO. | MATERIAL | FINISH . REMARKS |
|-----|-----------------|--|-----|-----------|------------------------------|
| 3 | BRASS | SURFACE:TIN PLATED(REFLOW FINISH)1μm min UNDER PLATING:COPPER 0.3μm min | 8 | PS | REINFORCEMENT COLLAR |
| 2 | PHOSPHOR BRONZE | CONTACT AREA:GOLD PLATED 0.2μm min LEAD AREA:TIN PLATED 1μm min UNDER PLATING:NICKEL 0.3μm min | 7 | PS | BLACK(PLASTIC REEL) |
| | | | 6 | POLYIMIDE | BROWN(HEAT-RESISTANCE TAPE) |
| | | | 5 | POLYESTER | CLEAR(COVER TAPE) |
| 1 | POLYAMIDE | BEIGE. UL94V-0 | 4 | PS | CLEAR(EMBOSSED CARRIER TAPE) |

| UNITS | SCALE | COUNT | DESCRIPTION OF REVISIONS | DESIGNED | CHECKED | DATE |
|-------|-------|-------|--------------------------|----------|---------|------|
| mm | 5 : 1 | △ | | | | |

| | | | |
|-------------------------|----------|-------------|----------------|
| APPROVED : KH. IKEDA | 11.12.28 | DRAWING NO. | EDC3-341296-02 |
| CHECKED : AR. TAKAHASHI | 11.12.28 | PART NO. | DF9-*S-1V(69) |
| DESIGNED : SH. HOSODA | 11.12.27 | CODE NO. | CL540- |
| DRAWN : KR. AJITO | 11.12.27 | | |

STYLE AND DIMENSION OF REEL (FREE)



| PART No. | CODE No. | NUMBER OF CONTACTS | G | H | J | K | L |
|----------------|-----------------|--------------------|----|------|------|------|------|
| DF9- 9S-1V(69) | CL540-0054-0-69 | 9 | 24 | — | 11.5 | 8.7 | 25.5 |
| DF9-11S-1V(69) | CL540-0055-2-69 | 11 | 24 | — | 11.5 | 9.7 | 25.5 |
| DF9-13S-1V(69) | CL540-0056-5-69 | 13 | 24 | — | 11.5 | 10.7 | 25.5 |
| DF9-15S-1V(69) | CL540-0057-8-69 | 15 | 24 | — | 11.5 | 11.7 | 25.5 |
| DF9-17S-1V(69) | CL540-0058-0-69 | 17 | 24 | — | 11.5 | 12.7 | 25.5 |
| DF9-19S-1V(69) | CL540-0059-3-69 | 19 | 24 | — | 11.5 | 13.7 | 25.5 |
| DF9-21S-1V(69) | CL540-0060-2-69 | 21 | 24 | — | 11.5 | 14.7 | 25.5 |
| DF9-23S-1V(69) | CL540-0061-5-69 | 23 | 32 | 28.4 | 14.2 | 15.7 | 33.5 |
| DF9-25S-1V(69) | CL540-0062-8-69 | 25 | 32 | 28.4 | 14.2 | 16.7 | 33.5 |
| DF9-31S-1V(69) | CL540-0063-0-69 | 31 | 32 | 28.4 | 14.2 | 19.7 | 33.5 |
| DF9-41S-1V(69) | CL540-0213-1-69 | 41 | 44 | 40.4 | 20.2 | 24.7 | 45.5 |
| DF9-51S-1V(69) | CL540-0064-3-69 | 51 | 44 | 40.4 | 20.2 | 29.7 | 45.5 |

- NOTES
- 4 : 1 REEL 1000 CONNECTORS.
 - 5 : AT THE BEIGINN OF THE REEL, 30 COMPONENTS SHALL BE EMPTY. AT THE END OF THE REEL, 20 COMPONENTS SHALL BE EMPTY.
 - 6 : LET THE SENDING HOLE OF 9 TO 21 CONTACTS BE ONLY THE UPPER ONE SIDE TOWARD A DRAWING. THE SENDING HOLE OF 23 OR MORE CONTACTS IS ESTABLISHED IN BOTH SIDES, AS SHOWN IN A FIGURE.
 - 7 : A POCKET SHAPE IS DIFFERET AT INTERVALS OF EACH CAVITY NUMBER TO AVOID OVERLAP.
 - 8 : PEEL FORCE REFERS TO JIS C 0806.
 - 9 : AFTER PACKING, ROLL 2 METERS OF THE REINFORCEMENT COLLAR TO OUTER CIRCUMFERENCE OF TAPE AND REEL POCKET, AND TAPE DOWN AT THE END THE COLLAR.

DETAIL OF PART NO. LABEL

- SUPPLIER
- QUANTITY
- PART NO.
- CODE NO.
- DATE OF MANUFACTURED

| | |
|------|------------------|
| 生産月日 | 年月日 |
| 図番 | CL540-****-**-69 |
| 品名 | DF9-*S-1V(69) |
| 納入数量 | 1000K \square |
| 納入者 | ヒロセ電機(株) |

| | | |
|------------|-------------|----------------|
| HRS | DRAWING NO. | EDC3-341296-02 |
| | PART NO. | DF9-*S-1V(69) |
| | CODE NO. | CL540- |