

4

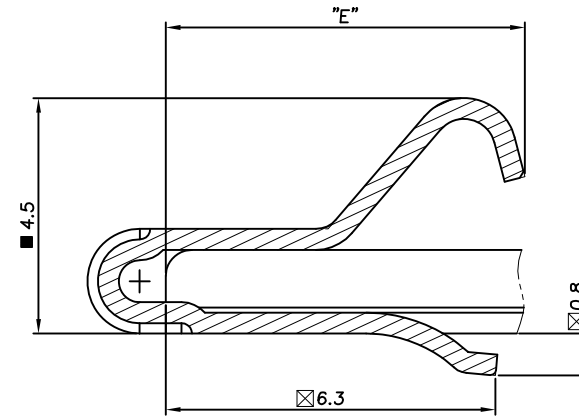
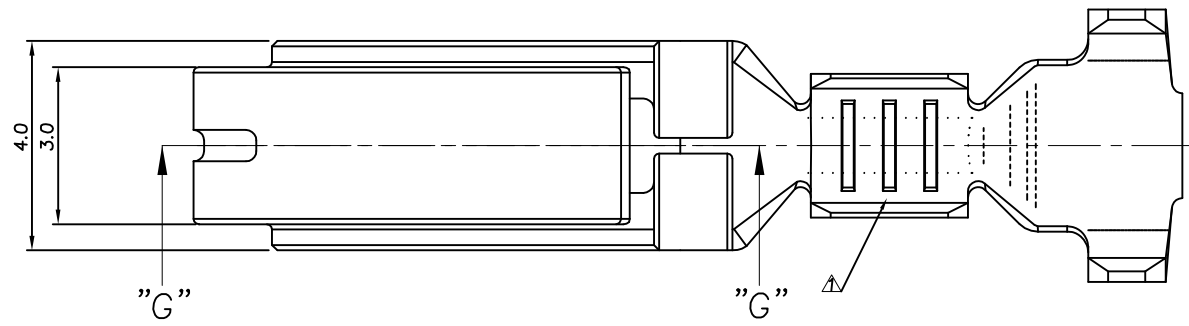
3

2

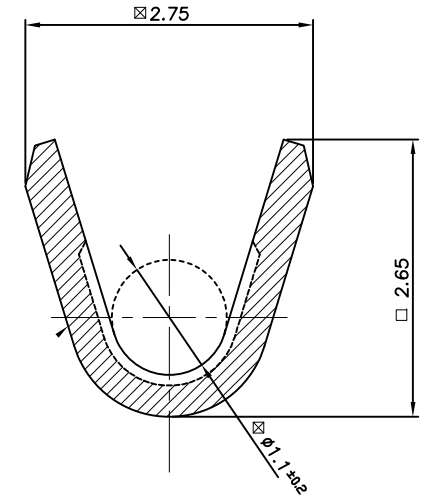
1

THIS DRAWING IS UNPUBLISHED. RELEASED FOR PUBLICATION
© COPYRIGHT BY TYCO ELECTRONICS CORPORATION, ALL RIGHTS RESERVED.

LOC		DIST		REVISIONS				DATE	DWN	APVD
DS	-	P	LTR	DESCRIPTION						
		A		RELEASED			12.JAN.'10	IS	HG	

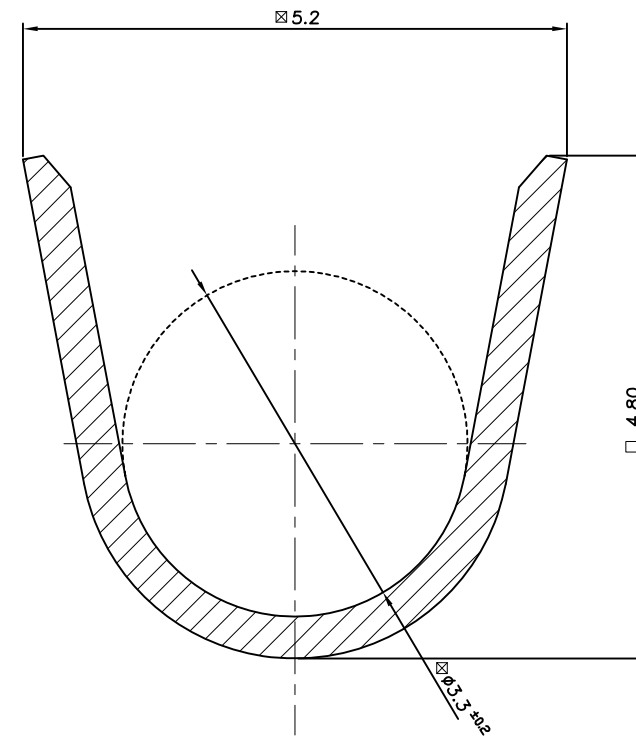


SECTION "G-G"



SECTION "D-D"

Scale 20/1

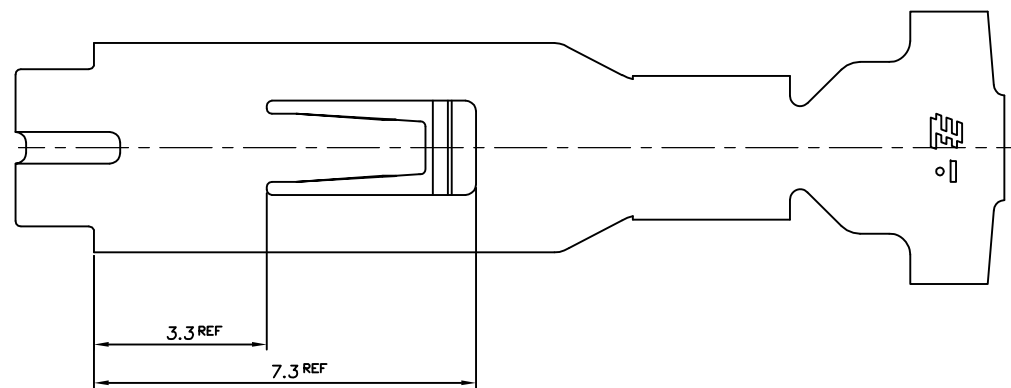
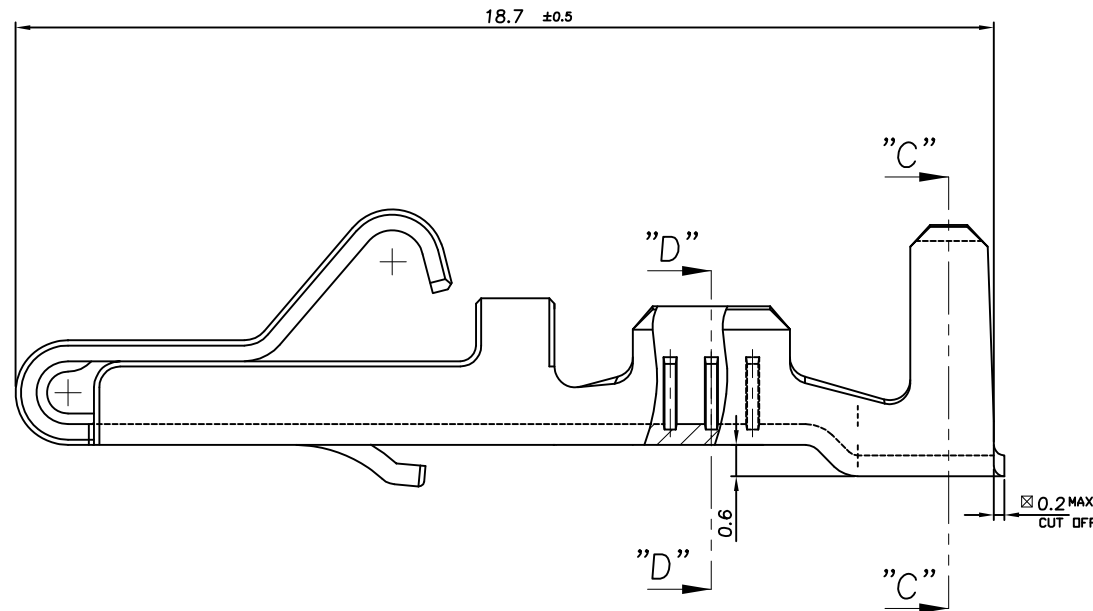


SECTION "C-C"

Scale 20/1

* NOTES

- ▲ THREE SERRATIONS CENTERED IN WIRE BARREL.
- 2 WIRE SIZE EQUIV AVS 0.5~ AVS 0.85 Sqmm.



DIM "E"	FINISH	MATERIAL	PART NUMBER
5.68	PRE-TINNED	Cu Alloy 0.40THK.	1-2005163-1
6.86	PRE-TINNED	Cu Alloy 0.40THK.	2005163-1

THIS DRAWING IS A CONTROLLED DOCUMENT FOR TYCO ELECTRONICS CORPORATION. IT IS SUBJECT TO CHANGE AND THE CONTROLLING ENGINEERING ORGANIZATION SHOULD BE CONTACTED FOR THE LATEST REVISION.

DIMENSIONS: MM	TOLERANCES UNLESS OTHERWISE SPECIFIED: ±0.3	DWN IS WOO	NAME
Ø PLG ±	PLG ±	CHK JW JUNG	Tyco Electronics
PLG ±	PLG ±	APVD HG CHO	AMP KOREA, kyungsan, korea
PLG ±	PLG ±	PRODUCT SPEC -	RECEPTACLE FOR T-20 BULB ASS'Y
PLG ±	PLG ±	APPLICATION SPEC -	SIZE CAGE CODE DRAWING NO RESTRICTED TO
ANGLES ± 2°	FINISH -	WEIGHT -	A200779C=2005163
MATERIAL -	FINISH -	CUSTOMER DRAWING	SCALE 10/1 SHEET 1 OF 1 REV A