

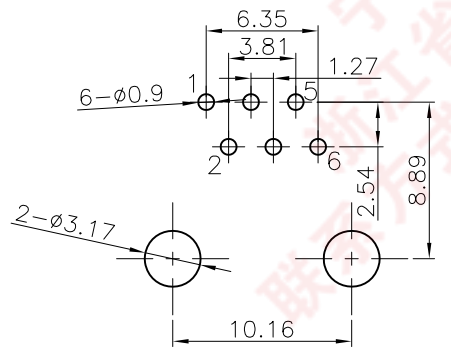
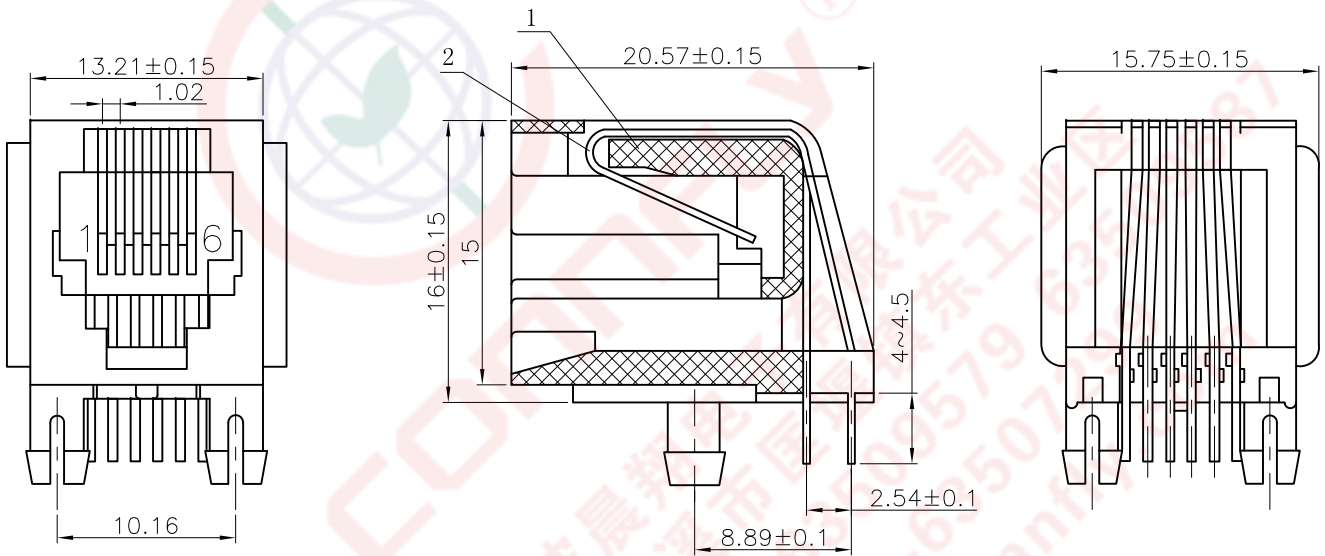
REV.	DESCRIPTION	DRAWN	CHECKED	APPROVED
A	NEW RELEASE	LL 06/26/06'		LJC 06/26/06'
B	PLATING CHANGE	JLZ 07/20/15'	HZW 07/20/15'	LJC 07/20/15'

SPECIFICATION

- Insulation Resistance:1000MΩ Min.
- Withstand Voltage:500V AC/Minute.
- Durability:600 Mating Cycles Min.
- Product Number Code:

DS1133-01-X X X X X X

- Ear Support
S:W/ Ear
X:W/O Ear
- Housing Materials
P:PBT
N:NYLON
- Housing Color
B:Black
- Contact Plating
0:Selective gold flash ②
3:3u" Gold
6:6u" Gold
15:15u" Gold
30:30u" Gold
- No.Of Contacts
4:6P4C
6:6P6C
- Connector Type
S:Socket
- Series No.
DS1133-01



RECOMMEND PCB LAYOUT
TOLERANCE=±0.05mm

GENERAL TOLERANCE		ANGLE TOLERANCE	
X.	±0.60	X.	±5°
.X	±0.38	.X	±3°
.XX	±0.25	.XX	±2°

PROJECTION	TITLE	PCB JACK 6P	
	mm		
SHEET SIZE	A4	SERIES	DS1133-01 SERIES

No.	PART NAME	Q'TY	MATERAIL	REMARK
(2)	PIN		PHOSPHOR BRONZE	GOLD-PLATING OVER NICKEL
(1)	HOUSING	1	PBT OR NYLON	UL94 V-0 OR 94 V-2

DRAWING TYPE	CUSTOMER		
SCALE	1:1	SHEET	1 OF 1
DRAWING NO.	C-DS1133-01-XXXXXX-B		

晨翔电子有限公司
CONNFLY CONNFLY ELECTRONIC CO. LTD