

MATERIALS AND FINISHES

BODY, ZINC ALLOY
PLATED TIN

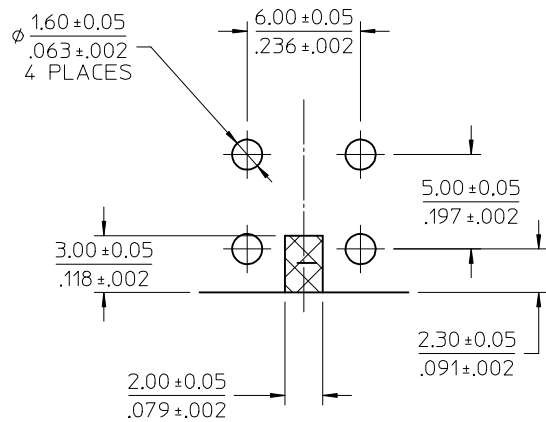
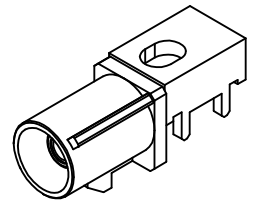
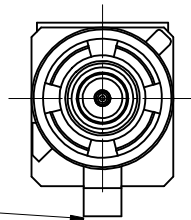
CENTER CONTACT, BRASS
PLATED GOLD

OUTER CASING, HIGH TEMPERATURE PLASTIC
KEYING SEE TABLE
COLOR SEE TABLE

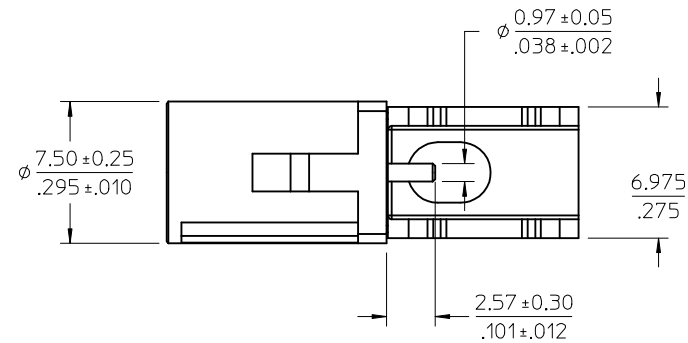
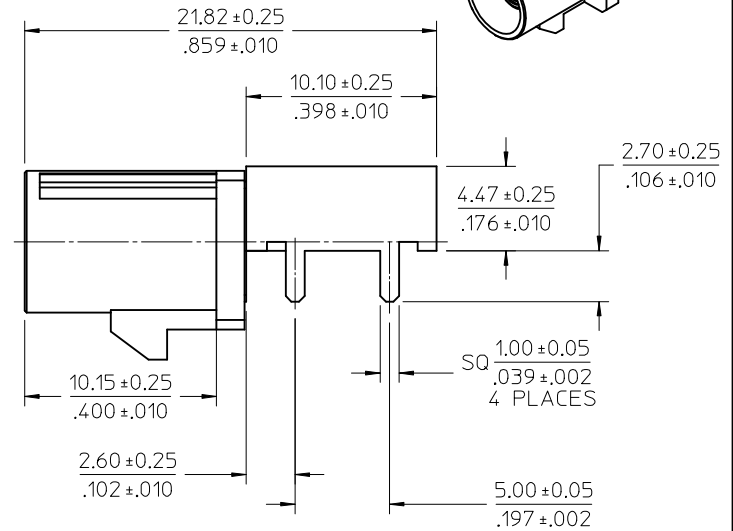
INSULATOR, TEFLON

PACKAGING BY TRAY

FAKRA
CONNECTOR
KEYING
CODE I SHOWN



PCB RECOMMENDED LAYOUT



PS-89675-3310	PRODUCT SPECIFICATION
MIL-STD-348A, FIG. 311.1	INTERFACE SPECIFICATION
SPECIFICATION	DESCRIPTION

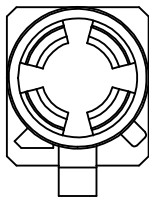
RTM PDR0912463	EC NO: URF2011-0345	2010/11/10
	DRWNLIN	2010/11/10
A	CHKD:	2010/12/31
	APPR:MHUANG	2010/12/31

QUALITY SYMBOLS	GENERAL TOLERANCES (UNLESS SPECIFIED)															
$\nabla=0$ $\nabla=0$	<table border="1"> <tr> <th></th> <th>mm</th> <th>INCH</th> </tr> <tr> <td>4 PLACES</td> <td>\pm ---</td> <td>\pm ---</td> </tr> <tr> <td>3 PLACES</td> <td>\pm ---</td> <td>\pm ---</td> </tr> <tr> <td>2 PLACES</td> <td>\pm ---</td> <td>\pm ---</td> </tr> <tr> <td>1 PLACE</td> <td>\pm ---</td> <td>\pm ---</td> </tr> </table>		mm	INCH	4 PLACES	\pm ---	\pm ---	3 PLACES	\pm ---	\pm ---	2 PLACES	\pm ---	\pm ---	1 PLACE	\pm ---	\pm ---
	mm	INCH														
4 PLACES	\pm ---	\pm ---														
3 PLACES	\pm ---	\pm ---														
2 PLACES	\pm ---	\pm ---														
1 PLACE	\pm ---	\pm ---														
	ANGULAR $\pm 2^\circ$															

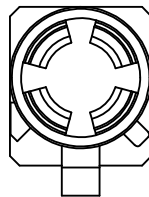
DRAFT WHERE APPLICABLE MUST REMAIN WITHIN DIMENSIONS
--

DIMENSION STYLE	SCALE	DESIGN UNITS	THIRD ANGLE PROJECTION
MM/IN		METRIC	
DRAWN BY	DATE	TITLE	
EVITA	2009/12/14	SMB JACK, FAKRA R/A PCB, 50 OHMS WITH DOWN LATCH SMB-J/PCB/RA	
CHECKED BY	DATE		
KERRIE	2009/12/14		
APPROVED BY	DATE		
MHUANG	2010/12/31		
MATERIAL NO.	DOCUMENT NO.		
SEE TABLE	SD-73403-554		

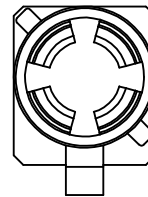
MATERIAL NO.	DOCUMENT NO.	SHEET NO.
SEE TABLE	SD-73403-554	1 OF 3
THIS DRAWING CONTAINS INFORMATION THAT IS PROPRIETARY TO MOLEX INCORPORATED AND SHOULD NOT BE USED WITHOUT WRITTEN PERMISSION		



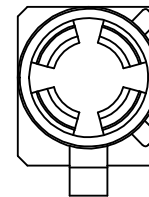
CODE-A



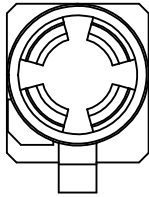
CODE-B



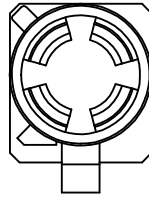
CODE-C



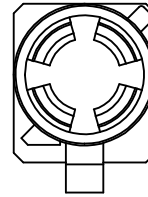
CODE-D



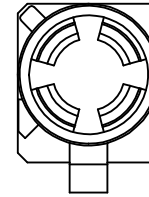
CODE-E



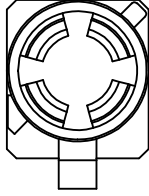
CODE-F



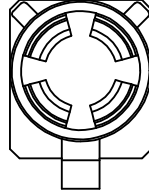
CODE-G



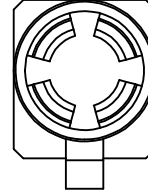
CODE-H



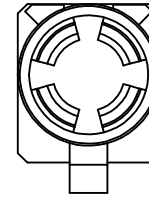
CODE-I



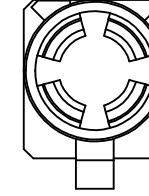
CODE-K



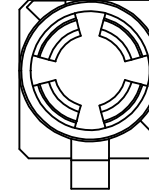
CODE-Z



CODE-L



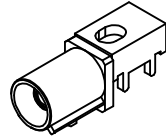
CODE-M



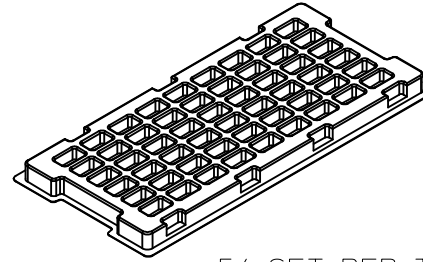
CODE-N

N	PASTEL GREEN	73403-5553
M	PASTEL ORANGE	73403-5552
L	CARMINE RED	73403-5551
Z	WATER BLUE	73403-5550
K	CURRY YELLOW	73403-5549
I	BEIGE	73403-5548
H	VIOLET	73403-5547
G	GRAY	73403-5546
F	BROWN	73403-5545
E	GREEN	73403-5544
D	BORDEAUXVIOLET	73403-5543
C	BLUE	73403-5542
B	NATURAL	73403-5541
A	BLACK	73403-5540
KEYING CODE	COLOR	PART NO.

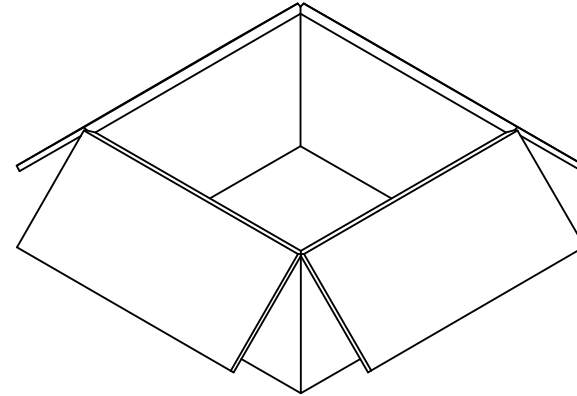
SEE SHEET 1 EC NO: URF2011-0345 DRAWN IN: 2010/11/10 CHKD: DRWNLIN APPR: MHUANG 2010/12/31	QUALITY SYMBOLS ▽=0 ▽=0	GENERAL TOLERANCES (UNLESS SPECIFIED) <table border="1"> <tr> <td></td> <td>mm</td> <td>INCH</td> </tr> <tr> <td>4 PLACES</td> <td>± ---</td> <td>± ---</td> </tr> <tr> <td>3 PLACES</td> <td>± ---</td> <td>± ---</td> </tr> <tr> <td>2 PLACES</td> <td>± ---</td> <td>± ---</td> </tr> <tr> <td>1 PLACE</td> <td>± ---</td> <td>± ---</td> </tr> </table>		mm	INCH	4 PLACES	± ---	± ---	3 PLACES	± ---	± ---	2 PLACES	± ---	± ---	1 PLACE	± ---	± ---	DIMENSION STYLE MM/IN	SCALE DESIGN UNITS METRIC	THIRD ANGLE PROJECTION
		mm	INCH																	
	4 PLACES	± ---	± ---																	
	3 PLACES	± ---	± ---																	
2 PLACES	± ---	± ---																		
1 PLACE	± ---	± ---																		
DRAFT WHERE APPLICABLE MUST REMAIN WITHIN DIMENSIONS	DRAWN BY: EVITA DATE: 2009/12/14 CHECKED BY: KERRIE DATE: 2009/12/14 APPROVED BY: MHUANG DATE: 2010/12/31	TITLE SMB JACK, FAKRA R/A PCB, 50 OHMS WITH DOWN LATCH SMB-J/PCB/RA	MOLEX INCORPORATED																	
MATERIAL NO. SEE TABLE SIZE C	DOCUMENT NO. SD-73403-554	SHEET NO. 2 OF 3	THIS DRAWING CONTAINS INFORMATION THAT IS PROPRIETARY TO MOLEX INCORPORATED AND SHOULD NOT BE USED WITHOUT WRITTEN PERMISSION																	



P/N 73403-554X



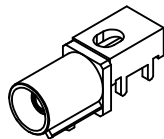
54 SET PER TRAY
 TRAY P/N 89707-0220
 360*165*18.6



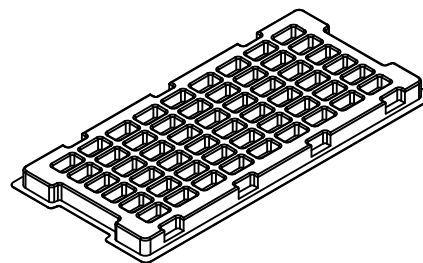
1080 SET PER OUTER
 CARTON BOX
 P/N 96708-0005
 383*386*196

540 SET PER INNER
 CARTON BOX
 P/N 96707-0001
 363*176*176

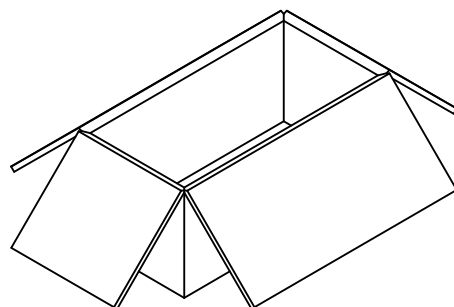
SEE SHEET 1 EC NO: URF2011-0345 DRWNLIN 2010/11/10 CHKD: APPR:MHUANG 2010/12/31	DESCRIPTION 2010/12/31	QUALITY SYMBOLS	GENERAL TOLERANCES (UNLESS SPECIFIED)		DIMENSION STYLE		SCALE	DESIGN UNITS	THIRD ANGLE PROJECTION			
		▼=0 ▽=0	mm	INCH	MM/IN		METRIC					
			4 PLACES ± --- ± ---	3 PLACES ± --- ± ---	DRAWN BY	DATE	TITLE					
			2 PLACES ± --- ± ---	1 PLACE ± --- ± ---	EVITA	2009/12/14	SMB JACK, FAKRA R/A PCB, 50 OHMS WITH DOWN LATCH SMB-J/PCB/RA					
		ANGULAR ± 2 °	DRAFT WHERE APPLICABLE MUST REMAIN WITHIN DIMENSIONS		APPROVED BY		DATE	MOLEX INCORPORATED				
					MHUANG		2010/12/31	SD-73403-554				
					MATERIAL NO.		DOCUMENT NO.	SHEET NO.				
					-----			3 OF 3				
					SIZE		THIS DRAWING CONTAINS INFORMATION THAT IS PROPRIETARY TO MOLEX INCORPORATED AND SHOULD NOT BE USED WITHOUT WRITTEN PERMISSION					
					C							



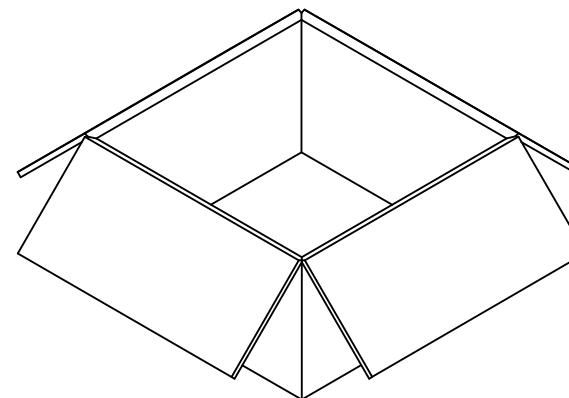
P/N 73403-554X



54 SET PER TRAY
TRAY P/N 89707-0220
360*165*18.6



540 SET PER INNER
CARTON BOX
P/N 96707-0001
363*176*176



1080 SET PER OUTER
CARTON BOX
P/N 96708-0005
383*386*196

ADDED PACKAGE DIM. EC NO: URF2011-0345 2010/11/12 DRAWN BY ELIN 2010/02/04	DESCRIPTION 2010/12/31 CHKD: IDRWINELIN APPR:MHUANG	QUALITY SYMBOLS	GENERAL TOLERANCES (UNLESS SPECIFIED)		DIMENSION STYLE MM/IN		SCALE	DESIGN UNITS METRIC	THIRD ANGLE PROJECTION																
		 =0 =0	<table border="1"> <thead> <tr> <th></th> <th>mm</th> <th>INCH</th> </tr> </thead> <tbody> <tr> <td>4 PLACES</td> <td>± ---</td> <td>± ---</td> </tr> <tr> <td>3 PLACES</td> <td>± ---</td> <td>± ---</td> </tr> <tr> <td>2 PLACES</td> <td>± ---</td> <td>± ---</td> </tr> <tr> <td>1 PLACE</td> <td>± ---</td> <td>± ---</td> </tr> </tbody> </table>		mm	INCH	4 PLACES	± ---	± ---	3 PLACES	± ---	± ---	2 PLACES	± ---	± ---	1 PLACE	± ---	± ---	ANGULAR ± 2 °		DRAWN BY ELIN DATE 2010/02/04		TITLE PACKAGING FOR 73403-554*		
	mm	INCH																							
4 PLACES	± ---	± ---																							
3 PLACES	± ---	± ---																							
2 PLACES	± ---	± ---																							
1 PLACE	± ---	± ---																							
DRAFT WHERE APPLICABLE MUST REMAIN WITHIN DIMENSIONS			APPROVED BY MHUANG DATE 2010/12/31		MATERIAL NO. -----		MOLEX INCORPORATED		SHEET NO. 1 OF 1																
			SIZE C		THIS DRAWING CONTAINS INFORMATION THAT IS PROPRIETARY TO MOLEX INCORPORATED AND SHOULD NOT BE USED WITHOUT WRITTEN PERMISSION																				