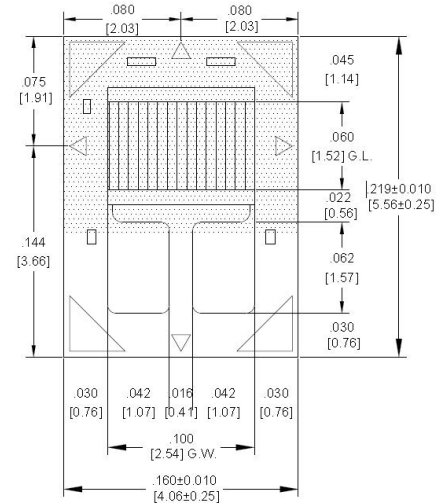


Main properties

- High performance linear Strain Gage with pre-attached thin cable
- 350Ω grid for reduction of self-heating and thermal induced errors. Grid length: 60[mils]
- Strain Gage is pre-wired with 30AWG, PVC coated, color coded flat cable in 2 wire configuration 3ft
- Gage and wires standard operating temperature up to 80°C
- Easy to use packaging with engineering data
- RoHS compliance



Item		Value
Grid length		0.060" [1.52mm]
Resistance		350±0.3%
Gage Factor		2.07
Transverse Sensitivity		0.53%
Operating Temperature		Up to 80°C
Gage Structure	Backing	Polyimide, 20µm
	Resistive Foil	Constantan
	Encapsulation	Polyimide*
Thermal performance coefficients on package, per gage lot		

*As a standard, where applicable

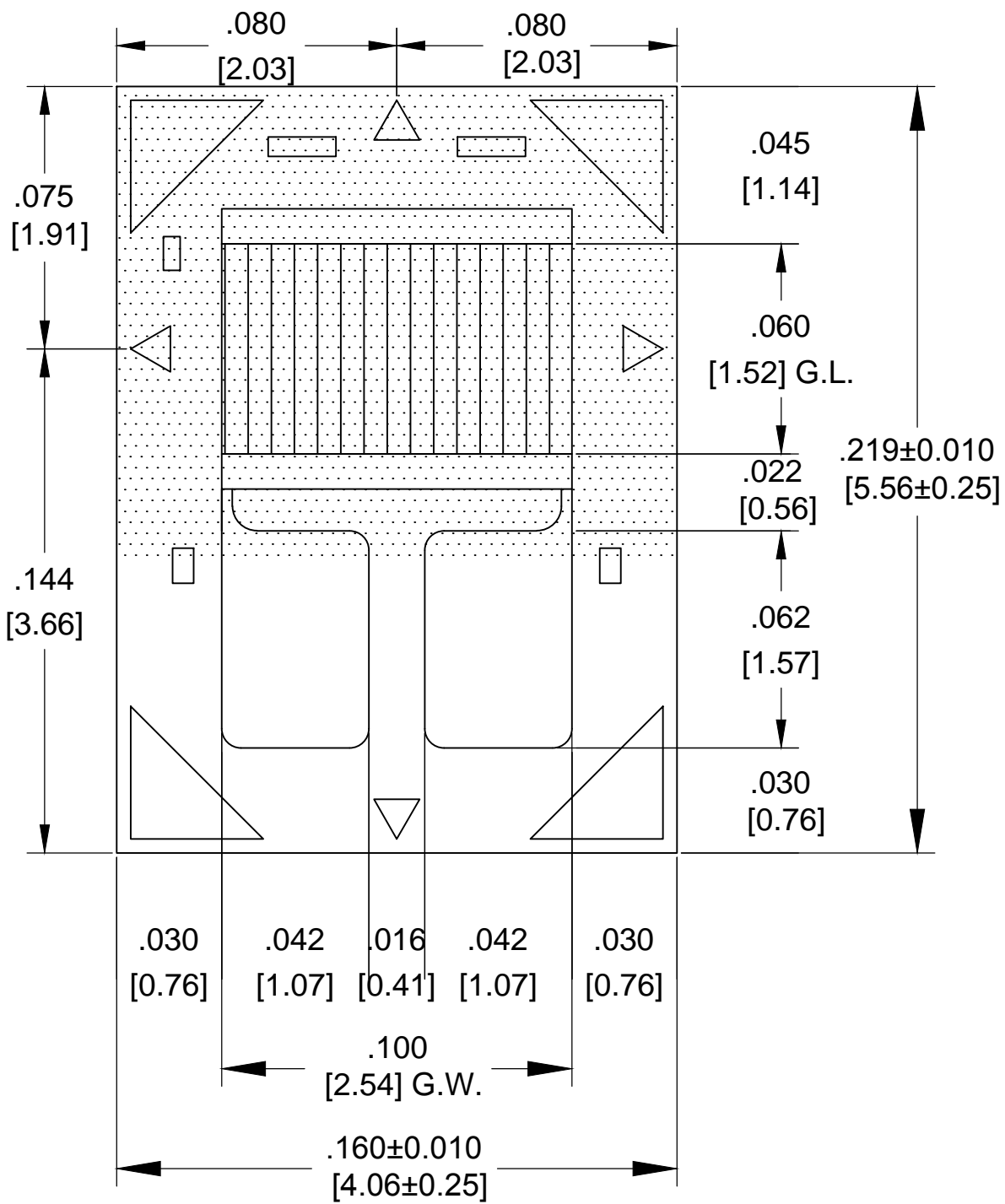
** GF and TS values are for A83 ingot, for other ingots slight variations are possible, indicated on package

Wires

- Flat cable of 30AWG wires, PVC insulated, thin and flexible for easy handling
- Stripped and tinned at ends for easy integration directly to DAQ terminals
- Operating temperature up to 80 °C
- Color coding:

Grid 1	
Pad A	Pad B
White wire	Red Wire

For technical questions, contact mm.as@vpgsensors.com



DIMENSIONS TOLERANCE IS ±.0025 [±0.06]

THESE DRAWINGS/SPECIFICATIONS ARE THE EXCLUSIVE PROPERTY OF MICRO-MEASUREMENTS. THEY SHALL NOT BE REPRODUCED OR COMMUNICATED TO OTHERS, IN WHOLE OR IN PART, NOR BE USED AS A BASIS FOR MANUFACTURE OR SALE OF THE ITEMS REPRESENTED, WITHOUT THE WRITTEN PERMISSION OF MICRO-MEASUREMENTS.



Micro-Measurements
Raleigh, North Carolina USA



060SL PATTERN LAYOUT

CONSTRUCTION: C4A	OPTIONS:
RESISTANCE: 350±0.3% 120±0.3%	REFERENCE:

DRAWN BY: OS	DATE: 2018-02-28	SCALE: N.T.S.	ALL DIMENSIONS ARE IN INCHES [mm].
PROJ. ENG. AH	DATE: 2018-02-28	DWG. # MS-060SL-10521	REVISION: ~

Advanced Sensors 'C4A Series' Packaging

1. Micro-Measurements Advanced Sensors C4A Strain Gages are packaged in a rugged carton box for product protection and ease of usage:



Engineering data is on the backside label

2. Standard package includes 10 gages per box, each gage is packaged in an individual Anti-Static bag:



3. Gage is protected within an Acetate folder. Wire is winded into a coil and binded with a tie twist for easy wire handling:



For technical questions, contact mm@vpgsensors.com