

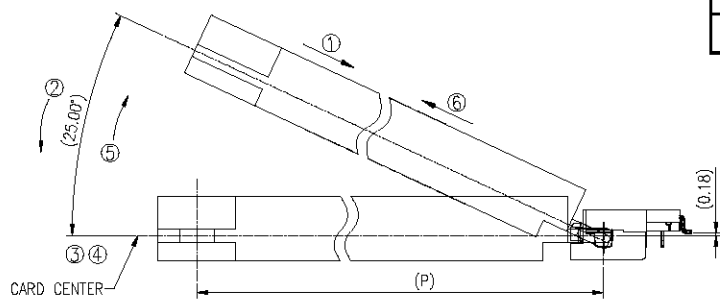
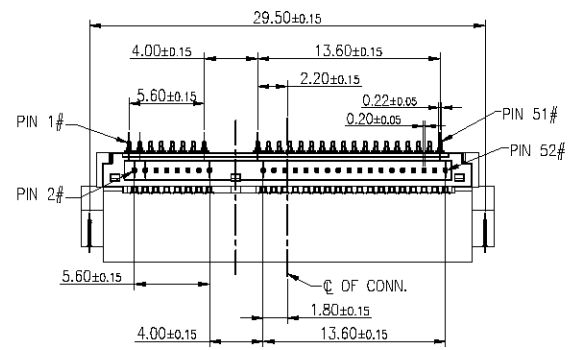
1 2 3 4 5 6 7 8

REV.	MODIFICATION	DATE	DRAW
A	INITIAL RELEASE	2013.10.15	Coco
B	ECN-2015004	2015.02.09	Vincent

HALOGEN FREE **LEAD FREE**

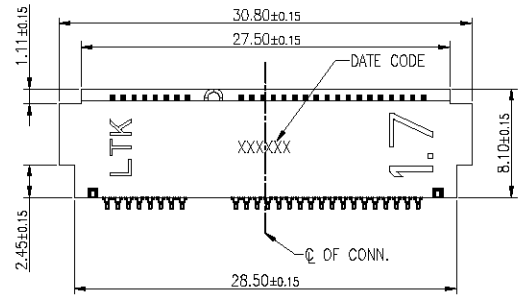
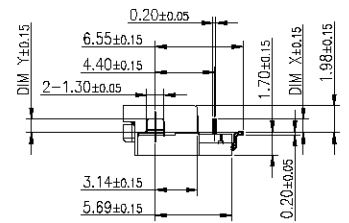
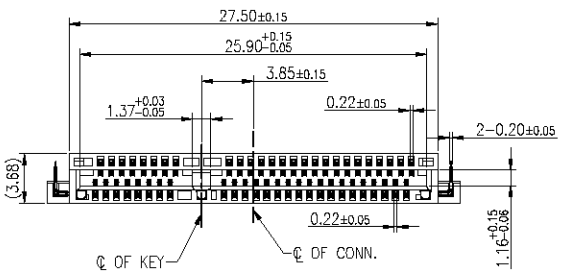
A
B
C
D
E
F

A
B
C
D
E
F



MATING: ① INSERTING(25°) → ② ROTATING → ③ FIXED
UNMATING: ④ UNFIXED → ⑤ ROTATING → ⑥ WITHDRAWING

NOTES:
1. MATERIAL:
HOUSING: THERMOPLASTIC, BLACK COLOR, FLAME RESISTANCE UL94V-0.
CONTACTS: COPPER ALLOY, THICKNESS 0.20mm.
SOLDER PEGS: COPPER ALLOY, THICKNESS 0.20mm.
2. MSL LEVEL:
MSL(MOISTURE SENSITIVITY LEVELS)=1
3. FINISHED:
CONTACTS: GOLD PLATING ON CONTACT AND
50~120u" MATTE TIN PLATING ON THE SOLDER AREA.
30~120u" NICKEL UNDER PLATED OVER ALL.
SOLDER PEGS: 50~120u" MATTE TIN PLATING OVER ALL.
50~120u" NICKEL UNDER PLATED OVER ALL.
4. PART NUMBER:
MPCET-SSXXX-XX17
TP:TAPE REEL(NORMAL DIRECTION)
TS:TAPE REEL(REVERSE DIRECTION)
A: DIM X=1.00, DIM Y=1.00;
REEL W:44.0mm.PITCH:16.0mm
B: DIM X=1.70, DIM Y=1.70;
REEL W:44.0mm.PITCH:16.0mm
E: DIM X=1.30, DIM Y=1.00;
REEL W:56.0mm.PITCH:20.0mm
01:GOLD FLASH
05: 5u"MIN.
10:10u"MIN.
15:15u"MIN.
30:30u"MIN.

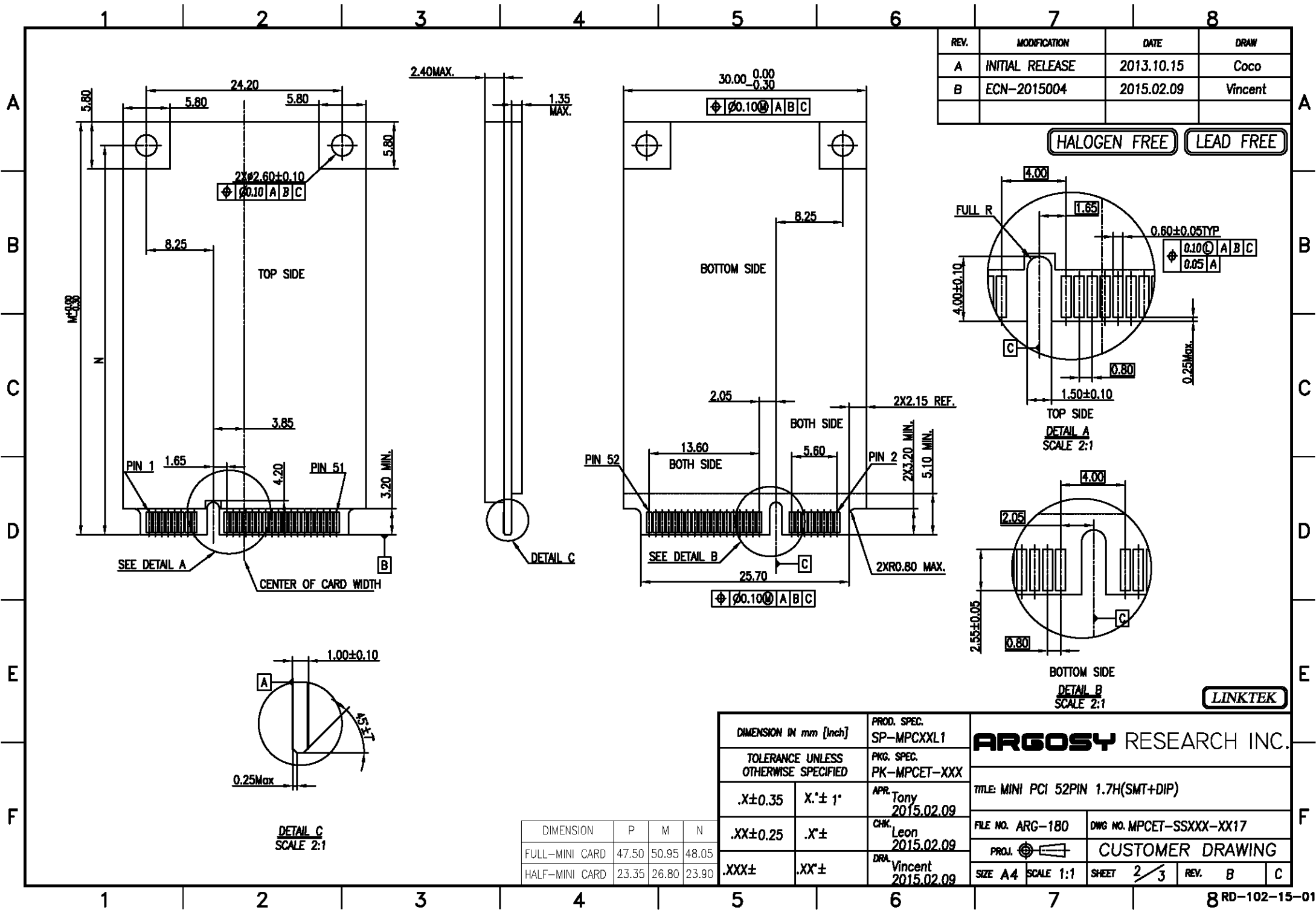


1 2 3 4 5 6 7 8

DIMENSION IN mm [Inch]		PROD. SPEC.
TOLERANCE UNLESS OTHERWISE SPECIFIED		SP-MPCXXL1
		PKG. SPEC.
		PK-MPCET-XXX
.X±0.35	X.*± 1*	APR. Tony 2015.02.09
.XX±0.25	.X*±	CHK. Leon 2015.02.09
.XXX±	.XX*±	DRA. Vincent 2015.02.09

ARGOSY RESEARCH INC.			
TITLE: MINI PCI 52PIN 1.7H(SMT+DIP)			
FILE NO. ARG-180	DWG NO. MPCET-SSXXX-XX17		
PROJ.	CUSTOMER DRAWING		
SIZE A4	SCALE 1:1	SHEET 1/3	REV. B C

LINKTEK



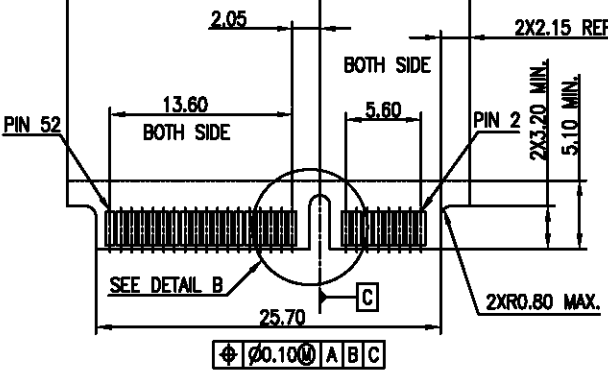
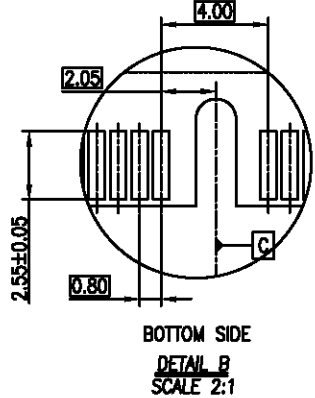
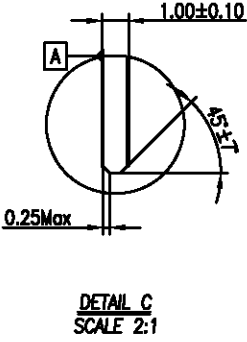
REV.	MODIFICATION	DATE	DRAW
A	INITIAL RELEASE	2013.10.15	Coco
B	ECN-2015004	2015.02.09	Vincent

HALOGEN FREE LEAD FREE

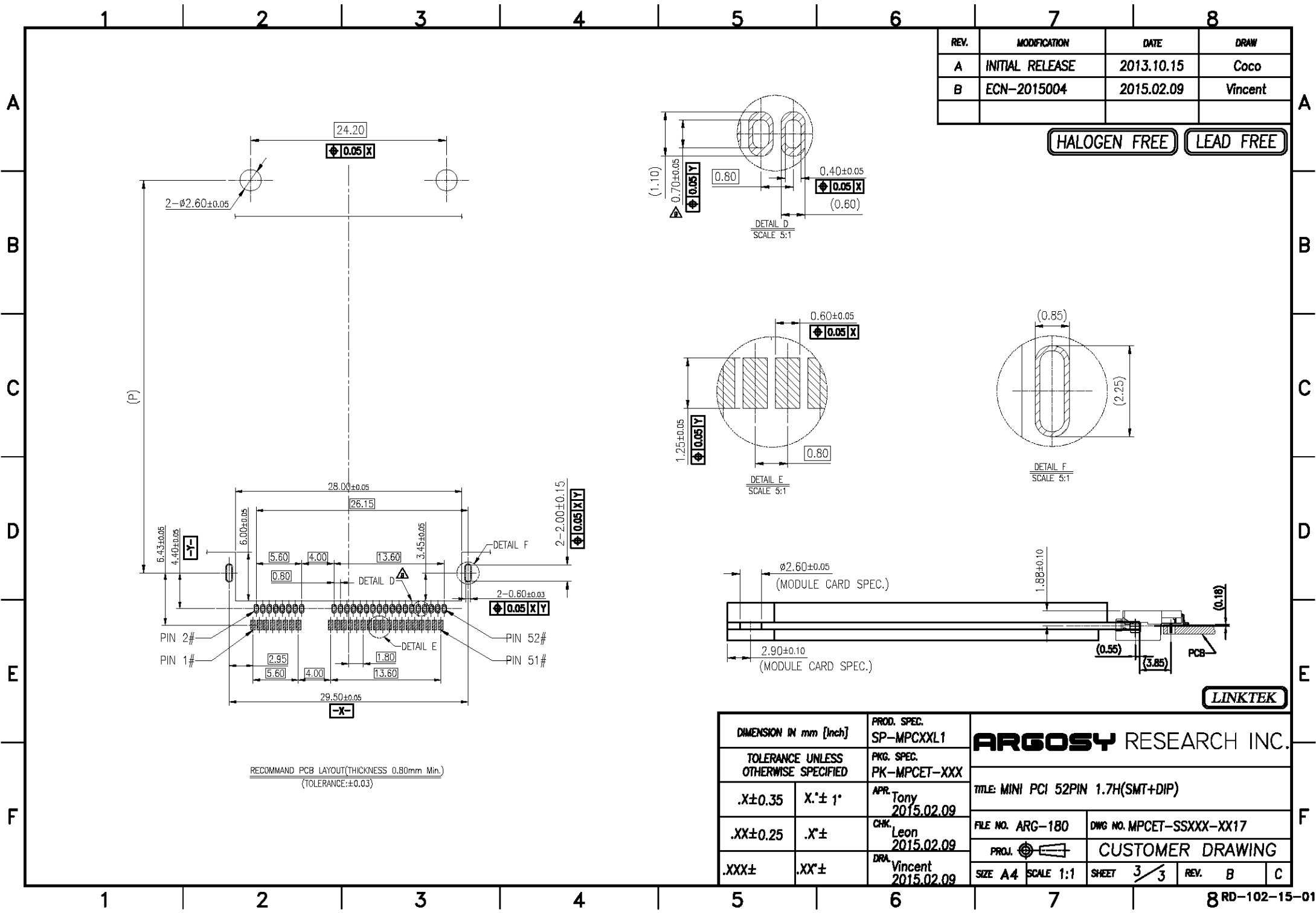
DIMENSION IN mm [Inch]		PROD. SPEC. SP-MPCXXL1
TOLERANCE UNLESS OTHERWISE SPECIFIED		PKG. SPEC. PK-MPCET-XXX
.X±0.35	X."± 1"	APR. Tony 2015.02.09
.XX±0.25	.X"±	CHK. Leon 2015.02.09
.XXX±	.XX"±	DRA. Vincent 2015.02.09

ARGOSY RESEARCH INC.			
TITLE: MINI PCI 52PIN 1.7H(SMT+DIP)			
FILE NO. ARG-180	DWG NO. MPCET-SSXXX-XX17		
PROJ.	CUSTOMER DRAWING		
SIZE A4	SCALE 1:1	SHEET 2/3	REV. B C

DIMENSION	P	M	N
FULL-MINI CARD	47.50	50.95	48.05
HALF-MINI CARD	23.35	26.80	23.90



LINKTEK



REV.	MODIFICATION	DATE	DRAW
A	INITIAL RELEASE	2013.10.15	Coco
B	ECN-2015004	2015.02.09	Vincent

HALOGEN FREE **LEAD FREE**

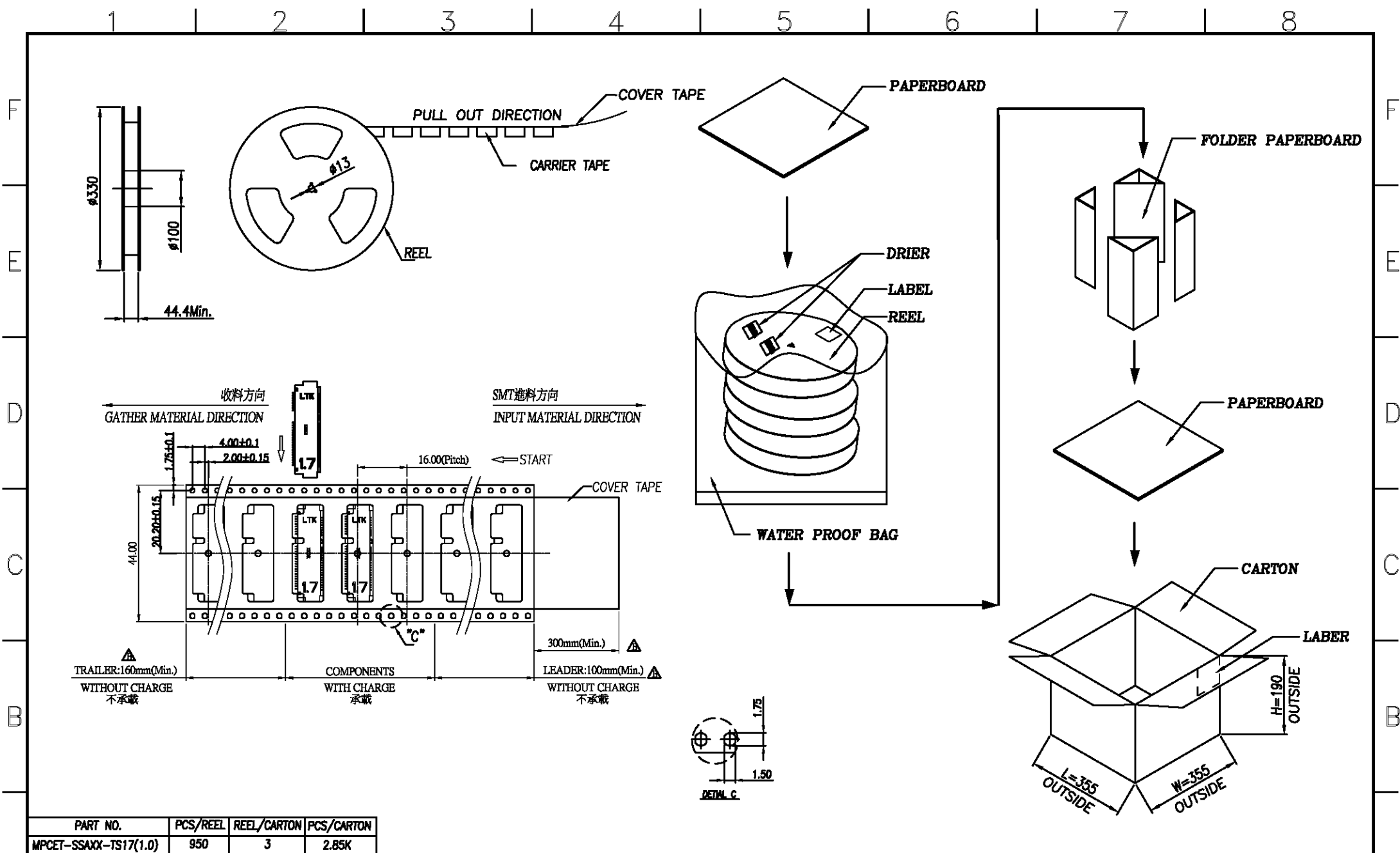
RECOMMEND PCB LAYOUT (THICKNESS 0.80mm Min.)
(TOLERANCE: ±0.03)

DIMENSION IN mm [Inch]		PROD. SPEC. SP-MPCXXL1
TOLERANCE UNLESS OTHERWISE SPECIFIED		PKG. SPEC. PK-MPCET-XXX
.X±0.35	X'± 1"	APR. Tony 2015.02.09
.XX±0.25	.X'±	CHK. Leon 2015.02.09
.XXX±	.XX'±	DRA. Vincent 2015.02.09

ARGOSY RESEARCH INC.

TITLE: MINI PCI 52PIN 1.7H(SMT+DIP)			
FILE NO. ARG-180	DWG NO. MPCET-SSXXX-XX17		
PROJ.	CUSTOMER DRAWING		
SIZE A4	SCALE 1:1	SHEET 3/3	REV. B C

LINKTEK



PART NO.	PCS/REEL	REEL/CARTON	PCS/CARTON
MPCET-SSAXX-TS17(1.0)	950	3	2.85K

ARGOSY RESEARCH INC.
 包裝規範(PACKING LIST)

產品名稱 **PACKING FOR T/P MINI PCI E CARD CONNECTOR 1.70H沉版**
 圖號 **PK-MPCET-013**
 審核 **Tony**
 日期 **2014.08.04**

案號 **ARG-180**
 更改 REV **B**
 張數 **1 / 1**
 製圖 **Vincent**
 日期 **2014.08.04**

圖紙 SIZE **A4**

更改 REV	ECN-2014013 INITIAL RELEASE	2014.08.04 2013.10.15	Vincent Coco
	設變內容 MODIFICATION	日期 DATE	修改 DRAW