

REV.	MODIFICATION	DATE	DRAW
A	INITIAL RELEASE	2015.10.27	Vincent

**HALOGEN FREE** **LEAD FREE**

NOTES:

- MATERIAL:  
HOUSING: THERMOPLASTIC, BLACK COLOR, FLAME RESISTANCE UL94-V0.  
CONTACT: COPPER ALLOY.  
SOLDER PEGS: COPPER ALLOY.
- FINISHED:  
CONTACTS: GOLD PLATING ON CONTACT AREA.(SEE P/N)  
1u"~3u" AU ON THE SOLDER AREA.  
50~150u" NICKEL PLATING OVER ALL.  
SOLDER PEGS: 50~120u" MATTE TIN PLATING OVER ALL.  
50~120u" NICKEL UNDER PLATED OVER ALL.
- MSL LEVEL:  
MSL(MOISTURE SENSITIVITY LEVEL)=1.
- PART NUMBER:  
NXSB0-S67XX-XX50X

F: REEL W:32.0mm  
A: REEL W:44.0mm  
0: Number Zero

XX: CONTACT AREA GOLD PLATING  
01: Gold Flash  
05: 5U"Min.  
10: 10U"Min.  
15: 15U"Min.  
20: 20U"Min.  
30: 30U"Min.

No: Have LTK Logo  
+: No LTK Logo  
XX: CONNECTOR HEIGHT  
50: 5.00mm  
PACKING  
TP: TAPE REEL(NORMAL DIRECTION)  
TS: TAPE REEL(REVERSE DIRECTION)

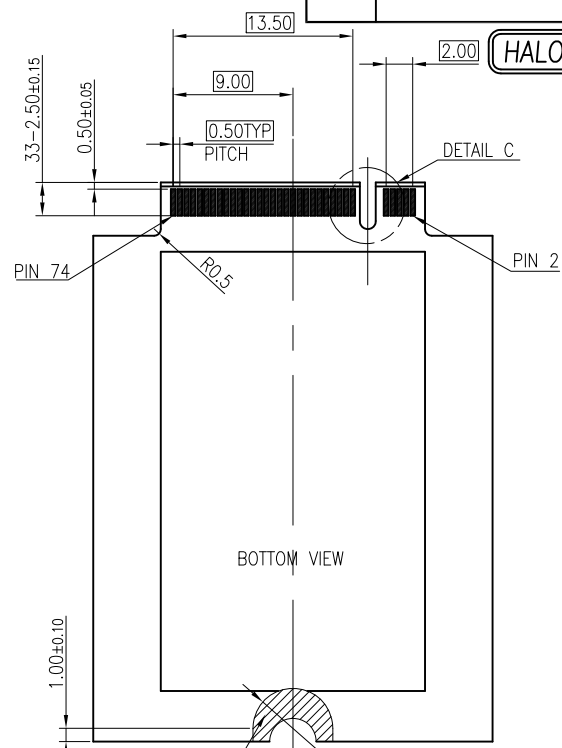
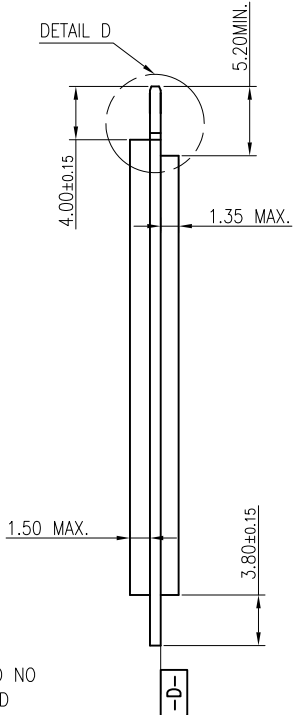
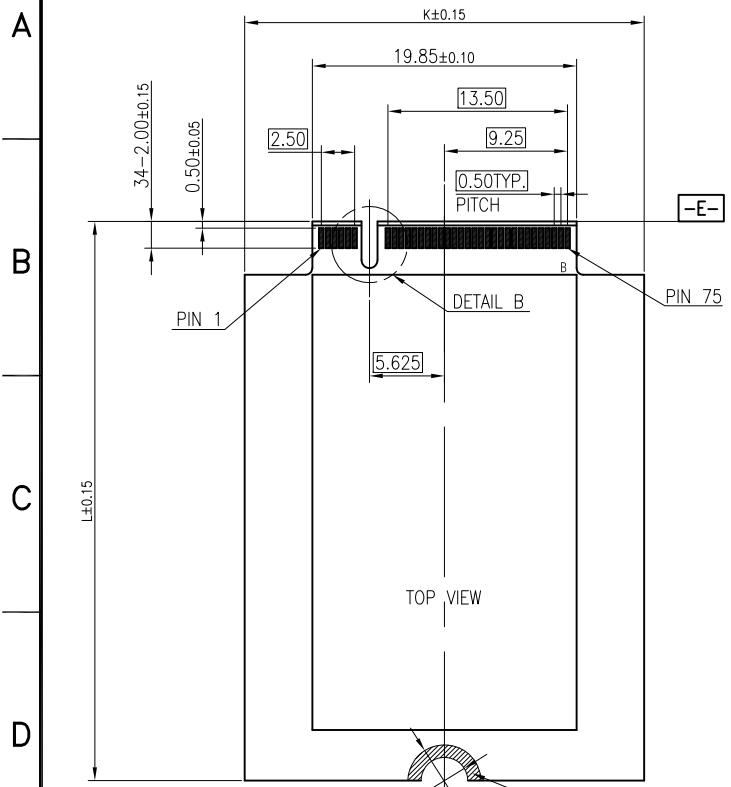
**LINKTEK**

DIMENSION IN mm [Inch]		PROD. SPEC.	<b>ARGOSY RESEARCH INC.</b>		
TOLERANCE UNLESS OTHERWISE SPECIFIED		SP-NXXXXL2			
.X±0.35	X.*± 1*	PKG. SPEC.	FILE NO. ARG-156	DWG NO. NXSB0-S67XX-XX50X	
.XX±0.25	.X.*±	PK-NXSXX-XXX	PROJ.	CUSTOMER DRAWING	
.XXX±	.XX.*±	APR. Tony 2015.10.27	SIZE A4	SCALE 1:1	
		CHK. Leon 2015.10.27	SHEET 1/3	REV. A C	
		DRA. Vincent 2015.10.27			



REV.	MODIFICATION	DATE	DRAW
A	INITIAL RELEASE	2015.10.27	Vincent

**HALOGEN FREE** **LEAD FREE**

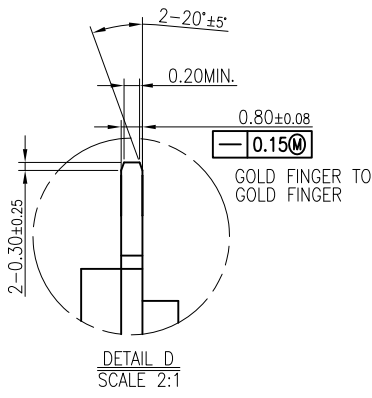
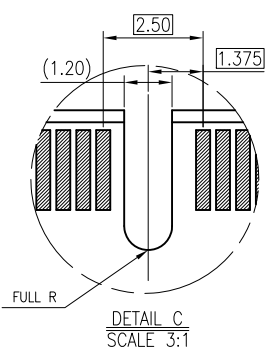
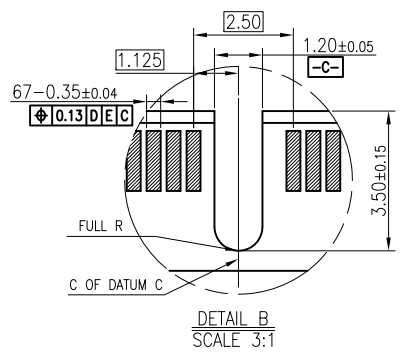


MECHANICAL GND PAD NO COMPONENTS ALLOWED

MECHANICAL GND PAD NO COMPONENTS ALLOWED

30.00	110.00	108.25
	80.00	78.25
	60.00	58.25
22.00	42.00	40.25
	30.00	28.25
DIM. K	DIM. L	DIM. M

**LINKTEK**



DIMENSION IN mm [Inch]		PROD. SPEC.
TOLERANCE UNLESS OTHERWISE SPECIFIED		SP-NXXXXL2
.X±0.35	X'± 1'	PKG. SPEC. PK-NXSXX-XXX
.XX±0.25	.X'±	APR. Tony 2015.10.27
.XXX±	.XX'±	CHK. Leon 2015.10.27
		DRA. Vincent 2015.10.27

**ARGOSY RESEARCH INC.**

TITLE: M.2(NGFF) CARD CONNECTOR B KEY 5.0H

FILE NO. ARG-156 DWG NO. NXSBO-S67XX-XX50X

PROJ. CUSTOMER DRAWING

SIZE A4 SCALE 1:1 SHEET 3/3 REV. A C