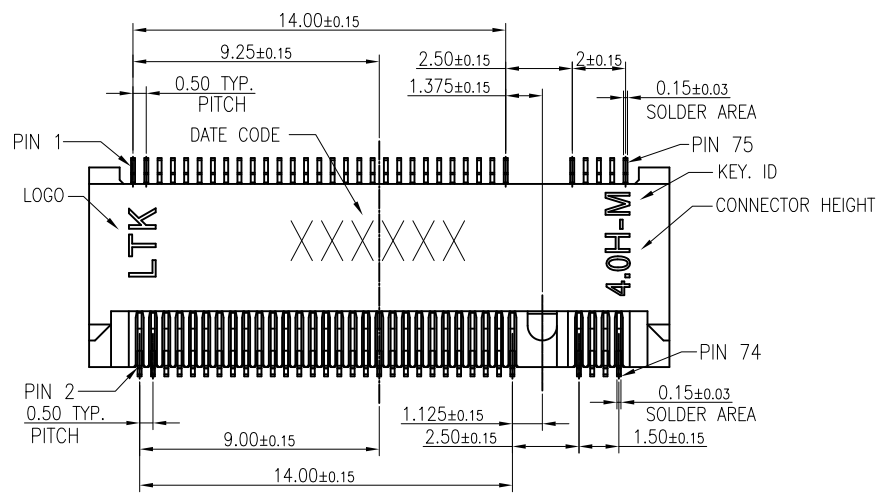


1 2 3 4 5 6 7 8

REV.	MODIFICATION	DATE	DRAW
A	INITIAL RELEASE	2013.08.13	Coco
B	ECN-2015023	2015.07.10	Ann

**HALOGEN FREE** **LEAD FREE**

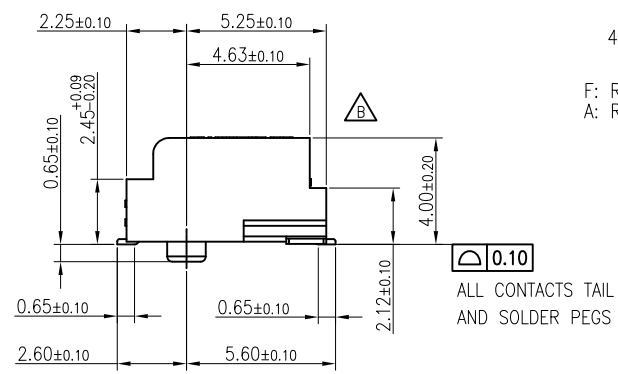
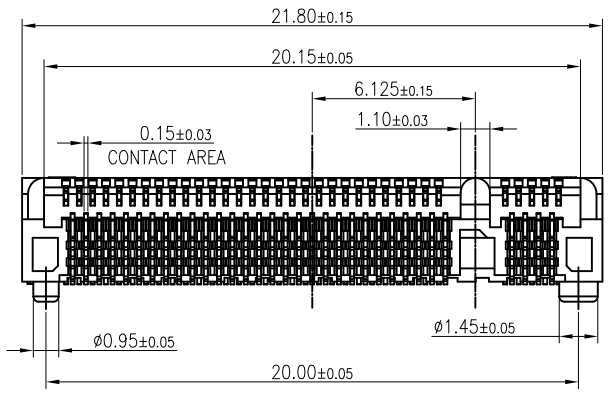
A



B

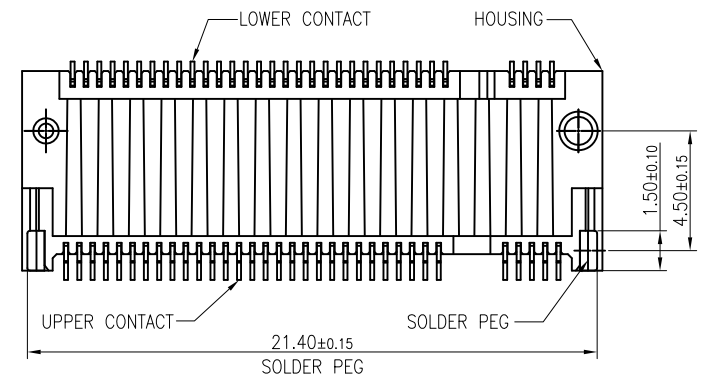
NOTES:  
 1.MATERIAL:  
 HOUSING: THERMOPLASTIC, BLACK COLOR, FLAME RESISTANCE UL94-V0.  
 CONTACT: COPPER ALLOY.  
 SOLDER PEGS: COPPER ALLOY.  
 2.FINISHED:  
 CONTACTS: GOLD PLATING ON CONTACT AREA.(SEE P/N) 1u~3u" Au ON THE SOLDER AREA. 50~150u" NICKEL PLATING OVER ALL.  
 SOLDER PEGS: 50~150u" MATTE TIN PLATING OVER ALL. 50~150u" NICKEL UNDER PLATED OVER ALL.  
 3.MSL LEVEL:  
 MSL(MOISTURE SENSIVITY LEVEL)=1.  
 4.PART NUMBER:  
 NXSM0-S67XX-XX40  
 F: REEL W:32.0mm  
 A: REEL W:44.0mm  
 XX: CONTACT AREA  
 40: 4.00mm  
 PACKING  
 TP:TAPE REEL(NORMAL DIRECTION)  
 TS:TAPE REEL(REVERSE DIRECTION)

C



D

E



F

1 2 3 4 5 6 7 8

DIMENSION IN mm [Inch]		PROD. SPEC. SP-NXXXXL2
TOLERANCE UNLESS OTHERWISE SPECIFIED		PKG. SPEC. PK-NXSXX-XXX
.X±0.35	X*± 1*	APR. Tony 2015.07.10
.XX±0.25	.X*±	CHK. Leon 2015.07.10
.XXX±	.XX*±	DRA. Ann 2015.07.10

**ARGOSY RESEARCH INC.**

TITLE: M.2(NGFF) CARD CONNECTOR M KEY 4.0H

FILE NO. ARG-156 DWG NO. NXSM0-S67XX-XX40

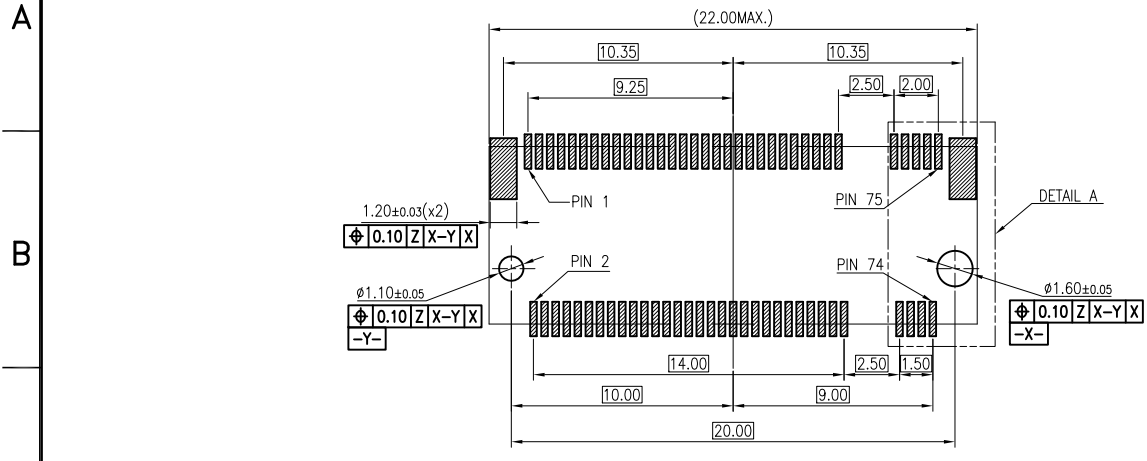
PROJ. CUSTOMER DRAWING

SIZE A4 SCALE 1:1 SHEET 1/3 REV. B C

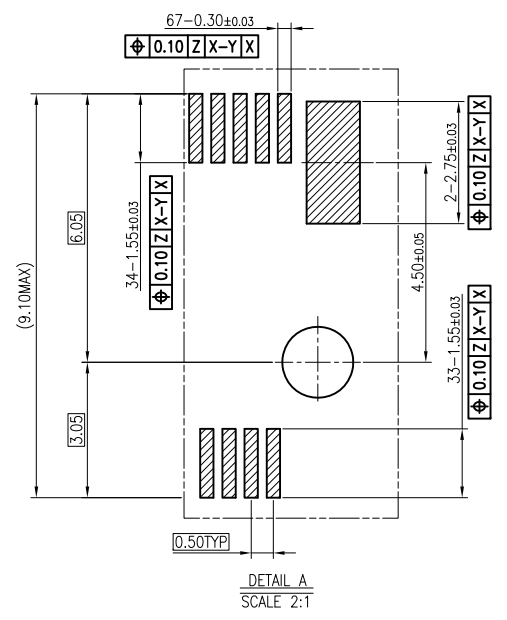
**LINKTEK**

REV.	MODIFICATION	DATE	DRAW
A	INITIAL RELEASE	2013.08.13	Coco
B	ECN-2015023	2015.07.10	Ann

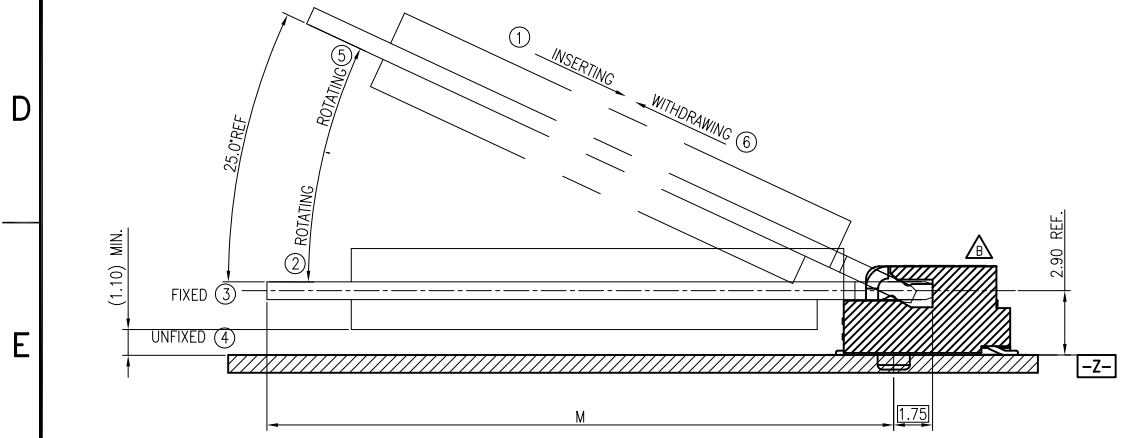
**HALOGEN FREE**   **LEAD FREE**



RECOMMEND PCB LAYOUT(TOP VIEW)  
(DEFAULT TOLERANCE:±0.05mm)



DETAIL A  
SCALE 2:1



MODULE SEATING PLANT TO ALIGNMENT POST

HOW TO MATE AND UNMATE

MATE: ① INSERTING → ② ROTATING → ③ FIXED

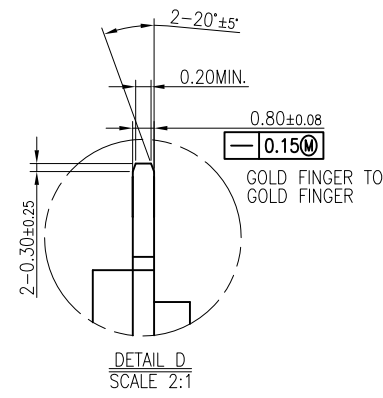
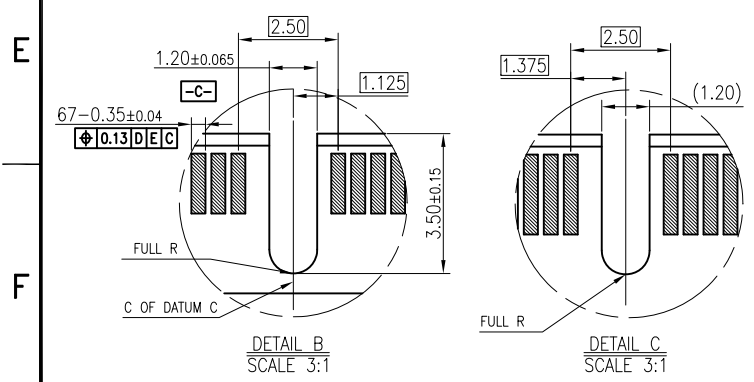
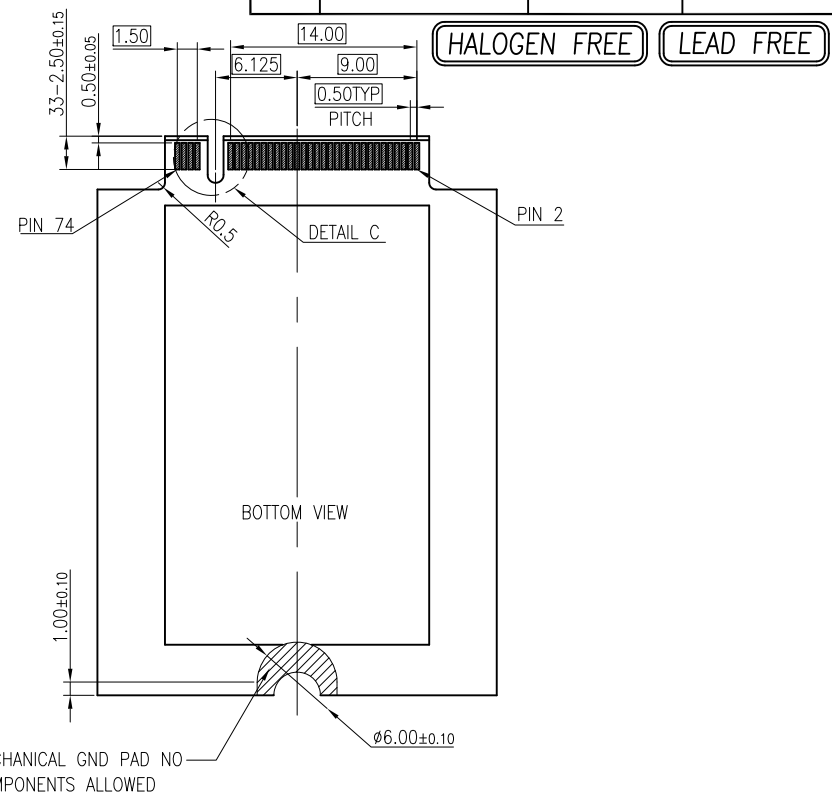
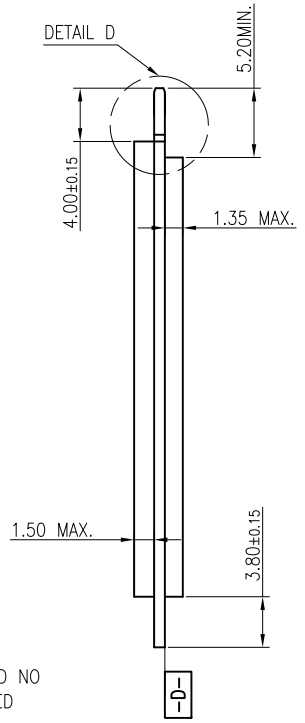
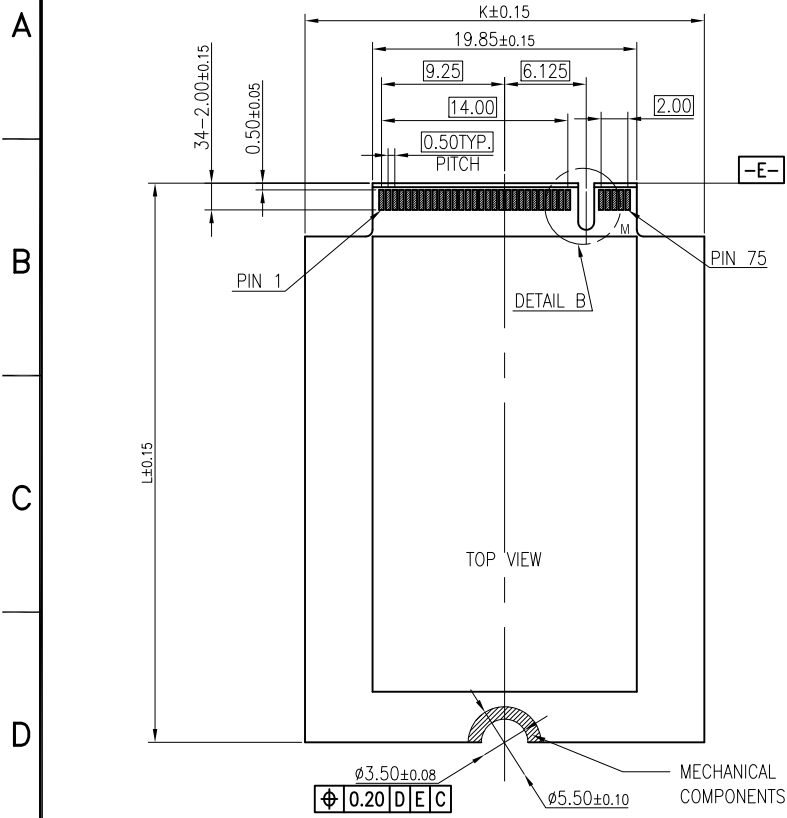
UNMATING: ④ UNFIXED → ⑤ ROTATING → ⑥ WITHDRAWING

**LINKTEK**

DIMENSION IN mm [Inch]		PROD. SPEC. SP-NXXXXL2	<b>ARGOSY</b> RESEARCH INC.		
TOLERANCE UNLESS OTHERWISE SPECIFIED		PKG. SPEC. PK-NXSXX-XXX			
.X±0.35	X.*± 1*	APR. Tony 2015.07.10	TITLE: M.2(NGFF) CARD CONNECTOR M KEY 4.0H		
.XX±0.25	.X.*±	CHK. Leon 2015.07.10	FILE NO. ARG-156	DWG NO. NXSM0-S67XX-XX40	
.XXX±	.XX.*±	DRA. Ann 2015.07.10	PROJ.		
			SIZE A4	SCALE 1:1	SHEET 2/3
			REV. B	C	

REV.	MODIFICATION	DATE	DRAW
A	INITIAL RELEASE	2013.08.13	Coco
B	ECN-2015023	2015.07.10	Ann

HALOGEN FREE LEAD FREE



30.00	110.00	108.25
	80.00	78.25
22.00	60.00	58.25
	42.00	40.25
	30.00	28.25
DIM. K	DIM. L	DIM. M

LINKTEK

DIMENSION IN mm [Inch]		PROD. SPEC.
TOLERANCE UNLESS OTHERWISE SPECIFIED		SP-NXXXXL2
.X±0.35	X'± 1'	PKG. SPEC. PK-NXSXX-XXX
.XX±0.25	.X'±	APR. Tony 2015.07.10
.XXX±	.XX'±	CHK. Leon 2015.07.10
		DRA. Ann 2015.07.10

**ARGOSY RESEARCH INC.**

TITLE: M.2(NGFF) CARD CONNECTOR M KEY 4.0H

FILE NO. ARG-156 DWG NO. NXSM0-S67XX-XX40

PROJ. CUSTOMER DRAWING

SIZE A4 SCALE 1:1 SHEET 3/3 REV. B C