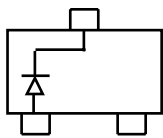
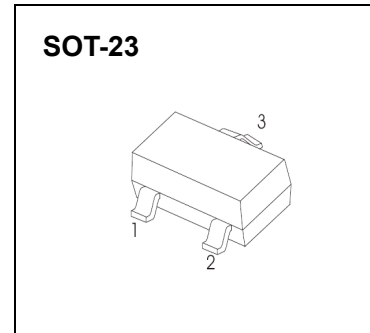
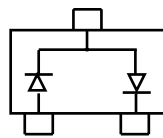


#### FEATURES

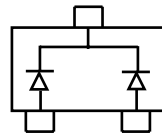
- Low turn-on voltage
- Fast switching
- Also available in lead free version



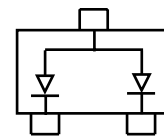
BAS70 Marking: 73



BAS70-04 Marking: 74



BAS70-05 Marking: 75



BAS70-06 Marking: 76

#### MAXIMUM RATINGS @Ta=25°C

Symbol	Parameter	Value	Unit
$V_R$	DC Voltage	70	V
$I_F$	Forward Continuous Current	70	mA
$P_D$	Power Dissipation	200	mW
$R_{\theta JA}$	Thermal Resistance from Junction to Ambient	500	°C/W
$T_J$	Junction Temperature	125	°C
$T_{stg}$	Storage Temperature	-55~+150	°C

#### ELECTRICAL CHARACTERISTICS (Ta=25°C unless otherwise specified)

Parameter	Symbol	Test conditions	Min	Max	Unit
Reverse breakdown voltage	$V_{(BR)}$	$I_R = 10\mu A$	70		V
Reverse voltage leakage current	$I_R$	$V_R = 50V$		120	nA
Forward voltage	$V_F$	$I_F = 1mA$ $I_F = 15mA$		410 1000	mV
Diode capacitance	$C_D$	$V_R = 0V$ $f = 1MHz$		2	pF
Reverse recovery time	$t_{rr}$	$I_F = I_R = 10mA, I_{rr} = 0.1 \times I_R,$ $R_L = 100\Omega$		5	ns

# Typical Characteristics

BAS70/-04/-05/-06

