

# **DAVICOM Semiconductor, Inc.**

---

## **DM9000B**

Ethernet Controller  
With General Processor Interface

**DATA SHEET**

*Final*

*Version: DM9000B-DS-F03  
April 7, 2014*

# Content

<b>1. General Description.....</b>	<b>6</b>
<b>2. Block Diagram.....</b>	<b>6</b>
<b>3. Features.....</b>	<b>7</b>
<b>4. Pin Configuration.....</b>	<b>8</b>
4.1 (16-bit mode).....	8
4.2 (8-bit mode).....	9
<b>5. Pin Description .....</b>	<b>10</b>
5.1 Processor Interface .....	10
5.1.1 8-bit mode pins.....	10
5.2 EEPROM Interface.....	11
5.3 Clock Interface.....	11
5.4 LED Interface.....	11
5.5 10/100 PHY/Fiber.....	11
5.6 Miscellaneous.....	12
5.7 Power Pins.....	12
5.8 strap pins table .....	12
<b>6. Vendor Control and Status Register Set.....</b>	<b>13</b>
6.1 Network Control Register (00H) .....	14
6.2 Network Status Register (01H).....	16
6.3 TX Control Register (02H) .....	16
6.4 TX Status Register I ( 03H ) for packet index I.....	17
6.5 TX Status Register II ( 04H ) for packet index I I.....	17
6.6 RX Control Register ( 05H ).....	18
6.7 RX Status Register ( 06H ).....	18
6.8 Receive Overflow Counter Register ( 07H ).....	19
6.9 Back Pressure Threshold Register (08H).....	19
6.10 Flow Control Threshold Register ( 09H ).....	20
6.11 RX/TX Flow Control Register ( 0AH ).....	21
6.12 EEPROM & PHY Control Register ( 0BH ).....	21
6.13 EEPROM & PHY Address Register ( 0CH ).....	22
6.14 EEPROM & PHY Data Register (EE_PHY_L:0DH   EE_PHY_H:0EH).....	22



---

6.15 Wake Up Control Register ( 0FH ) ( in 8-bit mode).....	22
6.16 Physical Address Register ( 10H~15H ).....	22
6.17 Multicast Address Register ( 16H~1DH ).....	23
6.18 General purpose control Register ( 1EH ) ( For 8 Bit mode only, for 16 bit mode, see reg . 34H) .....	23
6.19 General purpose Register ( 1FH ) ( For 8 Bit mode only, for 16 bit mode, see reg . 34H) .....	24
6.20 TX SRAM Read Pointer Address Register (22H~23H) .....	24
6.21 RX SRAM Write Pointer Address Register (24H~25H).....	24
6.22 Vendor ID Register (28H~29H).....	24
6.23 Product ID Register (2AH~2BH) .....	24
6.24 Chip Revision Register (2CH).....	24
6.25 Transmit Control Register 2 ( 2DH ).....	24
6.26 Operation Test Control Register ( 2EH ).....	25
6.27 Special Mode Control Register ( 2FH ).....	25
6.28 Early Transmit Control/Status Register ( 30H ) .....	27
6.29 Check Sum Control Register ( 31H ) .....	27
6.30 Receive Check Sum Status Register ( 32H ) .....	27
6.31 MII PHY Address Register ( 33H ) .....	29
6.32 LED Pin Control Register ( 34H ).....	29
6.33 Processor Bus Control Register ( 38H ) .....	29
6.34 INT Pin Control Register ( 39H ) .....	30
6.35 System Clock Turn ON Control Register ( 50H ).....	30
6.36 Resume System Clock Control Register ( 51H ).....	30
6.37 Memory Data Pre-Fetch Read Command without Address Increment Register (F0H) .....	30
6.38 Memory Data Read Command without Address Increment Register (F1H).....	30
6.39 Memory Data Read Command with Address Increment Register (F2H).....	30
6.40 Memory Data Read address Register (F4H~F5H) .....	30
6.41 Memory Data Write Command without Address Increment Register (F6H) .....	30
6.42 Memory data write command with address increment Register (F8H) .....	31
6.43 Memory data write address Register (FAH~FBH).....	31
6.44 TX Packet Length Register (FCH~FDH) .....	31
6.45 Interrupt Status Register (FEH).....	31
6.46 Interrupt Mask Register (FFH).....	31
<b>7. EEPROM Format.....</b>	<b>33</b>
<b>8. PHY Register Description .....</b>	<b>34</b>

---



---

8.1 Basic Mode Control Register (BMCR) - 00.....	35
8.2 Basic Mode Status Register (BMSR) - 01 .....	36
8.3 PHY ID Identifier Register #1 (PHYID1) - 02.....	37
8.4 PHY ID Identifier Register #2 (PHYID2) - 03.....	37
8.5 Auto-negotiation Advertisement Register (ANAR) - 04.....	38
8.6 Auto-negotiation Link Partner Ability Register (ANLPAR) – 05.....	39
8.7 Auto-negotiation Expansion Register (ANER)- 06.....	39
8.8 DAVICOM Specified Configuration Register (DSCR) - 16 .....	40
8.9 DAVICOM Specified Configuration and Status Register (DSCSR) - 17.....	41
8.10 10BASE-T Configuration/Status (10BTCSR) - 18.....	42
8.11 Power down Control Register (PWDOR) - 19.....	43
8.12 (Specified config) Register – 20.....	43
<b>9. Functional Description.....</b>	<b>45</b>
9.1 Host Interface .....	45
9.2 Direct Memory Access Control.....	45
9.3 Packet Transmission .....	45
9.4 Packet Reception .....	45
9.5 100Base-TX Operation .....	46
9.5.1 4B5B Encoder.....	46
9.5.2 Scrambler .....	46
9.5.3 Parallel to Serial Converter .....	46
9.5.4 NRZ to NRZI Encoder .....	46
9.5.5 MLT-3 Converter .....	46
9.5.6 MLT-3 Driver.....	46
9.5.7 4B5B Code Group .....	47
9.6 100Base-TX Receiver.....	48
9.6.1 Signal Detect.....	48
9.6.2 Adaptive Equalization .....	48
9.6.3 MLT-3 to NRZI Decoder .....	48
9.6.4 Clock Recovery Module .....	48
9.6.5 NRZI to NRZ .....	48
9.6.6 Serial to Parallel.....	48
9.6.7 Descrambler.....	48
9.6.8 Code Group Alignment.....	49
9.6.9 4B5B Decoder.....	49
9.7 10Base-T Operation.....	49
9.8 Collision Detection.....	49
9.9 Carrier Sense.....	49
9.10 Auto-Negotiation.....	49
9.11 Power Reduced Mode.....	50

---



# DM9000B

## Ethernet Controller with General Processor Interface

---

9.11.1 Power down Mode .....	50
9.11.2 Reduced Transmit Power Mode .....	50
<b>10. DC and AC Electrical Characteristics .....</b>	<b>51</b>
10.1 Absolute Maximum Ratings ( 25°C ).....	51
10.1.1 Operating Conditions.....	51
10.2 DC Electrical Characteristics (VDD = 3.3V) .....	51
10.3 AC Electrical Characteristics & Timing Waveforms .....	52
10.3.1 TP Interface.....	52
10.3.2 Oscillator/Crystal Timing .....	52
10.3.3 Power On Reset Timing .....	52
10.3.4 Processor I/O Read Timing.....	53
10.3.5 Processor I/O Write Timing.....	54
10.3.6 EEPROM Interface Timing.....	55
<b>11. Application Notes.....</b>	<b>56</b>
11.1 Network Interface Signal Routing.....	56
11.2 10Base-T/100Base-TX Auto MDIX Application .....	56
11.3 10Base-T/100Base-TX ( Non Auto MDIX Transformer Application ).....	57
11.4 Power Decoupling Capacitors .....	58
11.5 Ground Plane Layout .....	59
11.6 Power Plane Partitioning.....	60
11.7 Magnetic Selection Guide.....	61
11.8 Crystal Selection Guide.....	61
<b>12. Package Information .....</b>	<b>62</b>
<b>13. Ordering Information .....</b>	<b>63</b>

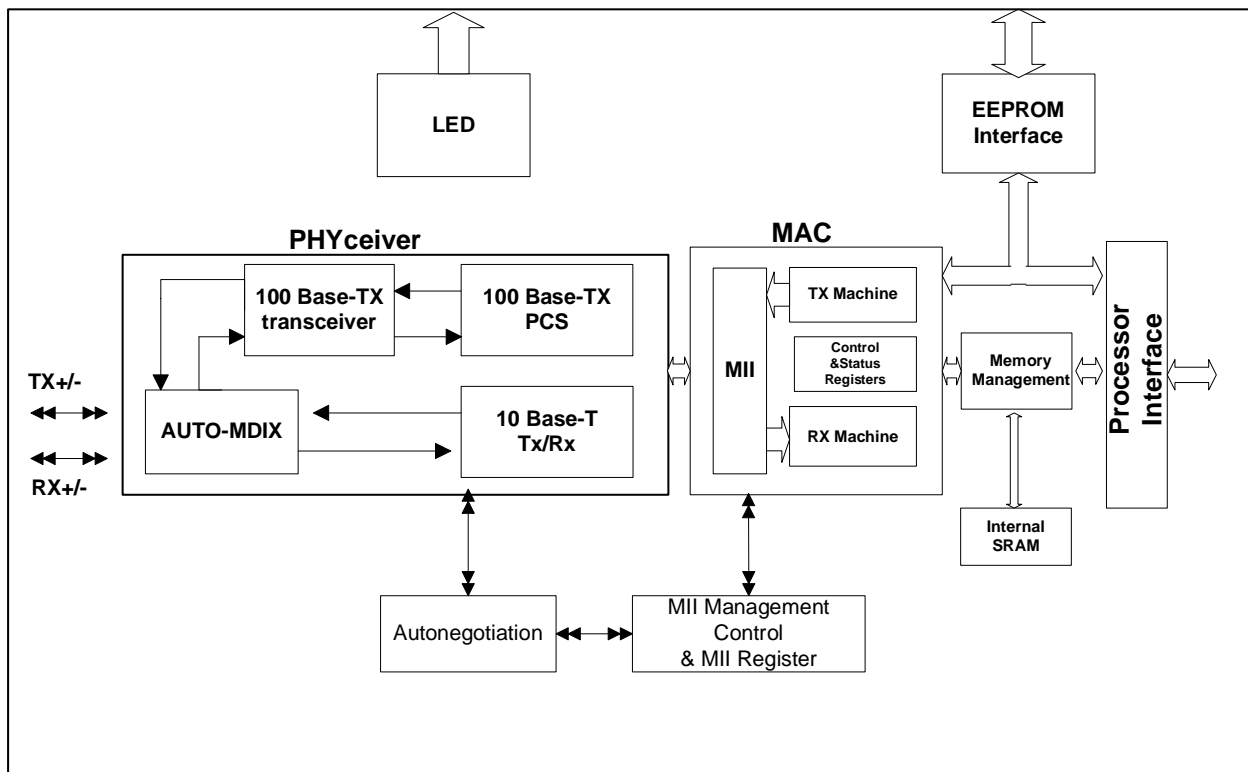
## 1. General Description

The DM9000B is a fully integrated and cost-effective low pin count single chip Fast Ethernet controller with a general processor interface, a 10/100M PHY and 4K Dword SRAM. It is designed with low power and high performance process interface that support 3.3V with 5V IO tolerance.

The DM9000B supports 8-bit and 16-bit data interfaces to internal memory accesses for various

processors. The PHY of the DM9000B can interface to the UTP3, 4, 5 in 10Base-T and UTP5 in 100Base-TX with HP Auto-MDIX. It is fully compliant with the IEEE 802.3u Spec. Its auto-negotiation function will automatically configure the DM9000B to take the maximum advantage of its abilities. The DM9000B also supports IEEE 802.3x full-duplex flow control.

## 2. Block Diagram

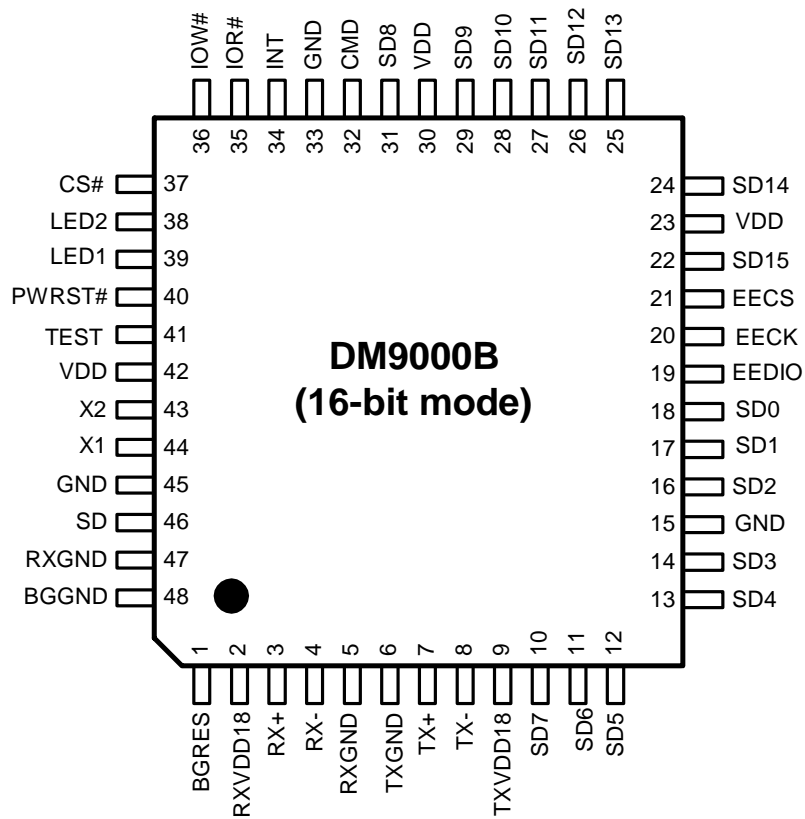


### 3. Features

- Supports processor interface: byte/word of I/O command to internal memory data operation
- Integrated 10/100M transceiver With HP Auto-MDIX
- Supports back pressure mode for half-duplex
- IEEE802.3x flow control for full-duplex mode
- Supports wakeup frame, link status change and magic packet events for remote wake up
- Support 100M Fiber interface.
- Integrated 16K Byte SRAM
- Build in 3.3V to 1.8V regulator
- Supports early Transmit
- Supports IP/TCP/UDP checksum generation and checking
- Supports automatically load vendor ID and product ID from EEPROM
- Optional EEPROM configuration
- Very low power consumption mode:
  - Power reduced mode (cable detection)
  - Power down mode
  - Selectable TX drivers for 1:1 or 1.25:1 transformers for additional power reduction.
- Compatible with 3.3V and 5.0V tolerant I/O
- DSP architecture PHY Transceiver.
- 48-pin LQFP, 0.18 um process

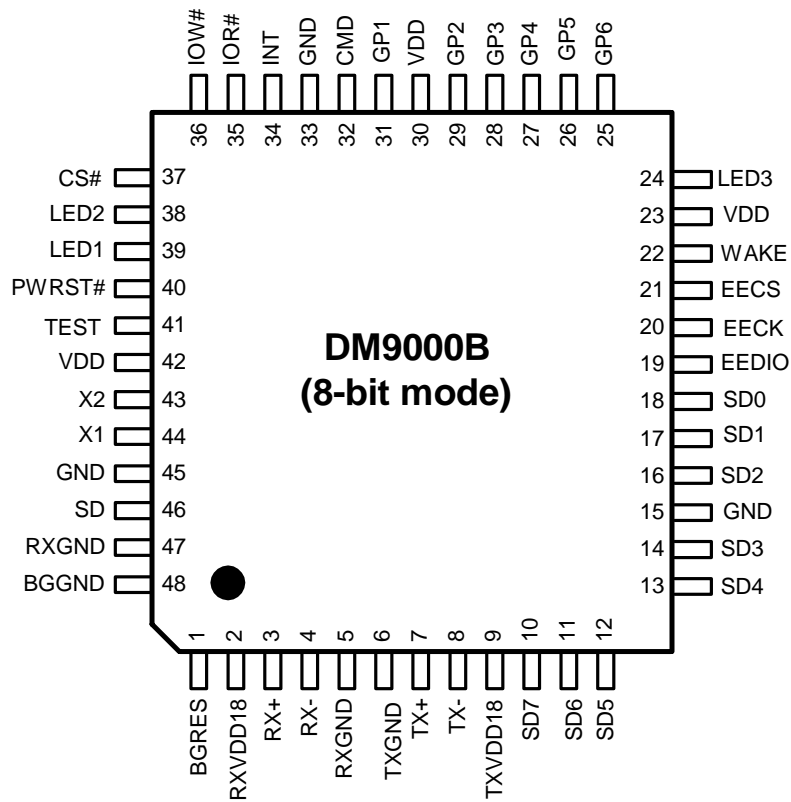
## 4. Pin Configuration

### 4.1 (16-bit mode)





## 4.2 (8-bit mode)



## 5. Pin Description

I = Input      O = Output      I/O = Input/Output      O/D = Open Drain      P = Power  
 # = asserted low      PD = internal pull-low about 60K

### 5.1 Processor Interface

Pin No.	Pin Name	Type	Description
35	IOR#	I,PD	Processor Read Command This pin is low active at default, its polarity can be modified by EEPROM setting. See the EEPROM content description for detail
36	IOW#	I,PD	Processor Write Command This pin is low active at default, its polarity can be modified by EEPROM setting. See the EEPROM content description for detail
37	CS#	I,PD	Chip Select A default low active signal used to select the DM9000B. Its polarity can be modified by EEPROM setting. See the EEPROM content description for detail.
32	CMD	I,PD	Command Type When high, the access of this command cycle is DATA port When low, the access of this command cycle is INDEX port
34	INT	O,PD	Interrupt Request This pin is high active at default, its polarity can be modified by EEPROM setting or by strap pin EECK. See the EEPROM content description for detail
18,17,16, 14,13,12, 11,10	SD0~7	I/O,PD	Processor Data Bus bit 0~7
31,29,28, 27,26,25, 24,22	SD8~15	I/O,PD	Processor Data Bus bit 8~15 In 16-bit mode, these pins act as the processor data bus bit 8~15; When EECS pin is pulled high, they have other definitions. See 8-bit mode pin description for details.

#### 5.1.1 8-bit mode pins

Pin No.	Pin Name	Type	Description
22	WAKE	O,PD	Issue a wake up signal when wake up event happens
24	LED3	O,PD	Full-duplex LED In LED mode 1, Its low output indicates that the internal PHY is operated in full-duplex mode, or it is floating for the half-duplex mode of the internal PHY In LED mode 0, Its low output indicates that the internal PHY is operated in 10M mode, or it is floating for the 100M mode of the internal PHY Note: LED mode is defined in EEPROM setting.
25,26,27	GP6~4	O,PD	General Purpose output pins: These pins are output only for general purpose that is configured by register 1Fh. GP6 pin also act as trap pin for the INT output type. When GP6 is pulled high, the INT is Open-Drain output type; Otherwise it is force output type.



28,29,31	GP3,GP2,GP1	I/O	General I/O Ports Registers GPCR and GPR can program these pins These pins are input ports at default.
----------	-------------	-----	--

**5.2 EEPROM Interface**

Pin No.	Pin Name	Type	Description
19	EEDIO	I/O,PD	IO Data to EEPROM
20	EECK	O,PD	Clock to EEPROM This pin is also used as the strap pin of the polarity of the INT pin When this pin is pulled high, the INT pin is low active; otherwise the INT pin is high active
21	EECS	O,PD	Chip Select to EEPROM This pin is also used as a strap pin to define the internal memory data bus width. When it is pulled high, the memory access bus is 8-bit; Otherwise it is 16-bit.

**5.3 Clock Interface**

Pin No.	Pin Name	Type	Description
43	X2	O	Crystal 25MHz Out
44	X1	I	Crystal 25MHz In

**5.4 LED Interface**

Pin No.	Pin Name	Type	Description
39	LED1	I/O	Speed LED Its low output indicates that the internal PHY is operated in 100M/S, or it is floating for the 10M mode of the internal PHY.
38	LED2	I/O	Link / Active LED In LED mode 1, it is the combined LED of link and carrier sense signal of the internal PHY In LED mode 0, it is the LED of the carrier sense signal of the internal PHY only This pin also acts as other function that defined in EEPROM word 7, The LED2 (Link/ACT) function is disabled while the Pin38 supports WOL function.

**5.5 10/100 PHY/Fiber**

Pin No.	Pin Name	Type	Description
46	SD	I	Fiber-optic Signal Detect PECL signal, which indicates whether or not the fiber-optic receive pair is receiving valid levels
48	BGGND	P	Band gap Ground
1	BGRES	I/O	Band gap Pin
2	RXVDD18	P	1.8V power output for TP RX
9	TXVDD18	P	1.8V power output for TP TX



# DM9000B

Ethernet Controller with General Processor Interface

3,4	RX+,RX-	I/O	TP RX These two pins are the receive input in MDI mode or the transmit output in MDIX mode.
5,47	RXGND	P	RX Ground
6	TXGND	P	TX Ground
7,8	TX+,TX-	I/O	TP TX These two pins are the transmit output in MDI mode or the receive input in MDIX mode.

## 5.6 Miscellaneous

Pin No.	Pin Name	Type	Description
41	TEST	I	Operation Mode Force to ground in normal application
40	PWRST#	I	Power on Reset Active low signal to initiate the DM9000B The DM9000B is ready after 5us when this pin deasserted

## 5.7 Power Pins

Pin No.	Pin Name	Type	Description
23,30,42	VDD	P	Digital VDD 3.3V power input
15,33,45	GND	P	Digital GND

## 5.8 strap pins table

1: pull-high 1K~10K, 0: floating (default)

Pin No.	Pin Name	Description
20	EECK	Polarity of INT 1: INT pin low active; 0: INT pin high active
21	EECS	DATA Bus Width 1: 8-bit 0: 16-bit
22	WAKE	Polarity of CS# in 8-bit mode 1: CS# pin active high 0: CS# pin active low
25	GP6	INT output type in 8-bit mode 1: Open-Drain 0: force mode

## 6. Vendor Control and Status Register Set

The DM9000B implements several control and status registers, which can be accessed by the host. These CSRs

are byte aligned. All CSRs are set to their default values by hardware or software reset unless they are specified

Register	Description	Offset	Default value after reset
NCR	Network Control Register	00H	00H
NSR	Network Status Register	01H	00H
TCR	TX Control Register	02H	00H
TSR I	TX Status Register I	03H	00H
TSR II	TX Status Register II	04H	00H
RCR	RX Control Register	05H	00H
RSR	RX Status Register	06H	00H
ROCR	Receive Overflow Counter Register	07H	00H
BPTR	Back Pressure Threshold Register	08H	37H
FCTR	Flow Control Threshold Register	09H	38H
FCR	RX Flow Control Register	0AH	00H
EPCR	EEPROM & PHY Control Register	0BH	00H
EPAR	EEPROM & PHY Address Register	0CH	40H
EPDRL	EEPROM & PHY Low Byte Data Register	0DH	XXH
EPDRH	EEPROM & PHY High Byte Data Register	0EH	XXH
WCR	Wake Up Control Register (in 8-bit mode)	0FH	00H
PAR	Physical Address Register	10H-15H	Determined by EEPROM
MAR	Multicast Address Register	16H-1DH	XXH
GPCR	General Purpose Control Register (in 8-bit mode)	1EH	01H
GPR	General Purpose Register	1FH	XXH
TRPAL	TX SRAM Read Pointer Address Low Byte	22H	00H
TRPAH	TX SRAM Read Pointer Address High Byte	23H	00H
RWPAL	RX SRAM Write Pointer Address Low Byte	24H	00H
RWPAH	RX SRAM Write Pointer Address High Byte	25H	0CH
VID	Vendor ID	28H-29H	0A46H
PID	Product ID	2AH-2BH	9000H
CHIPR	CHIP Revision	2CH	1AH
TCR2	TX Control Register 2	2DH	00H
OCR	Operation Control Register	2EH	00H
SMCR	Special Mode Control Register	2FH	00H
ETXCSR	Early Transmit Control/Status Register	30H	00H
TCSCR	Transmit Check Sum Control Register	31H	00H
RCSCR	Receive Check Sum Control Status Register	32H	00H
MPAR	MII PHY Address Register	33H	00H
LEDCR	LED Pin Control Register	34H	00H
BUSCR	Processor Bus Control Register	38H	01H
INTCR	INT Pin Control Register	39H	00H
SCCR	System Clock Turn ON Control Register	50H	00H



RSCCR	Resume System Clock Control Register	51H	XXH
MRCMDX	Memory Data Pre-Fetch Read Command Without Address Increment Register	F0H	XXH
MRCMDX1	Memory Data Read Command With Address Increment Register	F1H	XXH
MRCMD	Memory Data Read Command With Address Increment Register	F2H	XXH
MRRL	Memory Data Read_ address Register Low Byte	F4H	00H
MRRH	Memory Data Read_ address Register High Byte	F5H	00H
MWCMDX	Memory Data Write Command Without Address Increment Register	F6H	XXH
MWCMD	Memory Data Write Command With Address Increment Register	F8H	XXH
MWRL	Memory Data Write_ address Register Low Byte	FAH	00H
MWRH	Memory Data Write_ address Register High Byte	FBH	00H
TXPLL	TX Packet Length Low Byte Register	FCH	XXH
TXPLH	TX Packet Length High Byte Register	FDH	XXH
ISR	Interrupt Status Register	FEH	00H
IMR	Interrupt Mask Register	FFH	00H

**Key to Default**

In the register description that follows, the default column takes the form:

<Reset Value>, <Access Type>

Where :

<Reset Value>:

- 1 Bit set to logic one
- 0 Bit set to logic zero
- X No default value

P = power on reset default value

S = software reset default value

E = default value from EEPROM

\*If Register 1FH bit 0 is updated from '1' to '0', the all Registers can not be accessed within 1ms.

T = default value from strap pin

<Access Type>:

RO = Read only

RW = Read/Write

R/C = Read and Clear

RW/C1=Read/Write and Cleared by write 1

WO = Write only

Reserved bits are shaded and should be written with 0.

Reserved bits are undefined on read access.

**6.1 Network Control Register (00H)**

Bit	Name	Default	Description
7	RESERVED	P0,RW	Reserved
6	WAKEEN	P0,RW	When set, it enables the wakeup function. Clearing this bit will also clears all wakeup event status This bit will not be affected after a software reset 0: Enable 1: Disable
5	RESERVED	0,RO	Reserved
4	FCOL	PS0,RW	1: Force Collision Mode, used for testing 0: DISABLE
3	FDX	PS0,RO	Duplex mode of the internal PHY. 1: Full-duplex 0: half-duplex



# DM9000B

Ethernet Controller with General Processor Interface

2:1	LBK	PS00, RW	Loop-back Mode Bit: 2 1 0 0 Normal 0 1 MAC Internal Loop-back 1 0 Internal PHY 100M mode digital Loop-back 1 1 (Reserved)
0	RST	P0,RW	Software reset and auto clear after 10us 1: reset state 0: non-reset state

**6.2 Network Status Register (01H)**

Bit	Name	Default	Description
7	SPEED	X,RO	Speed of internal PHY 0:100Mbps 1:10Mbps This bit has no meaning when LINKST=0
6	LINKST	X,RO	Link status of internal PHY 1: link OK 0: link failed
5	WAKEST	P0, RW/C1	Wakeup Event Status. Clears by read or write 1 (work in 8-bit mode) This bit will not be affected after software reset 1: Wakeup event 0: no wakeup event
4	RESERVED	0,RO	Reserved
3	TX2END	PS0, RW/C1	TX Packet 2 Complete Status. Clears by read or write 1 Transmit completion of packet index 2 1: transmit completion of packet index 2 0: no packet in transmit or packet index 2 transmit in progress
2	TX1END	PS0, RW/C1	TX Packet 1 Complete status. Clears by read or write 1 Transmit completion of packet index 1 1: transmit completion of packet index 1 0: no packet in transmit or packet index 1 transmit in progress
1	RXOV	PS0,RO	RX FIFO Overflow status 1: Overflow 0: non-overflow
0	RESERVED	0,RO	Reserved

**6.3 TX Control Register (02H)**

Bit	Name	Default	Description
7	RESERVED	0,RO	Reserved
6	TJDIS	PS0,RW	Transmit Jabber Timer (2048 bytes) control 1: Disabled. 0: Enable
5	EXCECM	PS0,RW	Excessive Collision Mode Control 1: Still tries to transmit this packet 0: Aborts this packet when excessive collision counts more than 15
4	PAD_DIS2	PS0,RW	PAD Appends for Packet Index 2 0: Enable 1: Disable
3	CRC_DIS2	PS0,RW	CRC Appends for Packet Index 2 0: Enable 1: Disable
2	PAD_DIS1	PS0,RW	PAD Appends for Packet Index 1 0: Enable 1: Disable
1	CRC_DIS1	PS0,RW	CRC Appends for Packet Index 1 0: Enable 1: Disable



0	TXREQ	PS0,RW	TX Request. Auto clears after sending completely 1: Transmit in progress 0: no transmit in progress
---	-------	--------	---

**6.4 TX Status Register I ( 03H ) for packet index I**

Bit	Name	Default	Description
7	TJTO	PS0,RO	Transmit Jabber Time Out It is set to indicate that the transmitted frame is truncated due to more than 2048 bytes are transmitted 1: Timeout 0: non-timeout
6	LC	PS0,RO	Loss of Carrier It is set to indicate the loss of carrier during the frame transmission. It is not valid in internal Loop-back mode 1: Loss of carrier 0: no carrier have been loss
5	NC	PS0,RO	No Carrier It is set to indicate that there is no carrier signal during the frame transmission. It is not valid in internal Loop-back mode 1: no carrier during transmit 0: normal carrier status during transmit
4	LC	PS0,RO	Late Collision It is set when a collision occurs after the collision window of 64 bytes 1: late collision 0: no late collision
3	COL	PS0,RO	Collision Packet It is set to indicate that the collision occurs during transmission 1: have been collision 0: no collision
2	EC	PS0,RO	Excessive Collision It is set to indicate that the transmission is aborted due to 16 excessive collisions 1: 16 excessive collisions 0: less than 16 collisions
1:0	RESERVED	0,RO	Reserved

**6.5 TX Status Register II ( 04H ) for packet index I I**

Bit	Name	Default	Description
7	TJTO	PS0,RO	Transmit Jabber Time Out It is set to indicate that the transmitted frame is truncated due to more than 2048 bytes are transmitted 1: Timeout 0: non-timeout
6	LC	PS0,RO	Loss of Carrier It is set to indicate the loss of carrier during the frame transmission. It is not valid in internal Loop-back mode 1: Loss of carrier 0: no carrier have been loss

5	NC	PS0,RO	No Carrier It is set to indicate that there is no carrier signal during the frame transmission. It is not valid in internal Loop-back mode 1: no carrier during transmit 0: normal carrier status during transmit
4	LC	PS0,RO	Late Collision It is set when a collision occurs after the collision window of 64 bytes 1: late collision 0: no late collision
3	COL	PS0,RO	Collision Packet It is set to indicate that the collision occurs during transmission 1: have been collision 0: no collision
2	EC	PS0,RO	Excessive Collision It is set to indicate that the transmission is aborted due to 16 excessive collisions 1: 16 excessive collisions 0: less than 16 collisions
1:0	RESERVED	0,RO	Reserved

**6.6 RX Control Register ( 05H )**

Bit	Name	Default	Description
7	RESERVED	PS0,RW	Reserved
6	WTDIS	PS0,RW	Watchdog Timer Disable 1: When set, the Watchdog Timer (2048 bytes) is disabled. 0: Otherwise it is enabled
5	DIS_LONG	PS0,RW	Discard Long Packet If Packet length is over 1522byte 1: ENABLE 0: DISABLE
4	DIS_CRC	PS0,RW	Discard CRC Error Packet 1: ENABLE 0: DISABLE
3	ALL	PS0,RW	Pass All Multicast 1: ENABLE 0: DISABLE
2	RUNT	PS0,RW	Pass Runt Packet 1: ENABLE 0: DISABLE
1	PRMSC	PS0,RW	Promiscuous Mode 1: ENABLE 0: DISABLE
0	RXEN	PS0,RW	RX Enable 1: ENABLE 0: DISABLE

**6.7 RX Status Register ( 06H )**

Bit	Name	Default	Description
-----	------	---------	-------------

7	RF	PS0,RO	Runt Frame It is set to indicate that the size of the received frame is smaller than 64 bytes 1: Affirmative 0: Negative
6	MF	PS0,RO	Multicast Frame It is set to indicate that the received frame has a multicast address 1: Affirmative 0: Negative
5	LCS	PS0,RO	Late Collision Seen It is set to indicate that a late collision is found during the frame reception 1: Affirmative 0: Negative
4	RWTO	PS0,RO	Receive Watchdog Time-Out It is set to indicate that it receives more than 2048 bytes 1: Affirmative 0: Negative
3	PLE	PS0,RO	Physical Layer Error It is set to indicate that a physical layer error is found during the frame reception 1: Affirmative 0: Negative
2	AE	PS0,RO	Alignment Error It is set to indicate that the received frame ends with a non-byte boundary 1: Affirmative 0: Negative
1	CE	PS0,RO	CRC Error It is set to indicate that the received frame ends with a CRC error 1: Affirmative 0: Negative
0	FOE	PS0,RO	FIFO Overflow Error It is set to indicate that a FIFO overflow error happens during the frame reception 1: Affirmative 0: Negative

**6.8 Receive Overflow Counter Register ( 07H )**

Bit	Name	Default	Description
7	RXFU	PS0,R/C	Receive Overflow Counter Overflow This bit is set when the ROC has an overflow condition 1: Affirmative 0: Negative
6:0	ROC	PS0,R/C	Receive Overflow Counter This is a statistic counter to indicate the received packet count upon FIFO overflow

**6.9 Back Pressure Threshold Register (08H)**

Bit	Name	Default	Description
7:4	BPHW	PS3, RW	Back Pressure High Water Overflow Threshold. MAC will generate the jam pattern when RX SRAM free space is lower than this threshold value The default is 3K-byte free space. Please do not exceed SRAM size (1 unit=1K bytes)

3:0	JPT	PS7, RW	Jam Pattern Time. Default is 200us		
			bit3	bit2 bit1 bit0	time
			0	0 0 0	5us
			0	0 0 1	10us
			0	0 1 0	15us
			0	0 1 1	25us
			0	1 0 0	50us
			0	1 0 1	100us
			0	1 1 0	150us
			0	1 1 1	200us
			1	0 0 0	250us
			1	0 0 1	300us
			1	0 1 0	350us
			1	0 1 1	400us
			1	1 0 0	450us
1	1 0 1	500us			
1	1 1 0	550us			
1	1 1 1	600us			

**6.10 Flow Control Threshold Register ( 09H )**

Bit	Name	Default	Description
7:4	HWOT	PS3, RW	RX FIFO High Water Overflow Threshold Send a pause packet with pause_time=FFFFH when the RX RAM free space is less than this value., If this value is zero, its means no free RX SRAM space. The default value is 3K-byte free space. Please do not exceed SRAM size (1 unit=1K bytes)
3:0	LWOT	PS8, RW	RX FIFO Low Water Overflow Threshold Send a pause packet with pause time=0000 when RX SRAM free space is larger than this value. This pause packet is enabled after the high water pause packet is transmitted. The default SRAM free space is 8K-byte. Please do not exceed SRAM size (1 unit=1K bytes)

**6.11 RX/TX Flow Control Register ( 0AH )**

Bit	Name	Default	Description
7	TXP0	PS0,RW	Force TX Pause Packet Auto clears after pause packet transmission completion. Set to TX pause packet with time = 0000h
6	TXPF	PS0,RW	Force TX Pause packet Auto clears after pause packet transmission completion. Set to TX pause packet with time = FFFFh
5	TXPEN	PS0,RW	TX Pause Packet Enable Enables the pause packet for high/low water threshold control 1: ENABLE 0: DISABLE
4	BKPA	PS0,RW	Back Pressure Mode This mode is for half duplex mode only. It generates a jam pattern when any packet comes and RX SRAM is over BPHW of register 8. 1: ENABLE 0: DISABLE
3	BKPM	PS0,RW	Back Pressure Mode This mode is for half duplex mode only. It generates a jam pattern when a packet's DA matches and RX SRAM is over BPHW of register 8. 1: ENABLE 0: DISABLE
2	RXPS	PS0,R/C	RX Pause Packet Status, latch and read clearly 1: has been receive pause packet 0: no pause packet received
1	RXPCS	PS0,RO	RX Pause Packet Current Status 1: received pause packet timer down-count in progress 0: pause packet timer value is zero
0	FLCE	PS0,RW	Flow Control Enable Set to enable the flow control mode (i.e. can disable DM9000B TX function) 1: ENABLE 0: DISABLE

**6.12 EEPROM & PHY Control Register ( 0BH )**

Bit	Name	Default	Description
7:6	RESERVED	0,RO	Reserved
5	REEP	P0,RW	Reload EEPROM. Driver needs to clear it up after the operation completes
4	WEP	P0,RW	Write EEPROM Enable 1: ENABLE 0: DISABLE
3	EPOS	P0,RW	EEPROM or PHY Operation Select 0: select EEPROM 1: select PHY
2	ERPRR	P0,RW	EEPROM Read or PHY Register Read Command. Driver needs to clear it up after the operation completes.
1	ERPRW	P0,RW	EEPROM Write or PHY Register Write Command. Driver needs to clear it up after the operation completes.

0	ERRE	P0,RO	EEPROM Access Status or PHY Access Status 1: the EEPROM or PHY access is in progress 0: completion of the EEPROM or PHY access
---	------	-------	--

**6.13 EEPROM & PHY Address Register ( 0CH )**

Bit	Name	Default	Description
7:6	PHY_ADR	P01,RW	PHY Address bit 1 and 0, the PHY address bit [4:2] is force to 0. Force to 01 in application.
5:0	EROA	P0,RW	EEPROM Word Address or PHY Register Number.

**6.14 EEPROM & PHY Data Register (EE\_PHY\_L:0DH EE\_PHY\_H:0EH)**

Bit	Name	Default	Description
7:0	EE_PHY_L	P0,RW	EEPROM or PHY Low Byte Data The low-byte data read from or write to EEPROM or PHY.
7:0	EE_PHY_H	P0,RW	EEPROM or PHY High Byte Data The high-byte data read from or write to EEPROM or PHY.

**6.15 Wake Up Control Register ( 0FH ) (in 8-bit mode)**

Bit	Name	Type	Description
7:6	RESERVED	0,RO	Reserved
5	LINKEN	P0,RW	When set, it enables Link Status Change Wake up Event This bit will not be affected after software reset 1: ENABLE 0: DISABLE
4	SAMPLEEN	P0,RW	When set, it enables Sample Frame Wake up Event This bit will not be affected after software reset 1: ENABLE 0: DISABLE
3	MAGICEN	P0,RW	When set, it enables Magic Packet Wake up Event This bit will not be affected after software reset 1: ENABLE 0: DISABLE
2	LINKST	P0,RO	When set, it indicates that Link Change and Link Status Change Event occurred This bit will not be affected after software reset 1: link change event occurred 0: no link change event
1	SAMPLEST	P0,RO	When set, it indicates that the sample frame is received and Sample Frame Event occurred. This bit will not be affected after software reset 1: sample frame matched event occurred 0: no sample frame matched
0	MAGICST	P0,RO	When set, indicates the Magic Packet is received and Magic packet Event occurred. This bit will not be affected after a software reset 1: magic packet received 0: no magic packet received

**6.16 Physical Address Register ( 10H~15H )**

Bit	Name	Default	Description
7:0	PAB5	E,RW	Physical Address Byte 5 (15H)
7:0	PAB4	E,RW	Physical Address Byte 4 (14H)



7:0	PAB3	E,RW	Physical Address Byte 3 (13H)
7:0	PAB2	E,RW	Physical Address Byte 2 (12H)
7:0	PAB1	E,RW	Physical Address Byte 1 (11H)
7:0	PAB0	E,RW	Physical Address Byte 0 (10H)

**6.17 Multicast Address Register ( 16H~1DH )**

Bit	Name	Default	Description
7:0	MAB7	X,RW	Multicast Address Byte 7 (1DH)
7:0	MAB6	X,RW	Multicast Address Byte 6 (1CH)
7:0	MAB5	X,RW	Multicast Address Byte 5 (1BH)
7:0	MAB4	X,RW	Multicast Address Byte 4 (1AH)
7:0	MAB3	X,RW	Multicast Address Byte 3 (19H)
7:0	MAB2	X,RW	Multicast Address Byte 2 (18H)
7:0	MAB1	X,RW	Multicast Address Byte 1 (17H)
7:0	MAB0	X,RW	Multicast Address Byte 0 (16H)

**6.18 General purpose control Register ( 1EH ) ( For 8 Bit mode only, for 16 bit mode, see reg . 34H)**

Bit	Name	Default	Description
7	RESERVED	PH0,RO	Reserved
6:4	GPC64	P, 111,RO	General Purpose Control 6~4 Define the input/output direction of pins GP6~4 respectively. These bits are all forced to "1"s, so pins GP6~4 are output only.
3:1	GPC31	P, 000,RW	General Purpose Control 3~1 Define the input/output direction of pins GP 3~1 respectively. 1: When a bit is set 1, the direction of correspondent bit of General Purpose Register is output. 0: Other defaults are input
0	RESERVED	P1,RO	Reserved

**6.19 General purpose Register ( 1FH ) ( For 8 Bit mode only, for 16 bit mode, see reg . 34H)**

Bit	Name	Default	Description
7	RESERVED	0,RO	Reserved
6-4	GPO	P0,RW	General Purpose Output 6~4 (in 8-bit mode) These bits are reflect to pin GP6~4 respectively.
3:1	GPIO	P0,RW	General Purpose (in 8-bit mode) When the correspondent bit of General Purpose Control Register is 1, the value of the bit is reflected to pin GP3~1 respectively. When the correspondent bit of General Purpose Control Register is 0, the value of the bit to be read is reflected from correspondent pins of GP3~1 respectively.
0	PHYPD	ET1,W0	PHY Power Down Control 1: power down PHY 0: power up PHY *If this bit is updated from '1' to '0', the whole MAC Registers can not be accessed within 1ms.

**6.20 TX SRAM Read Pointer Address Register (22H~23H)**

Bit	Name	Default	Description
7:0	TRPAH	PS0,RO	TX SRAM Read Pointer Address High Byte (23H)
7:0	TRPAL	PS0,RO	TX SRAM Read Pointer Address Low Byte (22H)

**6.21 RX SRAM Write Pointer Address Register (24H~25H)**

Bit	Name	Default	Description
7:0	RWPAH	PS,0CH,RO	RX SRAM Write Pointer Address High Byte (25H)
7:0	RWPAL	PS,00H,RO	RX SRAM Write Pointer Address Low Byte (24H)

**6.22 Vendor ID Register (28H~29H)**

Bit	Name	Default	Description
7:0	VIDH	PE,0AH,RO	Vendor ID High Byte (29H)
7:0	VIDL	PE,46H,RO	Vendor ID Low Byte (28H)

**6.23 Product ID Register (2AH~2BH)**

Bit	Name	Default	Description
7:0	PIDH	PE,90H,RO	Product ID High Byte (2BH)
7:0	PIDL	PE,00H,RO	Product ID Low Byte (2AH)

**6.24 Chip Revision Register (2CH)**

Bit	Name	Default	Description
7:0	CHIPR	P,1AH,RO	CHIP Revision

**6.25 Transmit Control Register 2 ( 2DH )**

Bit	Name	Default	Description
7	LED	P0,RW	Led Mode 1: the LED pins act as led mode 1. 0: the led mode is default mode 0 or depending EEPROM setting.



6	RLCP	P0,RW	Retry Late Collision Packet Re-transmit the packet with late-collision 1: ENABLE 0: DISABLE
5	DTU	P0,RW	Disable TX Under run Retry Disable to re-transmit the underruned packet 1: DISABLE 0: ENABLE
4	ONEPM	P0,RW	One Packet Mode 1: only one packet transmit command can be issued before transmit completed. 0: at most two packet transmit command can be issued before transmit completed.
3~0	IFGS	P0,RW	Inter-Frame Gap Setting 0XXX: 96-bit 1000: 64-bit 1001: 72-bit 1010:80-bit 1011:88-bit 1100:96-bit 1101:104-bit 1110: 112-bit 1111:120-bit

**6.26 Operation Test Control Register ( 2EH )**

Bit	Name	Default	Description
7~6	SCC	P0,RW	System Clock Control Set the internal system clock. 00: 50Mhz 01: 20MHz 10: 100MHz 11: Reserved
5	RESERVED	P0,RW	Reserved
4	SOE	P0,RW	Internal SRAM Output-Enable Always ON
3	SCS	P0,RW	Internal SRAM Chip-Select Always ON
2~0	PHYOP	P0,RW	Internal PHY operation mode for testing

**6.27 Special Mode Control Register ( 2FH )**

Bit	Name	Default	Description
7	SM_EN	P0,RW	Special Mode 1: ENABLE 0: DISABLE
6~3	RESERVED	P0,RW	Reserved
2	FLC	P0,RW	Force Late Collision 1: ENABLE 0: DISABLE
1	FB1	P0,RW	Force Longest Back-off time 1: ENABLE 0: DISABLE



## **DM9000B**

*Ethernet Controller with General Processor Interface*

0	FB0	P0,RW	Force Shortest Back-off time 1: ENABLE 0: DISABLE
---	-----	-------	---

**6.28 Early Transmit Control/Status Register ( 30H )**

Bit	Name	Default	Description
7	ETE	PS0, RW	Early Transmit Enable 1: Enable bits[2:0] 0: DISABLE
6	ETS2	PS0, RO	Early Transmit Status II 1: has been transmit under-run 0: no transmit under-run
5	ETS1	PS0, RO	Early Transmit Status I 1: has been transmit under-run 0: no transmit under-run
4~2	RESERVED	000, RO	Reserved
1~0	ETT	PS0, RW	Early Transmit Threshold Start transmit when data write to TX FIFO reach the byte-count threshold  Bit-1 bit-0    threshold ----    ---    ----- 0    0    : 12.5% 0    1    : 25% 1    0    : 50% 1    1    : 75%

**6.29 Check Sum Control Register ( 31H )**

Bit	Name	Default	Description
7~3	RESERVED	0, RO	Reserved
2	UDPCSE	PS0, RW	UDP CheckSum Generation 1: ENABLE 0: DISABLE
1	TCPCSE	PS0, RW	TCP CheckSum Generation 1: ENABLE 0: DISABLE
0	IPCSE	PS0, RW	IP CheckSum Generation 1: ENABLE 0: DISABLE

**6.30 Receive Check Sum Status Register ( 32H )**

Bit	Name	Default	Description
7	UDPS	PS0, RO	UDP CheckSum Status 1: checksum fail, if UDP packet 0: no UDP checksum error
6	TCPS	PS0, RO	TCP CheckSum Status 1: checksum fail, if TCP packet 0: no TCP checksum error
5	IPS	PS0, RO	IP CheckSum Status 1: checksum fail, if IP packet 0: no IP checksum error



# DM9000B

Ethernet Controller with General Processor Interface

4	UDPP	PS0,RO	UDP Packet of current received packet 1: UDP packet 0: non UDP packet
3	TCP	PS0,RO	TCP Packet of current received packet 1: TCP Packet 0: non TCP Packet
2	IPP	PS0,RO	IP Packet of current received packet 1: IP Packet 0: non IP Packet
1	RCSEN	PS0,RW	Receive CheckSum Checking Enable When set, the checksum status (bit 7~2) will be stored in packet's first byte(bit 7~2) of status header respectively. 1: ENABLE 0: DISABLE
0	DCSE	PS0,RW	Discard CheckSum Error Packet When set, if IP/TCP/UDP checksum field is error, this packet will be discarded. 1: ENABLE 0: DISABLE

**6.31 MII PHY Address Register ( 33H )**

Bit	Name	Default	Description
7	ADR_EN	HPS0,R W	Redefine PHY Address 1: ENABLE 0: DISABLE
6~5	Reserved	HPS0,RO	Reserved
4~0	EPHYADR	HPS01,R W	Redefined PHY Address Bit 4~0 The PHY address field in MII Management Interface format.

**6.32 LED Pin Control Register ( 34H )**

Bit	Name	Default	Description
7:2	Reserved	PS0,RO	Reserved
1	GPIO	P0,RW	LED act as General Purpose signals in 16-bit mode 1: Pin 38/39 (LED2/1) act as the general purpose pins that are controlled by registers 1Eh bit 2/1 and 1Fh bit 2/1 respectively. 0: DISABLE
0	MII	P0,RW	LED act as SMI signals in 16-bit mode 1: Pin 38/39 (LED2/1) act as the MII Management Interface mode. In this mode, the LED1 act as data (MDIO) signal and the LED2 act as sourced clock (MDC) signal. These two pin are controlled by registers 0Bh,0Ch, and 0Dh. 0: DISABLE

**6.33 Processor Bus Control Register ( 38H )**

Bit	Name	Default	Description
7	Reserved	P0,RW	Reserved
6:5	CURR	P00,RW	Data Bus Current Driving/Sinking Capability 00: 2mA (default) 01: 4mA 10: 6mA 11: 8mA
4	Reserved	P0,RW	Reserved
3	EST	P0,RW	Enable Schmitt Trigger 1: Pin 35/36/37 (IOR/IOW/CS#) have Schmitt trigger capability. 0: DISABLE
2	Reserved	P0,RW	Reserved
1	IOW_SPIKE	P0,RW	Eliminate IOW spike 1: eliminate about 2ns IOW spike 0: DISABLE
0	IOR_SPIKE	P1,RW	Eliminate IOR spike 1: eliminate about 2ns IOR spike 0: DISABLE

**6.34 INT Pin Control Register ( 39H )**

Bit	Name	Default	Description
7:2	Reserved	PS0,RO	Reserved
1	INT_TYPE	PET0,RW	INT Pin Output Type Control 1: INT Open-Collector output 0: INT direct output
0	INT_POL	PET0,RW	INT Pin Polarity Control 1: INT active low 0: INT active high

**6.35 System Clock Turn ON Control Register ( 50H )**

Bit	Name	Default	Description
7:1	Reserved	-	Reserved
0	DIS_CLK	P0,W	Stop Internal System Clock 1: internal system clock turn off, internal PHYceiver also power down 0: internal system clock is ON

**6.36 Resume System Clock Control Register ( 51H )**

When the INDEX port set to 51H, the internal system clock is turn ON.

**6.37 Memory Data Pre-Fetch Read Command without Address Increment Register (F0H)**

Bit	Name	Default	Description
7:0	MRCMDX	X,RO	Read data from RX SRAM. After the read of this command, the read pointer of internal SRAM is unchanged. And the DM9000B starts to pre-fetch the SRAM data to internal data buffers.

**6.38 Memory Data Read Command without Address Increment Register (F1H)**

Bit	Name	Default	Description
7:0	MRCMDX1	X,RO	Read data from RX SRAM. After the read of this command, the read pointer of internal SRAM is unchanged

**6.39 Memory Data Read Command with Address Increment Register (F2H)**

Bit	Name	Default	Description
7:0	MRCMD	X,RO	Read data from RX SRAM. After the read of this command, the read pointer is increased by 1 or 2 depends on the operator mode (8-bit or 16-bit respectively)

**6.40 Memory Data Read address Register (F4H~F5H)**

Bit	Name	Default	Description
7:0	MDRAH	PS0,RW	Memory Data Read_ addresses High Byte. It will be set to 0Ch, when IMR bit7 =1
7:0	MDRAL	PS0,RW	Memory Data Read_ address Low Byte

**6.41 Memory Data Write Command without Address Increment Register (F6H)**

Bit	Name	Default	Description
7:0	MWCMDX	X,WO	Write data to TX SRAM. After the write of this command, the write pointer is unchanged

**6.42 Memory data write command with address increment Register (F8H)**

Bit	Name	Default	Description
7:0	MWCMD	X,WO	Write Data to TX SRAM After the write of this command, the write pointer is increased by 1 or 2, depends on the operator mode. (8-bit or 16-bit respectively)

**6.43 Memory data write address Register (FAH~FBH)**

Bit	Name	Default	Description
7:0	MDWAH	PS0,RW	Memory Data Write_ address High Byte
7:0	MDWAL	PS0,RW	Memory Data Write_ address Low Byte

**6.44 TX Packet Length Register (FCH~FDH)**

Bit	Name	Default	Description
7:0	TXPLH	X,R,W	TX Packet Length High byte
7:0	TXPLL	X,,R,W	TX Packet Length Low byte

**6.45 Interrupt Status Register (FEH)**

Bit	Name	Default	Description
7	IOMODE	T0, RO	0: 16-bit mode 1: 8-bit mode
6	RESERVED	RO	Reserved
5	LNKCHG	PS0,RW/C1	Link Status Change 1: Affirmative 0: Negative
4	UDRUN	PS0,RW/C1	Transmit Under-run 1: Affirmative 0: Negative
3	ROO	PS0,RW/C1	Receive Overflow Counter Overflow 1: Affirmative 0: Negative
2	ROS	PS0,RW/C1	Receive Overflow 1: Affirmative 0: Negative
1	PT	PS0,RW/C1	Packet Transmitted 1: Affirmative 0: Negative
0	PR	PS0,RW/C1	Packet Received 1: Affirmative 0: Negative

**6.46 Interrupt Mask Register (FFH)**

Bit	Name	Default	Description
-----	------	---------	-------------



# DM9000B

## Ethernet Controller with General Processor Interface

7	PAR	PS0,RW	Enable the SRAM read/write pointer to automatically return to the start address when pointer addresses are over the SRAM size. Driver needs to set. When driver sets this bit, REG_F5 will set to 0Ch automatically 1: ENABLE 0: DISABLE
6	RESERVED	RO	Reserved
5	LNKCHGI	PS0,RW	Enable Link Status Change Interrupt 1: ENABLE 0: DISABLE
4	UDRUNI	PS0,RW	Enable Transmit Under-run Interrupt 1: ENABLE 0: DISABLE
3	ROOI	PS0,RW	Enable Receive Overflow Counter Overflow Interrupt 1: ENABLE 0: DISABLE
2	ROI	PS0,RW	Enable Receive Overflow Interrupt 1: ENABLE 0: DISABLE
1	PTI	PS0,RW	Enable Packet Transmitted Interrupt 1: ENABLE 0: DISABLE
0	PRI	PS0,RW	Enable Packet Received Interrupt 1: ENABLE 0: DISABLE



**7. EEPROM Format**

name	Word	offset	Description
MAC address	0	0~5	6 Byte Ethernet Address
Auto Load Control	3	6-7	Bit 1:0=01: Update vendor ID and product ID Bit 3:2=01: Accept setting of WORD6 [8:0] Bit 5:4=01: reserved Bit 7:6=01: Accept setting of WORD7 [3:0] (in 8-bit mode) Bit 9:8=01: reserved Bit 11:10=01: Accept setting of WORD7 [7] Bit 13:12=01: Accept setting of WORD7 [8] Bit 15:14=01: Accept setting of WORD7 [15:12]
Vendor ID	4	8-9	2 byte vendor ID (Default: 0A46H)
Product ID	5	10-11	2 byte product ID (Default: 9000H)
Pin control	6	12-13	When word 3 bit [3:2]=01, these bits can control the CS#, IOR#, IOW# and INT pins polarity. Bit0: CS# pin is active low when set (default active low) Bit1: IOR# pin is active low when set (default: active low) Bit2: IOW# pin is active low when set (default: active low) Bit3: INT pin is active low when set (default: active high) Bit4: INT pin is open-collected (default: force output) Bit 15:5: Reserved
Wake-up mode control	7	14-15	Bit0: The WAKE pin is active low when set (default: active high) Bit1: The WAKE pin is in pulse mode when set (default: level mode) Bit2: magic wakeup event is enabled when set. (default: disable) Bit3: link change wakeup event is enabled when set (default disable) Bit6:4: reserved Bit7: LED mode 1 (default: mode 0) Bit8: internal PHY is enabled after power-on (default: disable) Bit11:9: reserved Bit13:12:00 or 11 for normal LED function Bit13:12: 01 (reserved for test only) Bit13:12: 10 LED2 act as WAKE in 16-bit mode Bit14: 1: HP Auto-MDIX ON, 0: HP Auto-MDIX OFF(default ON) Bit 15: 0: LED1 normal function 1: reserved for test only

## 8. PHY Register Description

ADD	Name	15	14	13	12	11	10	9	8	7	6	5	4	3	2	1	0	
00	CONTR OL	Reset	Loop back	Speed select	Auto-N Enable	Power Down	Isolate	Restart Auto-N	Full Duplex	Coll. Test	Reserved							
		0	0	1	1	0	0	0	1	0	000_0000							
01	STATUS	T4 Cap.	TX FDX Cap.	TX HDX Cap.	10 FDX Cap.	10 HDX Cap.	Reserved				Pream. Supr.	Auto-N Compl.	Remote Fault	Auto-N Cap.	Link Status	Jabber Detect	Extd Cap.	
		0	1	1	1	1	0000				1	0	0	1	0	0	0	1
02	PHYID1	0	0	0	0	0	0	0	1	1	0	0	0	0	0	0	1	
03	PHYID2	1	0	1	1	1	0	Model No.					Version No.					
																	0000	
04	Auto-Neg. Advertise	Next Page	FLP Rcv Ack	Remote Fault	Reserved		FC Adv	T4 Adv	TX FDX Adv	TX HDX Adv	10 FDX Adv	10 HDX Adv	Advertised Protocol Selector Field					
05	Link Part. Ability	LP Next Page	LP Ack	LP RF	Reserved		LP FC	LP T4	LP TX FDX	LP TX HDX	LP 10 FDX	LP 10 HDX	Link Partner Protocol Selector Field					
06	Auto-Neg. Expansion	Reserved										Pardet Fault	LP Next Pg Able	Next Pg Able	New Pg Rcv	LP AutoN Cap.		
16	Specified Config.	BP 4B5B	BP SCR	BP ALIGN	BP_ADP OK	Reserve dr	TX	Reserve d	Reserve d	Force 100LNK	Reserve d	Reserve d	RPDCTR -EN	Reset St. Mch	Pream. Supr.	Sleep mode	Remote LoopOut	
17	Specified Conf/Stat	100 FDX	100 HDX	10 FDX	10 HDX	Reserve d	Reverse d	Reverse d	PHY ADDR [4:0]				Auto-N. Monitor Bit [3:0]					
18	10T Conf/Stat	Rsvd	LP Enable	HBE Enable	SQUE Enable	JAB Enable	Reserve d	Reserved								Polarity Reverse		
19	PWDOR	Reserved							PD10DRV	PD100I	PDchip	PDorm	PDaeq	PDdrv	PDedi	PDdeco	PD10	
20	Specified config	TSTSE1	TSTSE2	FORCE_TXSD	FORCE_FEF	PREAMBLEX	TX10M	NWAY_PWR	Reserve d	MDIX_C NTL	AutoNeg_lpbk	Mdx_fix Value	Mdx_dow	MonSel1	MonSel0	Reserve d	PD_valu e	
27	DSP	DSP Control																
29	PSCR	Reserved				PREAMBLEX	AMPLITUDE	TX_PWR	Reserved									

### Key to Default

In the register description that follows, the default column takes the form:  
 <Reset Value>, <Access Type> / <Attribute(s)>

<Access Type>:  
 RO = Read only  
 RW = Read/Write

Where :

<Reset Value>:  
 1 Bit set to logic one  
 0 Bit set to logic zero  
 X No default value

<Attribute (s)>:  
 SC = Self clearing  
 P = Value permanently set  
 LL = Latching low  
 LH = Latching high

**8.1 Basic Mode Control Register (BMCR) - 00**

Bit	Bit Name	Default	Description
0.15	Reset	0, RW/SC	Reset 1=Software reset 0=Normal operation This bit sets the status and controls the PHY registers to their default states. This bit, which is self-clearing, will keep returning a value of one until the reset process is completed
0.14	Loop-back	0, RW	Loop-back Loop-back control register 1 = Loop-back enabled 0 = Normal operation When in 100Mbps operation mode, setting this bit may cause the descrambler to lose synchronization and produce a 720ms "dead time" before receive
0.13	Speed selection	1, RW	Speed Select 1 = 100Mbps 0 = 10Mbps Link speed may be selected either by this bit or by auto-negotiation. When auto-negotiation is enabled and bit 12 is set, this bit will return auto-negotiation selected medium type
0.12	Auto-negotiation enable	1, RW	Auto-negotiation Enable 1 = Auto-negotiation is enabled, bit 8 and 13 will be in auto-negotiation status 2 = DISABLE
0.11	Power down	0, RW	Power Down While in the power-down state, the PHY should respond to management transactions. 1=Power down 0=Normal operation
0.10	Isolate	0,RW	Isolate Force to 0 in application.
0.9	Restart Auto-negotiation	0,RW/SC	Restart Auto-negotiation 1 = Restart auto-negotiation. Re-initiates the auto-negotiation process. When auto-negotiation is disabled (bit 12 of this register cleared), this bit has no function and it should be cleared. This bit is self-clearing and it will keep returning to a value of 1 until auto-negotiation is initiated by the DM9000B. The operation of the auto-negotiation process will not be affected by the management entity that clears this bit 0 = Normal operation
0.8	Duplex mode	1,RW	Duplex Mode 1 = Full duplex operation. Duplex selection is allowed when Auto-negotiation is disabled (bit 12 of this register is cleared). With auto-negotiation enabled, this bit reflects the duplex capability selected by auto-negotiation 0 = Normal operation
0.7	Collision test	0,RW	Collision Test 1 = Collision test enabled. When set, this bit will cause the collision asserted during the transmit period. 0 = Normal operation
0.6-0.0	Reserved	0,RO	Reserved



			Read as 0, ignore on write
--	--	--	----------------------------

**8.2 Basic Mode Status Register (BMSR) - 01**

Bit	Bit Name	Default	Description
1.15	100BASE-T4	0,RO/P	100BASE-T4 Capable 1 = DM9000B is able to perform in 100BASE-T4 mode 0 = DM9000B is not able to perform in 100BASE-T4 mode
1.14	100BASE-TX full-duplex	1,RO/P	100BASE-TX Full Duplex Capable 1 = DM9000B is able to perform 100BASE-TX in full duplex mode 0 = DM9000B is not able to perform 100BASE-TX in full duplex mode
1.13	100BASE-TX half-duplex	1,RO/P	100BASE-TX Half Duplex Capable 1 = DM9000B is able to perform 100BASE-TX in half duplex mode 0 = DM9000B is not able to perform 100BASE-TX in half duplex mode
1.12	10BASE-T full-duplex	1,RO/P	10BASE-T Full Duplex Capable 1 = DM9000B is able to perform 10BASE-T in full duplex mode 0 = DM9000B is not able to perform 10BASE-TX in full duplex mode
1.11	10BASE-T half-duplex	1,RO/P	10BASE-T Half Duplex Capable 1 = DM9000B is able to perform 10BASE-T in half duplex mode 0 = DM9000B is not able to perform 10BASE-T in half duplex mode
1.10-1.7	Reserved	0,RO	Reserved Read as 0, ignore on write
1.6	MF preamble suppression	1,RO	Frame Preamble Suppression 1 = PHY will accept management frames with preamble suppressed 0 = PHY will not accept management frames with preamble suppressed
1.5	Auto-negotiation Complete	0,RO	Auto-negotiation Complete 1 = Auto-negotiation process completed 0 = Auto-negotiation process not completed
1.4	Remote fault	0, RO/LH	Remote Fault 1 = Remote fault condition detected (cleared on read or by a chip reset). Fault criteria and detection method is DM9000B implementation specific. This bit will set after the RF bit in the ANLPAR (bit 13, register address 05) is set 0 = No remote fault condition detected
1.3	Auto-negotiation ability	1,RO/P	Auto Configuration Ability 1 = DM9000B is able to perform auto-negotiation 0 = DM9000B is not able to perform auto-negotiation
1.2	Link status	0,RO/LL	Link Status 1 = Valid link is established (for either 10Mbps or 100Mbps operation) 0 = Link is not established The link status bit is implemented with a latching function, so that the occurrence of a link failure condition causes the link status bit to be cleared and remain cleared until it is read via the management interface



# DM9000B

Ethernet Controller with General Processor Interface

1.1	Jabber detect	0, RO/LH	Jabber Detect 1 = Jabber condition detected 0 = No jabber This bit is implemented with a latching function. Jabber conditions will set this bit unless it is cleared by a read to this register through a management interface or a DM9000B reset. This bit works only in 10Mbps mode
1.0	Extended capability	1,RO/P	Extended Capability 1 = Extended register capable 0 = Basic register capable only

### 8.3 PHY ID Identifier Register #1 (PHYID1) - 02

The PHY Identifier Registers #1 and #2 work together in a single identifier of the DM9000B. The Identifier consists of a concatenation of the Organizationally Unique Identifier (OUI), a vendor's model number, and a model revision number. DAVICOM Semiconductor's IEEE assigned OUI is 00606E.

Bit	Bit Name	Default	Description
2.15-2.0	OUI_MSB	<0181h>	OUI Most Significant Bits This register stores bit 3 to 18 of the OUI (00606E) to bit 15 to 0 of this register respectively. The most significant two bits of the OUI are ignored (the IEEE standard refers to these as bit 1 and 2)

### 8.4 PHY ID Identifier Register #2 (PHYID2) - 03

Bit	Bit Name	Default	Description
3.15-3.10	OUI_LSB	<101110>, RO/P	OUI Least Significant Bits Bit 19 to 24 of the OUI (00606E) are mapped to bit 15 to 10 of this register respectively
3.9-3.4	VNDR_MDL	<001011>, RO/P	Vendor Model Number Five bits of vendor model number mapped to bit 9 to 4 (most significant bit to bit 9)
3.3-3.0	MDL_REV	<0000>, RO/P	Model Revision Number Five bits of vendor model revision number mapped to bit 3 to 0 (most significant bit to bit 4)

**8.5 Auto-negotiation Advertisement Register (ANAR) - 04**

This register contains the advertised abilities of this DM9000B device as they will be transmitted to its link partner during Auto-negotiation.

Bit	Bit Name	Default	Description
4.15	NP	0,RO/P	Next page Indication 1 = Next page available 0 = No next page available The DM9000B has no next page, so this bit is permanently set to 0
4.14	ACK	0,RO	Acknowledge 1 = Link partner ability data reception acknowledged 0 = Not acknowledged The DM9000B's auto-negotiation state machine will automatically control this bit in the outgoing FLP bursts and set it at the appropriate time during the auto-negotiation process. Software should not attempt to write to this bit.
4.13	RF	0, RW	Remote Fault 1 = Local device senses a fault condition 0 = No fault detected
4.12 -4.11	Reserved	X, RW	Reserved Write as 0, ignore on read
4.10	FCS	0, RW	Flow Control Support 1 = Controller chip supports flow control ability 0 = Controller chip doesn't support flow control ability
4.9	T4	0, RO/P	100BASE-T4 Support 1 = 100BASE-T4 is supported by the local device 0 = 100BASE-T4 is not supported The DM9000B does not support 100BASE-T4 so this bit is permanently set to 0
4.8	TX_FDX	1, RW	100BASE-TX Full Duplex Support 1 = 100BASE-TX full duplex is supported by the local device 0 = 100BASE-TX full duplex is not supported
4.7	TX_HDX	1, RW	100BASE-TX Support 1 = 100BASE-TX half duplex is supported by the local device 0 = 100BASE-TX half duplex is not supported
4.6	10_FDX	1, RW	10BASE-T Full Duplex Support 1 = 10BASE-T full duplex is supported by the local device 0 = 10BASE-T full duplex is not supported
4.5	10_HDX	1, RW	10BASE-T Support 1 = 10BASE-T half duplex is supported by the local device 0 = 10BASE-T half duplex is not supported
4.4-4.0	Selector	<00001>, RW	Protocol Selection Bits These bits contain the binary encoded protocol selector supported by this node <00001> indicates that this device supports IEEE 802.3 CSMA/CD

**8.6 Auto-negotiation Link Partner Ability Register (ANLPAR) – 05**

This register contains the advertised abilities of the link partner when received during Auto-negotiation.

Bit	Bit Name	Default	Description
5.15	NP	0, RO	Next Page Indication 1 = Link partner, next page available 0 = Link partner, no next page available
5.14	ACK	0, RO	Acknowledge 1 = Link partner ability data reception acknowledged 0 = Not acknowledged The DM9000B's auto-negotiation state machine will automatically control this bit from the incoming FLP bursts. Software should not attempt to write to this bit
5.13	RF	0, RO	Remote Fault 1 = Remote fault indicated by link partner 0 = No remote fault indicated by link partner
5.12 -5.11	Reserved	0, RO	Reserved Read as 0, ignore on write
5.10	FCS	0, RO	Flow Control Support 1 = Controller chip supports flow control ability by link partner 0 = Controller chip doesn't support flow control ability by link partner
5.9	T4	0, RO	100BASE-T4 Support 1 = 100BASE-T4 is supported by the link partner 0 = 100BASE-T4 is not supported by the link partner
5.8	TX_FDX	0, RO	100BASE-TX Full Duplex Support 1 = 100BASE-TX full duplex is supported by the link partner 0 = 100BASE-TX full duplex is not supported by the link partner
5.7	TX_HDX	0, RO	100BASE-TX Support 1 = 100BASE-TX half duplex is supported by the link partner 0 = 100BASE-TX half duplex is not supported by the link partner
5.6	10_FDX	0, RO	10BASE-T Full Duplex Support 1 = 10BASE-T full duplex is supported by the link partner 0 = 10BASE-T full duplex is not supported by the link partner
5.5	10_HDX	0, RO	10BASE-T Support 1 = 10BASE-T half duplex is supported by the link partner 0 = 10BASE-T half duplex is not supported by the link partner
5.4-5.0	Selector	<00000>, RO	Protocol Selection Bits Link partner's binary encoded protocol selector

**8.7 Auto-negotiation Expansion Register (ANER)- 06**

Bit	Bit Name	Default	Description
6.15-6.5	Reserved	0, RO	Reserved Read as 0, ignore on write
6.4	PDF	0, RO/LH	Local Device Parallel Detection Fault PDF = 1: A fault detected via parallel detection function. PDF = 0: No fault detected via parallel detection function
6.3	LP_NP_ABLE	0, RO	Link Partner Next Page Able LP_NP_ABLE = 1: Link partner, next page available LP_NP_ABLE = 0: Link partner, no next page



# DM9000B

## Ethernet Controller with General Processor Interface

6.2	NP_ABLE	0,RO/P	Local Device Next Page Able NP_ABLE = 1: DM9000B, next page available NP_ABLE = 0: DM9000B, no next page DM9000B does not support this function, so this bit is always 0
6.1	PAGE_RX	0, RO/LH	New Page Received A new link code word page received. This bit will be automatically cleared when the register (register 6) is read by management 1 = ENABLE 2 = DISABLE
6.0	LP_AN_ABLE	0, RO	Link Partner Auto-negotiation Able 1 = A "1" in this bit indicates that the link partner supports Auto-negotiation 2 = DISABLE

### 8.8 DAVICOM Specified Configuration Register (DSCR) - 16

Bit	Bit Name	Default	Description
16.15	BP_4B5B	0,RW	Bypass 4B5B Encoding and 5B4B Decoding 1 = 4B5B encoder and 5B4B decoder function bypassed 0 = Normal 4B5B and 5B4B operation
16.14	BP_SCR	0, RW	Bypass Scrambler/Descrambler Function 1 = Scrambler and descrambler function bypassed 0 = Normal scrambler and descrambler operation
16.13	BP_ALIGN	0, RW	Bypass Symbol Alignment Function 1 = Receive functions (descrambler, symbol alignment and symbol decoding functions) bypassed. Transmit functions (symbol encoder and scrambler) bypassed 0 = Normal operation
16.12	BP_ADPOK	0, RW	BYPASS ADPOK Force signal detector (SD) active. This register is for debug only, not release to customer 1=Forced SD is OK, 0=Normal operation
16.11	Reserved	0, RW	Reserved Force to 0 in application.
16.10	TX/FX	1, RW	100BASE-TX/FX Mode Control 1 = 100BASE-TX operation 0 = 100BASE-FX operation
16.9	Reserved	0, RO	Reserved
16.8	Reserved	0, RW	Reserved Force to 0 in application.
16.7	F_LINK_100	0, RW	Force Good Link in 100Mbps 1 = Force 100Mbps good link status 0 = Normal 100Mbps operation This bit is useful for diagnostic purposes
16.6	SPLED_CTL	0, RW	Reserved Force to 0 in application.
16.5	COLLED_CTL	0, RW	Reserved Force to 0 in application.
16.4	RPDCTR-EN	1, RW	Reduced Power Down Control Enable This bit is used to enable automatic reduced power down





			1 = Enable automatic reduced power down 0 = Disable automatic reduced power down
16.3	SMRST	0, RW	Reset State Machine When writes 1 to this bit, all state machines of PHY will be reset. This bit is self-clear after reset is completed 1 = ENABLE 2 = DISABLE
16.2	MFPSC	1, RW	MF Preamble Suppression Control Frame preamble suppression control bit 1 = MF preamble suppression bit on 0 = MF preamble suppression bit off
16.1	SLEEP	0, RW	Sleep Mode Writing a 1 to this bit will cause PHY entering the Sleep mode and power down all circuit except oscillator and clock generator circuit. When waking up from Sleep mode (write this bit to 0), the configuration will go back to the state before sleep; but the state machine will be reset
16.0	RLOUT	0, RW	Remote Loop out Control 1 = When this bit is set to 1, the received data will loop out to the transmit channel. This is useful for bit error rate testing 2 = DISABLE

**8.9 DAVICOM Specified Configuration and Status Register (DCSR) - 17**

Bit	Bit Name	Default	Description
17.15	100FDX	1, RO	100M Full Duplex Operation Mode After auto-negotiation is completed, results will be written to this bit. If this bit is 1, it means the operation 1 mode is a 100M full duplex mode. The software can read bit [15:12] to see which mode is selected after auto-negotiation. This bit is invalid when it is not in the auto-negotiation mode
17.14	100HDX	1, RO	100M Half Duplex Operation Mode After auto-negotiation is completed, results will be written to this bit. If this bit is 1, it means the operation 1 mode is a 100M half duplex mode. The software can read bit [15:12] to see which mode is selected after auto-negotiation. This bit is invalid when it is not in the auto-negotiation mode
17.13	10FDX	1, RO	10M Full Duplex Operation Mode After auto-negotiation is completed, results will be written to this bit. If this bit is 1, it means the operation 1 mode is a 10M Full Duplex mode. The software can read bit [15:12] to see which mode is selected after auto-negotiation. This bit is invalid when it is not in the auto-negotiation mode
17.12	10HDX	1, RO	10M Half Duplex Operation Mode



			After auto-negotiation is completed, results will be written to this bit. If this bit is 1, it means the operation 1 mode is a 10M half duplex mode. The software can read bit [15:12] to see which mode is selected after auto-negotiation. This bit is invalid when it is not in the auto-negotiation mode																																																		
17.11 -17.9	Reserved	0, RO	Reserved Read as 0, ignore on write																																																		
17.8 -17.4	PHYADR[4:0]	(PHYADR), RW	PHY Address Bit 4:0 The first PHY address bit transmitted or received is the MSB of the address (bit 4). A station management entity connected to multiple PHY entities must know the appropriate address of each PHY																																																		
17.3 -17.0	ANMB[3:0]	0, RO	Auto-negotiation Monitor Bits These bits are for debug only. The auto-negotiation status will be written to these bits.  <table border="1" style="margin-left: 40px;"> <thead> <tr> <th>B3</th> <th>B2</th> <th>B1</th> <th>B0</th> <th></th> </tr> </thead> <tbody> <tr> <td>0</td> <td>0</td> <td>0</td> <td>0</td> <td>In IDLE state</td> </tr> <tr> <td>0</td> <td>0</td> <td>0</td> <td>1</td> <td>Ability match</td> </tr> <tr> <td>0</td> <td>0</td> <td>1</td> <td>0</td> <td>Acknowledge match</td> </tr> <tr> <td>0</td> <td>0</td> <td>1</td> <td>1</td> <td>Acknowledge match fail</td> </tr> <tr> <td>0</td> <td>1</td> <td>0</td> <td>0</td> <td>Consistency match</td> </tr> <tr> <td>0</td> <td>1</td> <td>0</td> <td>1</td> <td>Consistency match fail</td> </tr> <tr> <td>0</td> <td>1</td> <td>1</td> <td>0</td> <td>Parallel detects signal_link_ready</td> </tr> <tr> <td>0</td> <td>1</td> <td>1</td> <td>1</td> <td>Parallel detects signal_link_ready fail</td> </tr> <tr> <td>1</td> <td>0</td> <td>0</td> <td>0</td> <td>Auto-negotiation completed successfully</td> </tr> </tbody> </table>	B3	B2	B1	B0		0	0	0	0	In IDLE state	0	0	0	1	Ability match	0	0	1	0	Acknowledge match	0	0	1	1	Acknowledge match fail	0	1	0	0	Consistency match	0	1	0	1	Consistency match fail	0	1	1	0	Parallel detects signal_link_ready	0	1	1	1	Parallel detects signal_link_ready fail	1	0	0	0	Auto-negotiation completed successfully
B3	B2	B1	B0																																																		
0	0	0	0	In IDLE state																																																	
0	0	0	1	Ability match																																																	
0	0	1	0	Acknowledge match																																																	
0	0	1	1	Acknowledge match fail																																																	
0	1	0	0	Consistency match																																																	
0	1	0	1	Consistency match fail																																																	
0	1	1	0	Parallel detects signal_link_ready																																																	
0	1	1	1	Parallel detects signal_link_ready fail																																																	
1	0	0	0	Auto-negotiation completed successfully																																																	

**8.10 10BASE-T Configuration/Status (10BTCSR) - 18**

Bit	Bit Name	Default	Description
18.15	Reserved	0, RO	Reserved Read as 0, ignore on write
18.14	LP_EN	1, RW	Link Pulse Enable 1 = Transmission of link pulses enabled 0 = Link pulses disabled, good link condition forced This bit is valid only in 10Mbps operation
18.13	HBE	1, RW	Heartbeat Enable 1 = Heartbeat function enabled 0 = Heartbeat function disabled When the DM9000B is configured for full duplex operation, this bit will be ignored (the collision/heartbeat function is invalid in full duplex mode), This bit is valid only in 10Mbps operation.
18.12	SQUELCH	1, RW	Squelch Enable 1 = Normal squelch 0 = Low squelch
18.11	JABEN	1, RW	Jabber Enable Enables or disables the Jabber function when the DM9000B is in 10BASE-T full duplex or 10BASE-T transceiver Loop-back mode 1 = Jabber function enabled 0 = Jabber function disabled
18.10	Reserved	0, RW	Reserved Force to 0, in application.



18.9 -18.1	Reserved	0, RO	Reserved Read as 0, ignore on write
18.0	POLR	0, RO	Polarity Reversed When this bit is set to 1, it indicates that the 10Mbps cable polarity is reversed. This bit is automatically set and cleared by 10BASE-T module

**8.11 Power down Control Register (PWDOR) - 19**

Bit	Bit Name	Default	Description
19.15 -19.9	Reserved	0, RO	Reserved Read as 0, ignore on write
19.8	PD10DRV	0, RW	Vendor power down control test
19.7	PD100DL	0, RW	Vendor power down control test
19.6	PDchip	0, RW	Vendor power down control test
19.5	PDcom	0, RW	Vendor power down control test
19.4	PDaeq	0, RW	Vendor power down control test
19.3	PDdrv	0, RW	Vendor power down control test
19.2	PDedi	0, RW	Vendor power down control test
19.1	PDedo	0, RW	Vendor power down control test
19.0	PD10	0, RW	Vendor power down control test

\* When selected, the power down value is control by Register 20.0

**8.12 (Specified config) Register – 20**

Bit	Bit Name	Default	Description
20.15	TSTSE1	0,RW	Vendor test select control
20.14	TSTSE2	0,RW	Vendor test select control
20.13	FORCE_TXSD	0,RW	Force Signal Detect 1: force SD signal OK in 100M 0: normal SD signal.
20.12	FORCE_FEF	0,RW	Vendor test select control
20.11	PREAMBLEX	0,RW	Preamble Saving Control 0: when bit 10 is set, the 10BASE-T transmit preamble count is reduced. When bit 11 of register 1DH is set, 12-bit preamble is reduced; otherwise 22-bit preamble is reduced. 1: transmit preamble bit count is normal in 10BASE-T mode
20.10	TX10M_PWR	0,RW	10BASE-T mode Transmit Power Saving Control 1: enable transmit power saving in 10BASE-T mode 0: disable transmit power saving in 10BASE-T mode
20.9	NWAY_PWR	0,RW	Auto-negotiation Power Saving Control 1: disable power saving during auto-negotiation period 0: enable power saving during auto-negotiation period
20.8	Reserved	0, RO	Reserved Read as 0, ignore on write
20.7	MDIX_CNTL	MDI/MDIX,RO	The polarity of MDI/MDIX value 1: MDIX mode 0: MDI mode

20.6	AutoNeg_lpbk	0,RW	Auto-negotiation Loop-back 1: test internal digital auto-negotiation Loop-back 0: normal.
20.5	Mdix_fix Value	0, RW	MDIX_CNTL force value: When Mdix_down = 1, MDIX_CNTL value depend on the register value.
20.4	Mdix_down	0,RW	HP Auto-MDIX Down Manual force MDI/MDIX. 1: Disable HP Auto-MDIX , MDIX_CNTL value depend on 20.5 0: Enable HP Auto-MDIX
20.3	MonSel1	0,RW	Vendor monitor select
20.2	MonSel0	0,RW	Vendor monitor select
20.1	Reserved	0,RW	Reserved Force to 0, in application.
20.0	PD_value	0,RW	Power down control value Decision the value of each field Register 19. 1: power down 0: normal

**8.13 DSP Control Register (PSCR) – 27**

Bit	Bit Name	Default	Description
27.15-0	DSP	0,RW	DSP Control (for internal testing only)

**8.14 Power Saving Control Register (PSCR) – 29**

Bit	Bit Name	Default	Description
29.15-12	RESERVED	0,RO	RESERVED
29.11	PREAMBLEX	0,RW	Preamble Saving Control when both bit 10 and 11 of register 14H are set, the 10BASE-T transmit preamble count is reduced. 1: 12-bit preamble is reduced. 0: 22-bit preamble is reduced.
29.10	AMPLITUDE	0,RW	Transmit Amplitude Control Disabled 1: when cable is unconnected with link partner, the TX amplitude is reduced for power saving. 0: disable Transmit amplitude reduce function
29.9	TX_PWR	0,RW	Transmit Power Saving Control Disabled 1: when cable is unconnected with link partner, the driving current of transmit is reduced for power saving. 0: disable transmit driving power saving function
29.8-0	RESERVED	0,RO	RESERVED

## 9. Functional Description

### 9.1 Host Interface

The host interface is a general processor local bus that using chip select (pin CS#) to access DM9000B. Pin CS# is default low active which can be re-defined by EEPROM setting.

There are only two addressing ports through the access of the host interface. One port is the INDEX port and the other is the DATA port. The INDEX port is decoded by the pin CMD =0 and the DATA port by the pin CMD =1. The contents of the INDEX port are the register address of the DATA port. Before the access of any register, the address of the register must be saved in the INDEX port.

### 9.2 Direct Memory Access Control

The DM9000B provides DMA capability to simplify the access of the internal memory. After the programming of the starting address of the internal memory and then issuing a dummy read/write command to load the current data to internal data buffer, the desired location of the internal memory can be accessed by the read/write command registers. The memory's address will be increased with the size that equals to the current operation mode (i.e. the 8-bit or 16-bit mode) and the data of the next location will be loaded into internal data buffer automatically. It is noted that the data of the first access (the dummy read/write command) in a sequential burst should be ignored because that the data was the contents of the last read/write command.

The internal memory size is 16K bytes. The first location of 3K bytes is used for the data buffer of the packet transmission. The other 13K bytes are used for the buffer of the receiving packets. So in the write memory operation, when the bit 7 of IMR is set, the memory address increment will wrap to location 0 if the end of address (i.e. 3K) is reached. In a similar way, in the read memory operation, when the bit 7 of

IMR is set, the memory address increment will wrap to location 0x0C00 if the end of address (i.e. 16K) is reached.

### 9.3 Packet Transmission

There are two packets, sequentially named as index I and index II, can be stored in the TX SRAM at the same time. The index register 02h controls the insertion of CRC and pads. Their statuses are recorded at index registers 03h and 04h respectively.

The start address of transmission is 00h and the current packet is index I after software or hardware reset. Firstly write data to the TX SRAM using the DMA port and then write the byte count to byte\_count register at index register 0fch and 0fdh. Set the bit 1 of control register. The DM9000B starts to transmit the index I packet. Before the transmission of the index I packet ends, the data of the next (index II) packet can be moved to TX SRAM. After the index I packet ends the transmission, write the byte count data of the index II to BYTE\_COUNT register and then set the bit 1 of control register to transmit the index II packet. The following packets, named index I, II, I, II, ..., use the same way to be transmitted.

### 9.4 Packet Reception

The RX SRAM is a ring data structure. The start address of RX SRAM is 0C00h after software or hardware reset. Each packet has a 4-byte header followed with the data of the reception packet which CRC field is included. The format of the 4-byte header is 01h, status, BYTE\_COUNT low, and BYTE\_COUNT high. It is noted that the start address of each packet is in the proper address boundary which depends on the operation mode (the 8-bit or 16-bit).

## 9.5 100Base-TX Operation

The transmitter section contains the following functional blocks:

- 4B5B Encoder
- Scrambler
- Parallel to Serial Converter
- NRZ to NRZI Converter
- NRZI to MLT-3
- MLT-3 Driver

### 9.5.1 4B5B Encoder

The 4B5B encoder converts 4-bit (4B) nibble data generated by the MAC Reconciliation Layer into a 5-bit (5B) code group for transmission, see reference Table 1. This conversion is required for control and packet data to be combined in code groups. The 4B5B encoder substitutes the first 8 bits of the MAC preamble with a J/K code-group pair (11000 10001) upon transmit. The 4B5B encoder continues to replace subsequent 4B preamble and data nibbles with corresponding 5B code-groups. At the end of the transmit packet, upon the deassertion of the Transmit Enable signal from the MAC Reconciliation layer, the 4B5B encoder injects the T/R code-group pair (01101 00111) indicating the end of frame. After the T/R code-group pair, the 4B5B encoder continuously injects IDLEs into the transmit data stream until Transmit Enable is asserted and the next transmit packet is detected.

The DM9000B includes a Bypass 4B5B conversion option within the 100Base-TX Transmitter for support of applications like 100 Mbps repeaters which do not require 4B5B conversion.

### 9.5.2 Scrambler

The scrambler is required to control the radiated emissions (EMI) by spreading the transmit energy across the frequency spectrum at the media connector and on the twisted pair cable in 100Base-TX operation.

By scrambling the data, the total energy presented to the cable is randomly distributed over a wide frequency range. Without the scrambler, energy levels on the cable could peak beyond FCC limitations at frequencies related to the repeated 5B sequences, like the continuous transmission of IDLE symbols. The scrambler output is combined with the NRZ 5B data from the code-group encoder via an XOR logic function. The result is a scrambled data stream with sufficient randomization to decrease radiated emissions at critical frequencies.

### 9.5.3 Parallel to Serial Converter

The Parallel to Serial Converter receives parallel 5B scrambled data from the scrambler, and serializes it (converts it from a parallel to a serial data stream). The serialized data stream is then presented to the NRZ to NRZI encoder block.

### 9.5.4 NRZ to NRZI Encoder

After the transmit data stream has been scrambled and serialized, the data must be NRZI encoded for compatibility with the TP-PMD standard, for 100Base-TX transmission over Category-5 unshielded twisted pair cable.

### 9.5.5 MLT-3 Converter

The MLT-3 conversion is accomplished by converting the data stream output, from the NRZI encoder into two binary data streams, with alternately phased logic One event.

### 9.5.6 MLT-3 Driver

The two binary data streams created at the MLT-3 converter are fed to the twisted pair output driver, which converts these streams to current sources and alternately drives either side of the transmit transformer's primary winding, resulting in a minimal current MLT-3 signal.

**9.5.7 4B5B Code Group**

Symbol	Meaning	4B code 3210	5B Code 43210
0	Data 0	0000	11110
1	Data 1	0001	01001
2	Data 2	0010	10100
3	Data 3	0011	10101
4	Data 4	0100	01010
5	Data 5	0101	01011
6	Data 6	0110	01110
7	Data 7	0111	01111
8	Data 8	1000	10010
9	Data 9	1001	10011
A	Data A	1010	10110
B	Data B	1011	10111
C	Data C	1100	11010
D	Data D	1101	11011
E	Data E	1110	11100
F	Data F	1111	11101
I	Idle	undefined	11111
J	SFD (1)	0101	11000
K	SFD (2)	0101	10001
T	ESD (1)	undefined	01101
R	ESD (2)	undefined	00111
H	Error	undefined	00100
V	Invalid	undefined	00000
V	Invalid	undefined	00001
V	Invalid	undefined	00010
V	Invalid	undefined	00011
V	Invalid	undefined	00101
V	Invalid	undefined	00110
V	Invalid	undefined	01000
V	Invalid	undefined	01100
V	Invalid	undefined	10000
V	Invalid	undefined	11001

**Table 1**

## 9.6 100Base-TX Receiver

The 100Base-TX receiver contains several function blocks that convert the scrambled 125Mb/s serial data to synchronous 4-bit nibble data.

The receive section contains the following functional blocks:

- Signal Detect
- Digital Adaptive Equalization
- MLT-3 to Binary Decoder
- Clock Recovery Module
- NRZI to NRZ Decoder
- Serial to Parallel
- Descrambler
- Code Group Alignment
- 4B5B Decoder

### 9.6.1 Signal Detect

The signal detects function meets the specifications mandated by the ANSI XT12 TP-PMD 100Base-TX standards for both voltage thresholds and timing parameters.

### 9.6.2 Adaptive Equalization

When transmitting data over copper twisted pair cable at high speed, attenuation based on frequency becomes a concern. In high speed twisted pair signaling, the frequency content of the transmitted signal can vary greatly during normal operation based on the randomness of the scrambled data stream. This variation in signal attenuation, caused by frequency variations, must be compensated for to ensure the integrity of the received data. In order to ensure quality transmission when employing MLT-3 encoding, the compensation must be able to adapt to various cable lengths and cable types depending on the installed environment. The selection of long cable lengths for a given implementation requires significant compensation, which will be over-killed in a situation that includes shorter, less attenuating cable lengths. Conversely, the selection of short or intermediate cable lengths requiring less compensation will cause serious under-compensation for longer length cables. Therefore, the compensation or equalization must be adaptive to ensure proper conditioning of the received signal independent of the cable length.

### 9.6.3 MLT-3 to NRZI Decoder

The DM9000B decodes the MLT-3 information from the Digital Adaptive Equalizer into NRZI data.

### 9.6.4 Clock Recovery Module

The Clock Recovery Module accepts NRZI data from the MLT-3 to NRZI decoder. The Clock Recovery Module locks onto the data stream and extracts the 125 MHz reference clock. The extracted and synchronized clock and data are presented to the NRZI to NRZ decoder.

### 9.6.5 NRZI to NRZ

The transmit data stream is required to be NRZI encoded for compatibility with the TP-PMD standard for 100Base-TX transmission over Category-5 unshielded twisted pair cable. This conversion process must be reversed on the receive end. The NRZI to NRZ decoder, receives the NRZI data stream from the Clock Recovery Module and converts it to a NRZ data stream to be presented to the Serial to Parallel conversion block.

### 9.6.6 Serial to Parallel

The Serial to Parallel Converter receives a serial data stream from the NRZI to NRZ converter. It converts the data stream to parallel data to be presented to the descrambler.

### 9.6.7 Descrambler

Because of the scrambling process requires to control the radiated emissions of transmit data streams, the receiver must descramble the receive data streams. The descrambler receives scrambled parallel data streams from the Serial to Parallel converter, and it descrambles the data streams, and presents the data streams to the Code Group alignment block.



### 9.6.8 Code Group Alignment

The Code Group Alignment block receives un-aligned 5B data from the descrambler and converts it into 5B code group data. Code Group Alignment occurs after the J/K is detected, and subsequent data is aligned on a fixed boundary.

### 9.6.9 4B5B Decoder

The 4B5B Decoder functions as a look-up table that translates incoming 5B code groups into 4B (Nibble) data. When receiving a frame, the first 2 5-bit code groups receive the start-of-frame delimiter (J/K symbols). The J/K symbol pair is stripped and two nibbles of preamble pattern are substituted. The last two code groups are the end-of-frame delimiter (T/R Symbols).

The T/R symbol pair is also stripped from the nibble, presented to the Reconciliation layer.

### 9.7 10Base-T Operation

The 10Base-T transceiver is IEEE 802.3u compliant. When the DM9000B is operating in 10Base-T mode, the coding scheme is Manchester. Data processed for transmit is presented in nibble format, converted to a serial bit stream, then the Manchester encoded. When receiving, the bit stream, encoded by the Manchester, is decoded and converted into nibble format.

### 9.8 Collision Detection

For half-duplex operation, a collision is detected when the transmit and receive channels are active simultaneously. Collision detection is disabled in full duplex operation.

### 9.9 Carrier Sense

Carrier Sense (CRS) is asserted in half-duplex operation during transmission or reception of data. During full-duplex mode, CRS is asserted only during Receive operations.

### 9.10 Auto-Negotiation

The objective of Auto-negotiation is to provide a means to exchange information between linked devices and to automatically configure both devices to take maximum advantage of their abilities. It is important to note that Auto-negotiation does not test the characteristics of the linked segment. The Auto-Negotiation function provides a means for a device to advertise supported modes of operation to a remote link partner, acknowledge the receipt and understanding of common modes of operation, and to reject un-shared modes of operation. This allows devices on both ends of a segment to establish a link at the best common mode of operation. If more than one common mode exists between the two devices, a mechanism is provided to allow the devices to resolve to a single mode of operation using a predetermined priority resolution function.

Auto-negotiation also provides a parallel detection function for devices that do not support the Auto-negotiation feature. During Parallel detection there is no exchange of information of configuration. Instead, the receive signal is examined. If it is discovered that the signal matches a technology, which the receiving device supports, a connection will be automatically established using that technology. This allows devices not to support Auto-negotiation but support a common mode of operation to establish a link.

**9.11 Power Reduced Mode**

The Signal detect circuit is always turned to monitor whether there is any signal on the media (cable disconnected). The DM9000B automatically turns off the power and enters the Power Reduced mode, whether its operation mode is N-way or force mode. When enters the Power Reduced mode, the transmit circuit still sends out fast link pulses with minimum power consumption. If a valid signal is detected from the media, which might be N-ways fast link pulses, 10Base-T normal link pulse, or 100Base-TX MLT3 signals, the device will wake up and resume a normal operation mode.

That can be writing Zero to PHY Reg. 16.4 to disable Power Reduced mode.

**9.11.1 Power down Mode**

The PHY Reg.0.11 can be set high to enter the Power Down mode, which disables all transmit and receive functions, except the access of PHY registers.

**9.11.2 Reduced Transmit Power Mode**

The additional Transmit power reduction can be gained by designing with 1.25:1 turns ratio magnetic on its TX side and using a 8.5K $\Omega$  resistor on BGRES and AGND pins, and the TXO+/TXO- pulled high resistors should be changed from 50 $\Omega$  to 78 $\Omega$ . This configuration could be reduced about 20% transmit power.

## 10. DC and AC Electrical Characteristics

### 10.1 Absolute Maximum Ratings ( 25°C )

Symbol	Parameter	Min.	Max.	Unit	Conditions
DVDD	Supply Voltage	-0.3	3.6	V	
VIN	DC Input Voltage (VIN)	-0.5	5.5	V	
VOUT	DC Output Voltage(VOUT)	-0.3	3.6	V	
Tstg	Storage Temperature range	-65	+150	°C	
TA	Ambient Temperature	0	+70	°C	
LT	Lead Temperature (TL,soldering,10 sec.).	—	+260	°C	DM9000BEP

### 10.1.1 Operating Conditions

Symbol	Parameter	Min.	Typ.	Max.	Unit	Conditions
DVDD	Supply Voltage	3.135	3.300	3.465	V	
Pd (Power Dissipation)	100BASE-TX	---	130	---	mA	3.3V
	10BASE-T TX	---	170	---	mA	3.3V
	10BASE-T TX (100% utilization)	---	160	---	mA	3.3V,power saving
	10BASE-T idle	---	60	---	mA	3.3V,power saving
	Auto-negotiation	---	60	---	mA	3.3V
	Power Down Mode	---	20	---	mA	3.3V
	Power Down Mode (system clock off)	---	6	---	mA	3.3V

### 10.2 DC Electrical Characteristics (VDD = 3.3V)

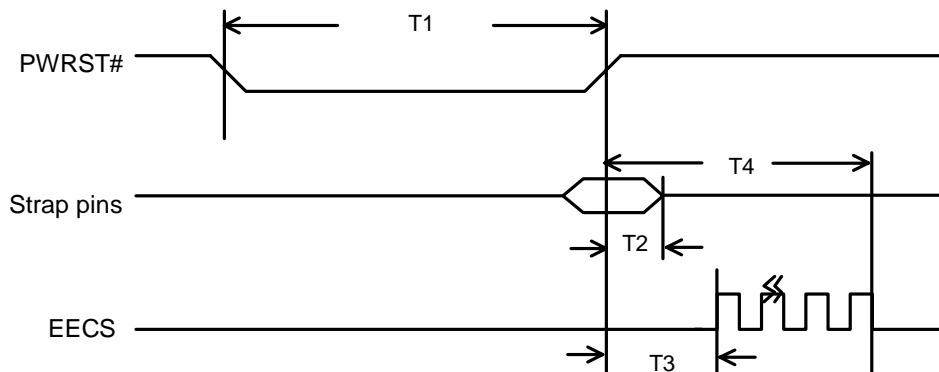
Symbol	Parameter	Min.	Typ.	Max.	Unit	Conditions
<b>Inputs</b>						
VIL	Input Low Voltage	-	-	0.8	V	
VIH	Input High Voltage	2.0	-	-	V	
IIL	Input Low Leakage Current	-1	-	-	uA	VIN = 0.0V
IiH	Input High Leakage Current	-	-	1	uA	VIN = 3.3V
<b>Outputs</b>						
VOL	Output Low Voltage	-	-	0.4	V	IOL = 4mA
VOH	Output High Voltage	2.4	-	-	V	IOH = -4mA
<b>Receiver</b>						
VICM	RX+/RX- Common Mode Input Voltage	-	1.8	-	V	100 Ω Termination Across
<b>Transmitter</b>						
VTD100	100TX+/- Differential Output Voltage	1.9	2.0	2.1	V	Peak to Peak
VTD10	10TX+/- Differential Output Voltage	4.4	5	5.6	V	Peak to Peak
ITD100	100TX+/- Differential Output Current	19	20	21	mA	Absolute Value
ITD10	10TX+/- Differential Output Current	44	50	56	mA	Absolute Value

**10.3 AC Electrical Characteristics & Timing Waveforms**
**10.3.1 TP Interface**

Symbol	Parameter	Min.	Typ.	Max.	Unit	Conditions
t <sub>TR/F</sub>	100TX+/- Differential Rise/Fall Time	3.0	-	5.0	ns	
t <sub>TM</sub>	100TX+/- Differential Rise/Fall Time Mismatch	0	-	0.5	ns	
t <sub>TDC</sub>	100TX+/- Differential Output Duty Cycle Distortion	0	-	0.5	ns	
T <sub>t/T</sub>	100TX+/- Differential Output Peak-to-Peak Jitter	0	-	1.4	ns	
X <sub>OST</sub>	100TX+/- Differential Voltage Overshoot	0	-	5	%	

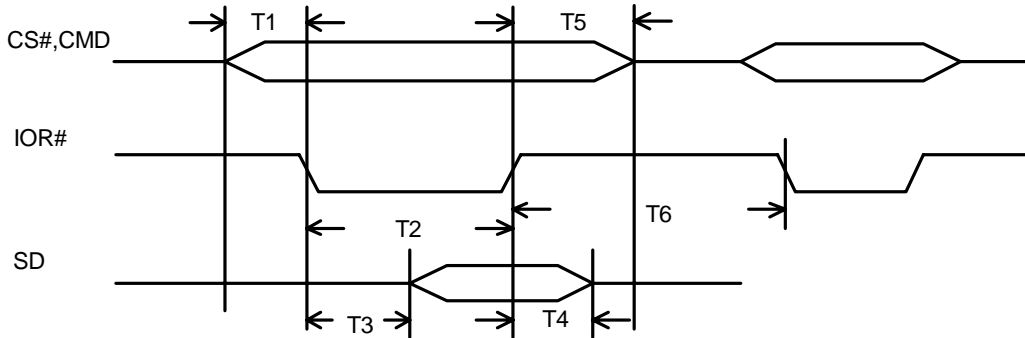
**10.3.2 Oscillator/Crystal Timing**

Symbol	Parameter	Min.	Typ.	Max.	Unit	Conditions
T <sub>CKC</sub>	OSC Clock Cycle	39.9988	40	40.0012	ns	30ppm
T <sub>PWH</sub>	OSC Pulse Width High	16	20	24	ns	
T <sub>PWL</sub>	OSC Pulse Width Low	16	20	24	ns	

**10.3.3 Power On Reset Timing**


Symbol	Parameter	Min.	Typ.	Max.	Unit	Conditions
T1	PWRST# Low Period	1	-	-	ms	-
T2	Strap pin hold time with PWRST#	40	-	-	ns	-
T3	PWRST# high to EECS high	-	11.31	-	us	
T4	PWRST# high to EECS burst end	-	--	3	ms	

Note: The DM9000B needs the time about 3ms to down load the setting from EEPROM after PWRST# deasserted, During the period, the CS# pin is not recognized even no EEPROM present. So, please note that processor only access DM9000B after PWRST# deasserted 3ms.

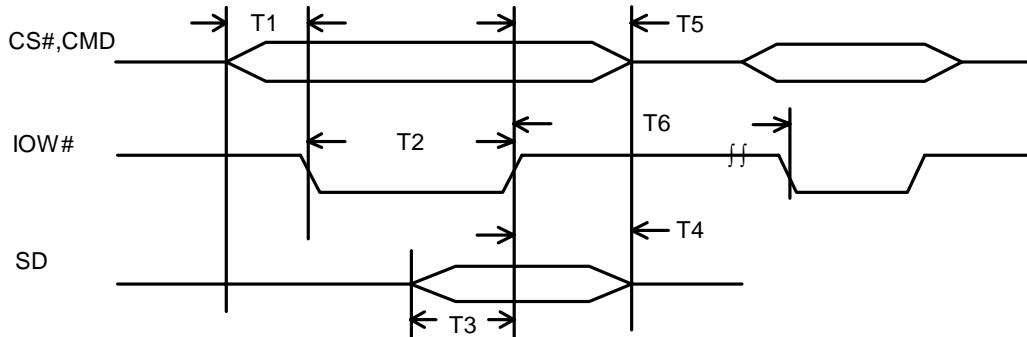
**10.3.4 Processor I/O Read Timing**


Symbol	Parameter	Min.	Typ.	Max.	Unit
T1	CS#,CMD valid to IOR# valid	0			ns
T2	IOR# width	20			ns
T3	System Data(SD) Delay time			19	ns *1
T4	IOR# invalid to System Data(SD) invalid	2			ns
T5	IOR# invalid to CS#,CMD invalid	0			ns
T6	IOR# invalid to next IOR#/IOW# valid When read DM9000B register	2			Clk *2
T2+T6	IOR# valid to next IOR#/IOW# valid When read DM9000B memory with F0h register	4			Clk *2
T2+T6	IOR# valid to next IOR#/IOW# valid When read DM9000B memory with F2h register	1			Clk *2

**\*Note :**

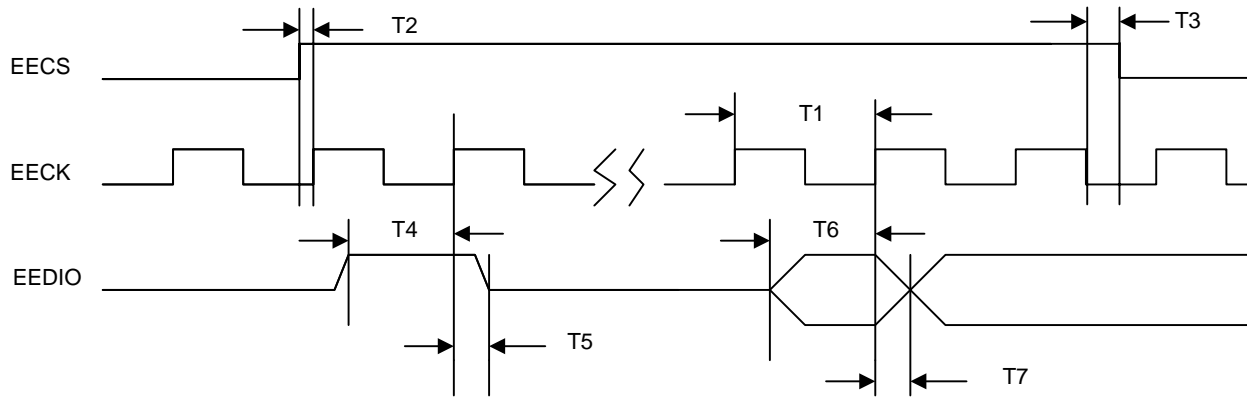
\*1: 19ns for bus driving 2mA, 12ns for 4mA, 10ns for 6mA, 10ns for 8mA.

\*2: The Default clock period is 20ns

**10.3.5 Processor I/O Write Timing**


Symbol	Parameter	Min.	Typ.	Max.	Unit
T1	CS#,CMD valid to IOW# valid	0			ns
T2	IOW# Width	10			ns
T3	System Data(SD) Setup Time	10			ns
T4	System Data(SD) Hold Time	3			ns
T5	IOW# Invalid to CS#,CMD Invalid	0			ns
T6	IOW# Invalid to next IOW#/IOR# valid When write DM9000B INDEX port	1			clk*
T6	IOW# Invalid to next IOW#/IOR# valid When write DM9000B DATA port	2			clk*
T2+T6	IOW# valid to next IOW#/IOR# valid When write DM9000B memory	1			clk*

**Note :** (The default clk period is 20ns)

**10.3.6 EEPROM Interface Timing**


Symbol	Parameter	Min.	Typ.	Max.	Unit
T1	EECK Frequency		0.375		MHz
T1	EECK Frequency, if PHYceiver is power-down		0.094		MHz
T2	EECS Setup Time		500		ns
T3	EECS Hold Time		833		ns
T4	EEDIO Setup Time when output		480		ns
T5	EEDIO Hold Time when output		2200		ns
T6	EEDIO Setup Time when input	8			ns
T7	EEDIO Hold Time when input	8			ns

## 11. Application Notes

### 11.1 Network Interface Signal Routing

Place the transformer as close as possible to the RJ-45 connector. Place all the 50Ω resistors as close as possible to the DM9000B RXI± and TXO± pins. Traces routed from RXI± and TXO± to the transformer should run in close pairs directly to the transformer. The designer should be careful not to cross the transmit and receive pairs. As always, vias should be avoided as much as possible. The network interface should be void of any signals other than the TXO± and RXI± pairs between the RJ-45 to the transformer and the transformer to the DM9000B. There should be no power or ground planes in the area under the network side

of the transformer to include the area under the RJ-45 connector. (Refer to Figure 11-4 and 11-5) Keep chassis ground away from all active signals. The RJ-45 connector and any unused pins should be tied to chassis ground through a resistor divider network and a 2KV bypass capacitor.

The Band Gap resistor should be placed as physically close as pins 1 and 48 as possible (refer to Figure 11-1 and 11-2). The designer should not run any high-speed signal near the Band Gap resistor placement.

### 11.2 10Base-T/100Base-TX Auto MDIX Application

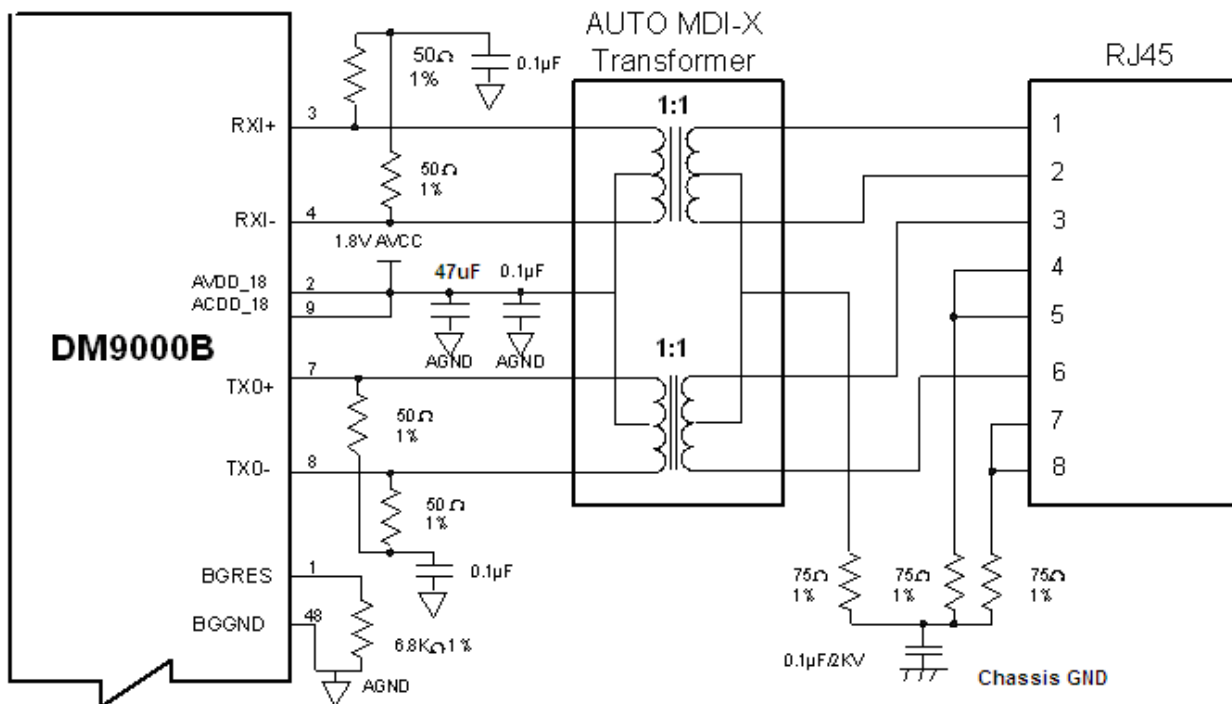
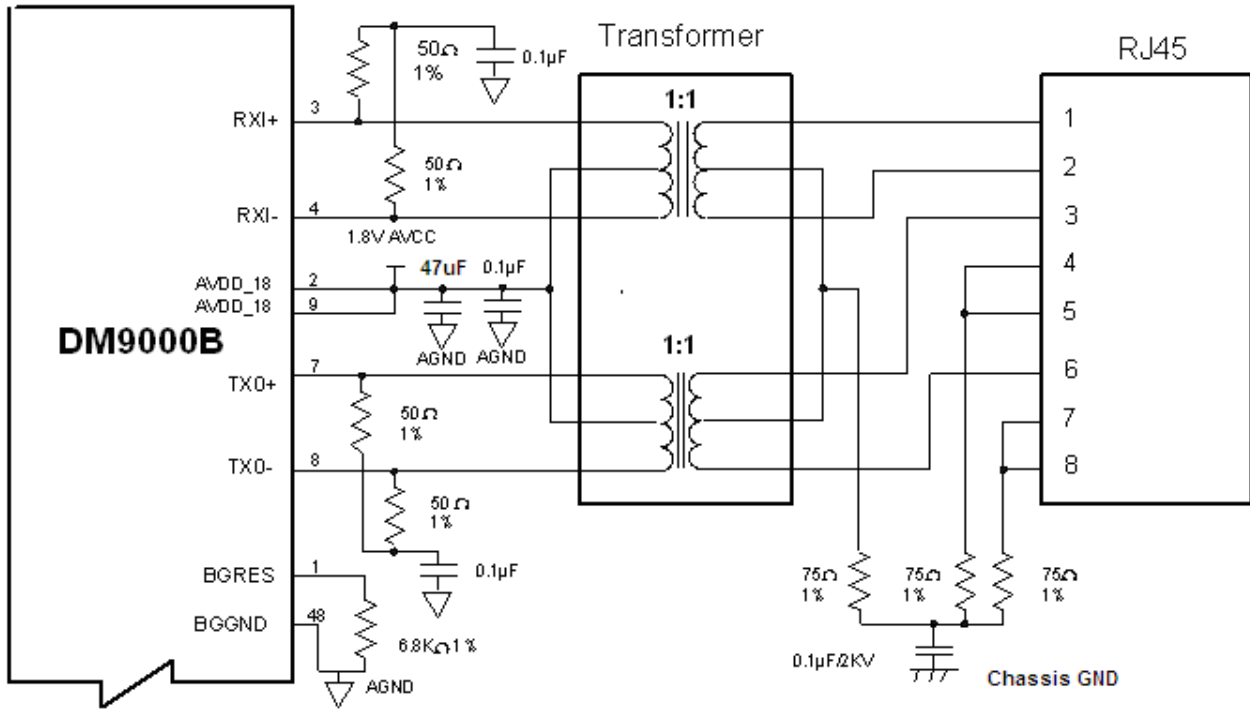


Figure 11-1 Auto MDIX Application



**11.3 10Base-T/100Base-TX ( Non Auto MDIX Transformer Application )**

**Figure 11-2 Non Auto MDIX Transformer Application**

### 11.4 Power Decoupling Capacitors

Davicom Semiconductor recommends placing all the decoupling capacitors for all power supply pins as close as possible to the power pads of the DM9000B (The best placed distance is < 3mm from pin). The recommended decoupling capacitor is 0.1 $\mu$ F or 0.01 $\mu$ F, as required by the design layout.

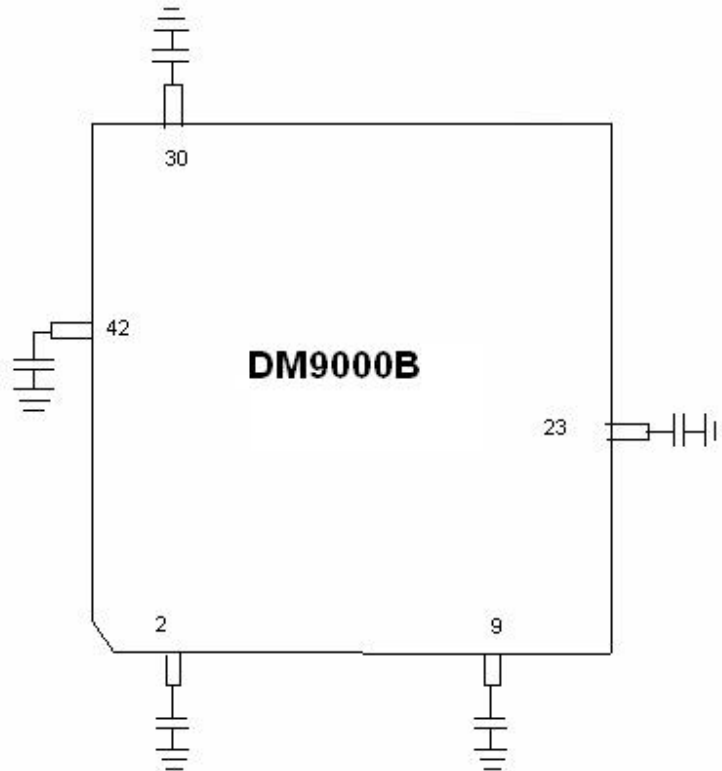


Figure 3

Figure 11-3 Power Decoupling Capacitors

**11.5 Ground Plane Layout**

Davicom Semiconductor recommends a single ground plane approach to minimize EMI. Ground plane partitioning can cause increased EMI emissions that could make the network interface card not comply with specific FCC

regulations (part 15). Figure 11-4 shows a recommended ground layout scheme.

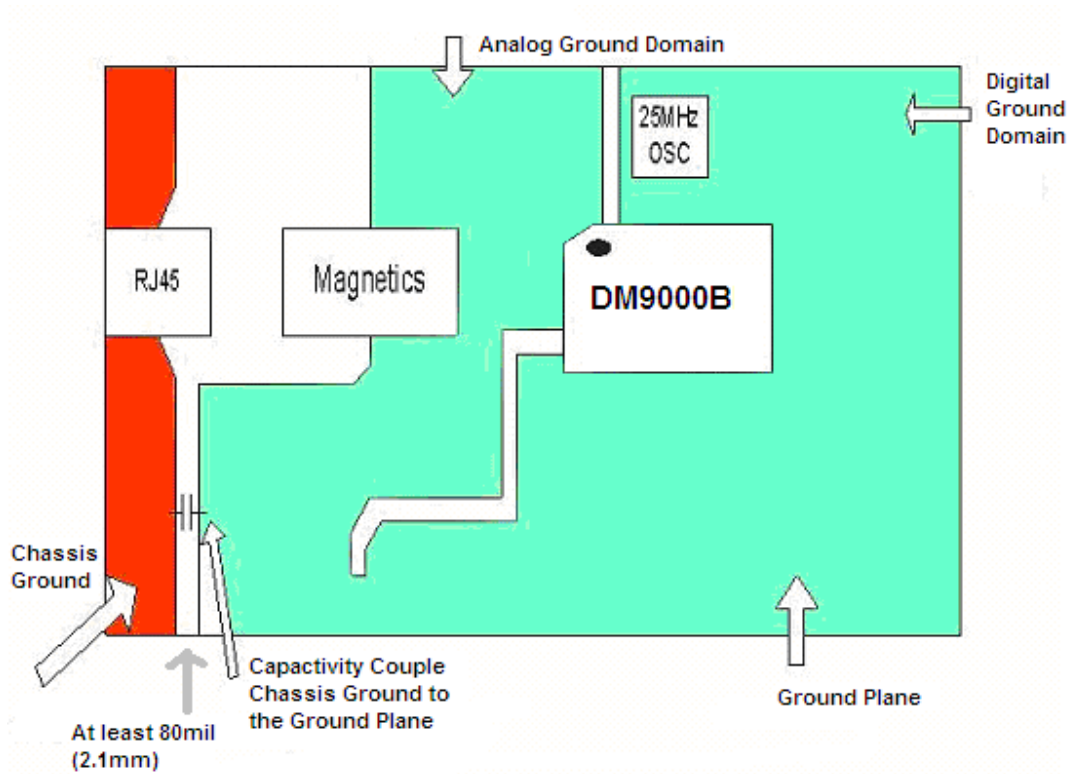
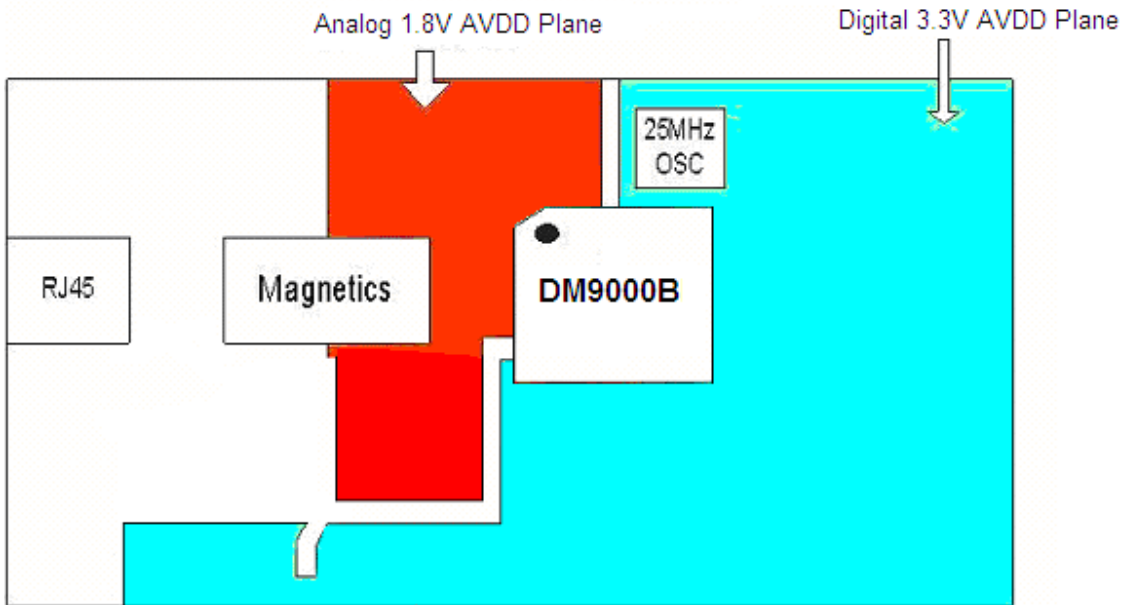


Figure 4

Figure 11-4 Ground Plane Layout

### 11.6 Power Plane Partitioning

The power planes should be approximately illustrated in Figure 11-5.



**Figure 11-5 Power Plane Partitioning**

**11.7 Magnetic Selection Guide**

Refer to Table 2 for transformer requirements. Transformers, meeting these requirements, are available from a variety of magnetic manufacturers. Designers should test and qualify all magnetic before using them in an application. The transformers listed in Table 2 are electrical equivalents, but may not be

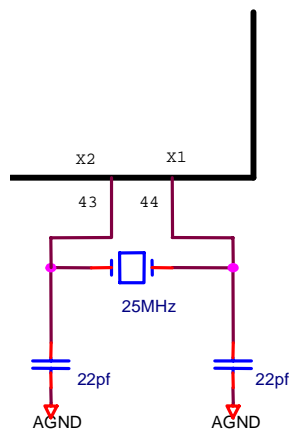
pin-to-pin equivalents. Designers should test and qualify all magnetic specifications before using them in an application. RoHS regulations, please contact with your magnetic vendor, this table only for you reference

Manufacturer	Part Number
Pulse Engineering	PE-68515, H1102
YCL	PH163112, PH163539
DELTA	LFE8505-DC , LFE8563-DC, LFE8583-DC
GTS	FC-618SM
MACOM	HS9016, HS9024

**Table 2**
**11.8 Crystal Selection Guide**

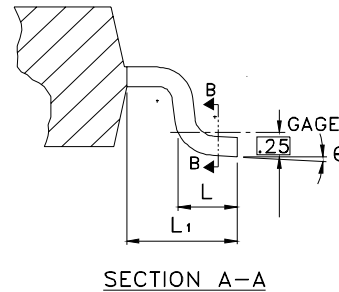
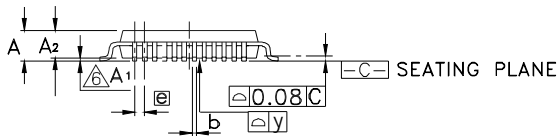
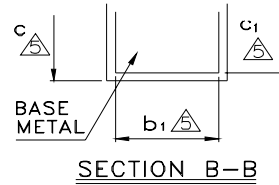
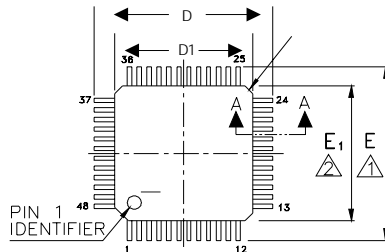
A crystal can be used to generate the 25MHz reference clock instead of an oscillator. The crystal must be a fundamental type, and series-resonant.

Connects to pins X1 and X2, and shunts each crystal lead to ground with a 22pf capacitor (see figure 11-6).


**Figure 11-6  
Crystal Circuit Diagram**

**12. Package Information**  
**LQFP 48L (F.P. 2mm) Outline Dimensions**

unit: inches/mm



Symbol	Dimensions in inches			Dimensions in mm		
	Min.	Nom.	Max.	Min.	Nom.	Max.
A	-	-	0.063	-	-	1.60
A1	0.002	-	0.006	0.05	-	0.15
A2	0.053	0.055	0.057	1.35	1.40	1.45
b	0.007	0.009	0.011	0.17	0.22	0.27
b1	0.007	0.008	0.009	0.17	0.20	0.23
C	0.004	-	0.008	0.09	-	0.20
C1	0.004	-	0.006	0.09	-	0.16
D	0.354BSC			9.00BSC		
D1	0.276BSC			7.00BSC		
E	0.354BSC			9.00BSC		
E1	0.276BSC			7.00BSC		
$\text{\textcircled{e}}$	0.020BSC			0.50BSC		
L	0.018	0.024	0.030	0.45	0.60	0.75
L1	0.039REF			1.00REF		
y	0.003MAX			0.08MAX		

**Notes:**

- To be determined at seating plane.
- Dimensions D1 and E 1do not include mold protrusion. D1 and E1 are maximum plastic body size dimensions including mold mismatch.
- Dimensions b does not include dambar protrusion. Total in excess of the b dimension at maximum material condition. Dambar cannot be located on the lower radius of the foot.
- Exact shape of each corner is optional.
- These dimensions apply to the flat section of the lead between 0.10mm and 0.25mm from the lead tip.
- A1 is defined as the distance from the seating plane to the lowest point of the package body.
- Controlling dimension: millimeter.
- Reference documents: JEDEC MS-026, BBC.

### 13. Ordering Information

Part Number	Pin Count	Package
DM9000BEP	48	LQFP (Pb-Free)

#### Disclaimer

The information appearing in this publication is believed to be accurate. Integrated circuits sold by DAVICOM Semiconductor are covered by the warranty and patent indemnification provisions stipulated in the terms of sale only. DAVICOM makes no warranty, express, statutory, implied or by description regarding the information in this publication or regarding the information in this publication or regarding the freedom of the described chip(s) from patent infringement. FURTHER, DAVICOM MAKES NO WARRANTY OF MERCHANTABILITY OR FITNESS FOR ANY PURPOSE. DAVICOM reserves the right to halt production or alter the specifications and prices at any time without notice. Accordingly, the reader is cautioned to verify that the data sheets and other information in this publication are current before placing orders. Products described herein are intended for use in normal commercial applications. Applications involving unusual environmental or reliability requirements, e.g. military equipment or medical life support equipment, are specifically not recommended without additional processing by DAVICOM for such applications. Please note that

application circuits illustrated in this document are for reference purposes only.

DAVICOM's terms and conditions printed on the order acknowledgment govern all sales by DAVICOM. DAVICOM will not be bound by any terms inconsistent with these unless DAVICOM agrees otherwise in writing. Acceptance of the buyer's orders shall be based on these terms.

#### Company Overview

DAVICOM Semiconductor Inc. develops and manufactures integrated circuits for integration into data communication products. Our mission is to design and produce IC products that are the industry's best value for Data, Audio, Video, and Internet/Intranet applications. To achieve this goal, we have built an organization that is able to develop chipsets in response to the evolving technology requirements of our customers while still delivering products that meet their cost requirements.

#### Products

We offer only products that satisfy high performance requirements and which are compatible with major hardware and software standards. Our currently available and soon to be released products are based on our proprietary designs and deliver high quality, high performance chipsets that comply with modem communication standards and Ethernet networking standards.

#### Contact Windows

For additional information about DAVICOM products, contact the Sales department at:

##### Headquarters

##### Hsin-chu Office:

No.6 Li-Hsin Rd. VI,  
Science-based Industrial Park,  
Hsin-chu City, Taiwan, R.O.C.  
TEL: +886-3-5798797  
FAX: +886-3-5646929  
MAIL: [sales@davicom.com.tw](mailto:sales@davicom.com.tw)  
HTTP: <http://www.davicom.com.tw>

##### WARNING

Conditions beyond those listed for the absolute maximum may destroy or damage the products. In addition, conditions for sustained periods at near the limits of the operating ranges will stress and may temporarily (and permanently) affect and damage structure, performance and function.