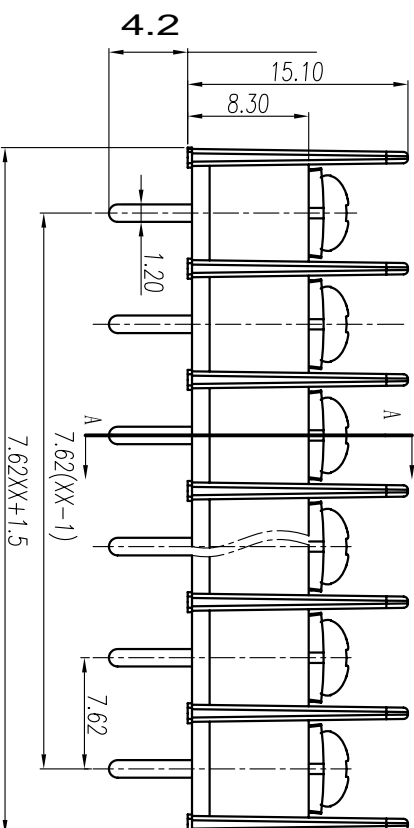
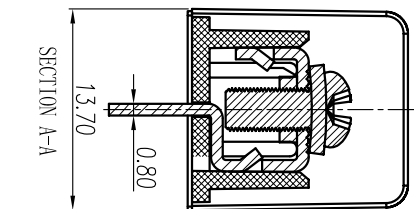
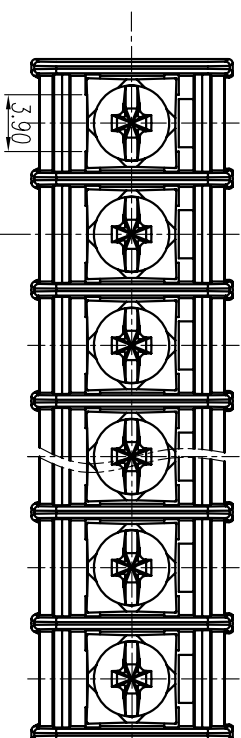
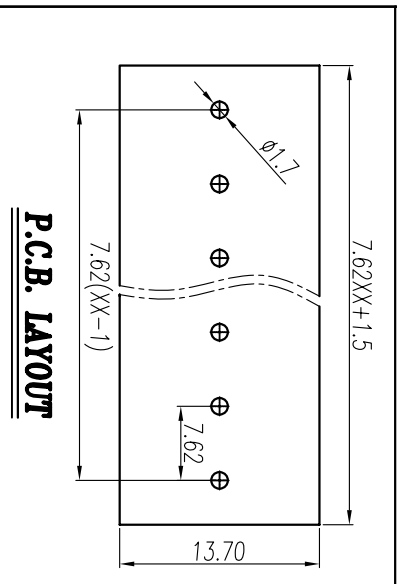




# Cixi Dibo Electronics Co., LTD

产品规格书  
product specification

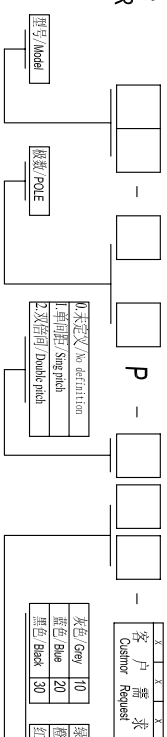


电气性能/Electrical  
 参考标准: Standard: UL IEC  
 额定电压/Rated voltage: 300V 450V  
 额定电流/Rated current: 15A 17.5A  
 使用线径/Wire range: 22-14AWG 1.5mm<sup>2</sup>  
 耐电压/Withstanding voltage: AC2000V/1Min  
 绝缘电阻/Insulation resistance: 500MΩ/DC500V

机械性能/Mechanical  
 扭矩/Torque: 0.5Nm(4.5lb.in)  
 温度范围/Temp Range: -40°C~+105°C

尺寸/Dimensions  
 间距/Pitch: 7.62mm  
 极数/Poles: 2p-20p  
 材料及电镀/Material  
 塑件/Housing: PA66, UL94V-0  
 螺丝/Screws: M3, steel, Ni Plated  
 焊脚/Pin header: Brass, Tin plated

订购方式:  
HOW TO ORDER



客户需求 Customer Request	
灰色/Grey	10
蓝色/Blue	20
黑色/Black	30
绿色/Green	40
棕色/Brown	50
红色/Red	60
透明/Transparent	70
黄色/Yellow	80
白色/White	90

variable range	linear dimension(Tolerances Standard GB/T 14486-2008)															
	over 6 to 10	over 10 to 18	over 18 to 30	over 30 to 50	over 50 to 80	over 80 to 120	over 120 to 160	over 160 to 200	over 200 to 250	over 250 to all	over 5 to 30	over 30 to 120	over 120 to 120			
tolerance	±0.1	±0.14	±0.19	±0.25	±0.32	±0.43	±0.57	±0.72	±0.88	±1.05	±1.25	0.5	0.025	0.06	0.12	0.4

单位/UNITS	mm	尺寸/SIZE	A4	比例/SCALE	比例
Cixi Dibo Electronics Co., LTD					
名称/NAME	DBT30C-7.62				

