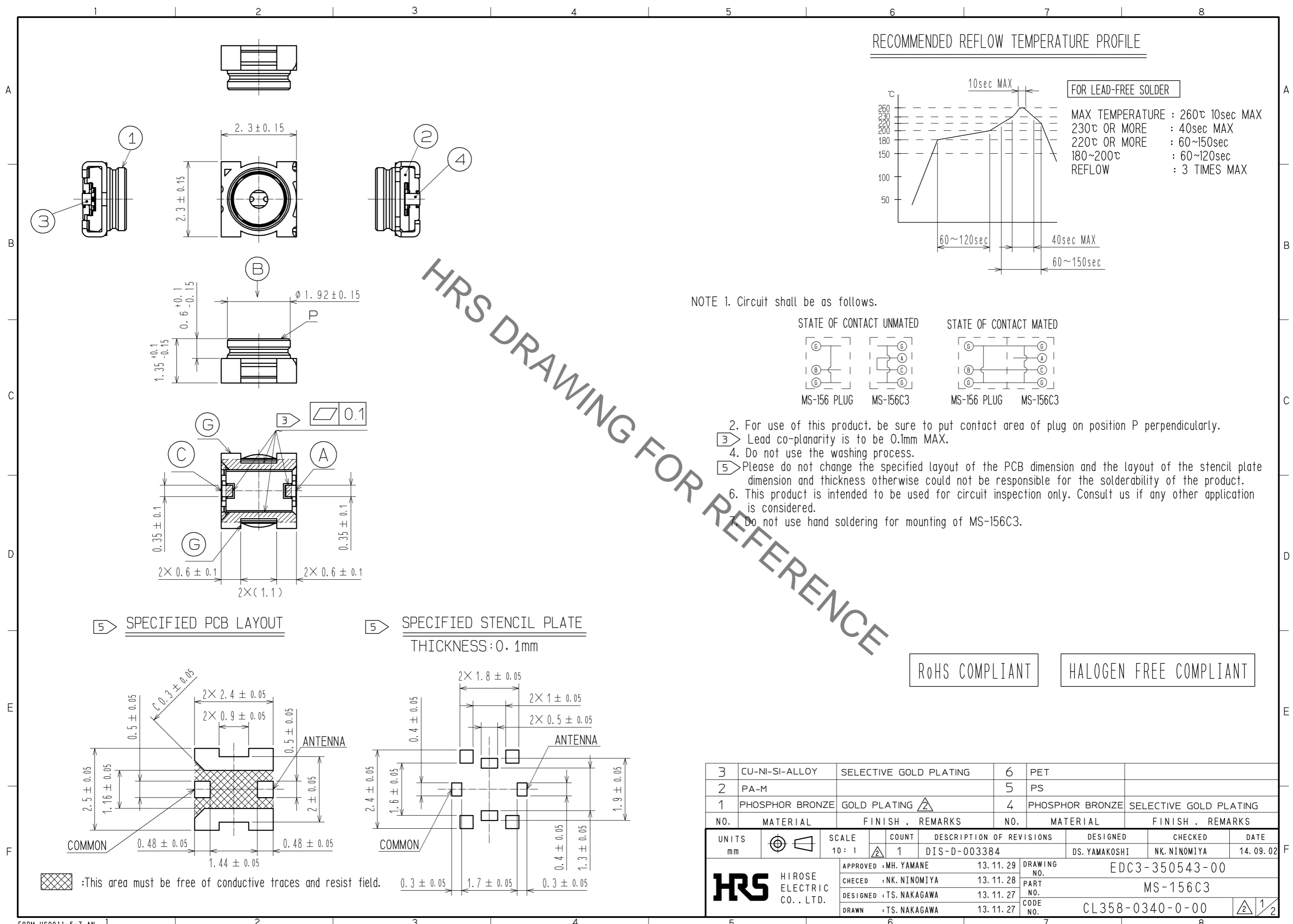
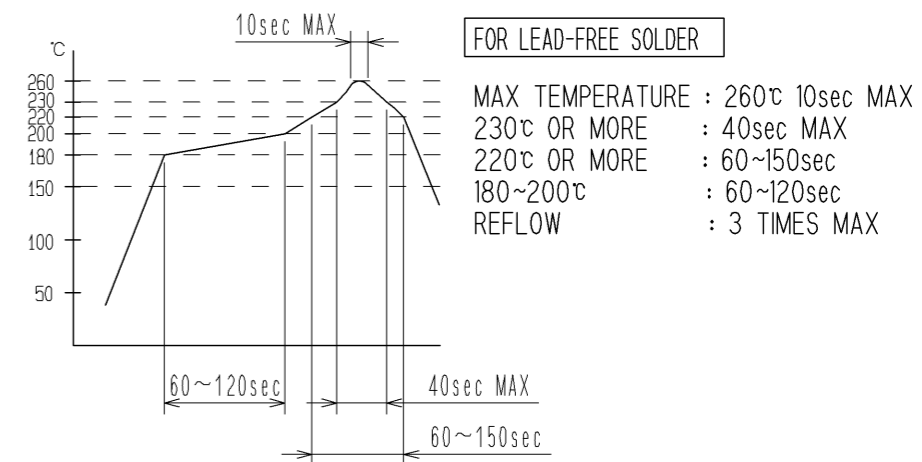


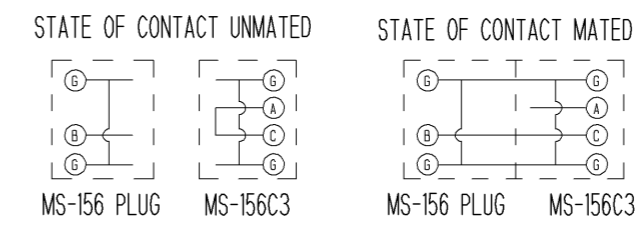
Sep.1.2019 Copyright 2019 HIROSE ELECTRIC CO., LTD. All Rights Reserved.
In case of consideration for using Automotive equipment / device which demand high reliability, kindly contact our sales window correspondents.



RECOMMENDED REFLOW TEMPERATURE PROFILE



NOTE 1. Circuit shall be as follows.



2. For use of this product, be sure to put contact area of plug on position P perpendicularly.
3. Lead co-planarity is to be 0.1mm MAX.
4. Do not use the washing process.
5. Please do not change the specified layout of the PCB dimension and the layout of the stencil plate dimension and thickness otherwise could not be responsible for the solderability of the product.
6. This product is intended to be used for circuit inspection only. Consult us if any other application is considered.
7. Do not use hand soldering for mounting of MS-156C3.

5 SPECIFIED PCB LAYOUT

5 SPECIFIED STENCIL PLATE THICKNESS: 0.1mm

RoHS COMPLIANT

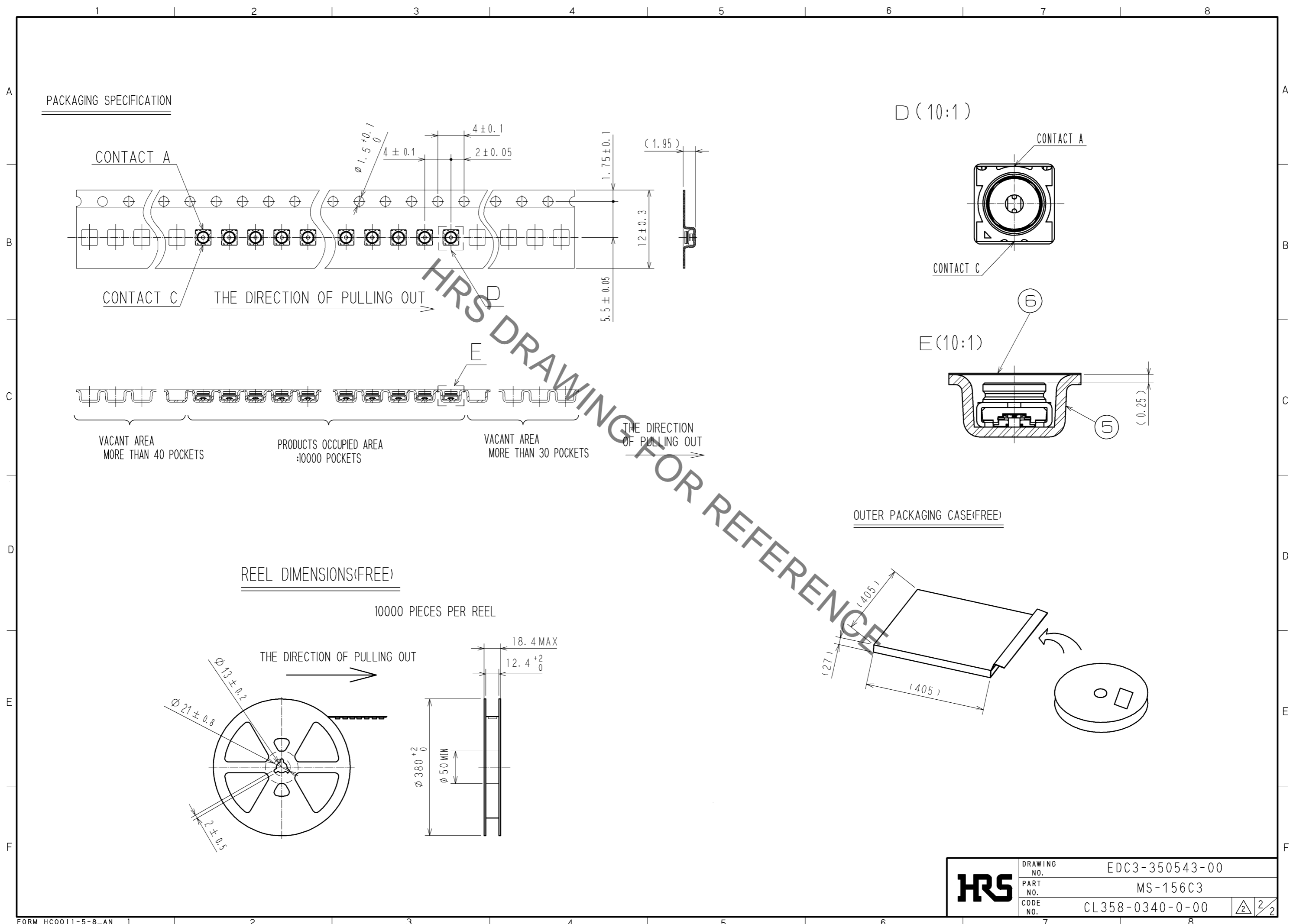
HALOGEN FREE COMPLIANT

NO.	MATERIAL	FINISH	REMARKS	NO.	MATERIAL	FINISH	REMARKS
3	CU-NI-SI-ALLOY	SELECTIVE GOLD PLATING		6	PET		
2	PA-M			5	PS		
1	PHOSPHOR BRONZE	GOLD PLATING		4	PHOSPHOR BRONZE	SELECTIVE GOLD PLATING	

UNITS	SCALE	COUNT	DESCRIPTION OF REVISIONS	DESIGNED	CHECKED	DATE
mm	10:1	1	DIS-D-003384	DS. YAMAKOSHI	NK. NINOMIYA	14.09.02

HRS HIROSE ELECTRIC CO., LTD.	APPROVED : MH. YAMANE	13.11.29	DRAWING NO.	EDC3-350543-00
	CHECED : NK. NINOMIYA	13.11.28	PART NO.	MS-156C3
	DESIGNED : TS. NAKAGAWA	13.11.27	CODE NO.	CL358-0340-0-00
	DRAWN : TS. NAKAGAWA	13.11.27		

Sep.1.2019 Copyright 2019 HIROSE ELECTRIC CO., LTD. All Rights Reserved.
 In case of consideration for using Automotive equipment / device which demand high reliability, kindly contact our sales window correspondents.



HRS	DRAWING NO.	EDC3-350543-00
	PART NO.	MS-156C3
	CODE NO.	CL358-0340-0-00
		\triangle 2/2